



## ACCESSORIES

**DC-1G, DC-2G, DC-3G, DC-4G**  
**DC-1W, DC-2W, DC-3W, DC-4W**  
**Desk Top Chassis**  
(G-Gray, W-White)

## Installation/Operation

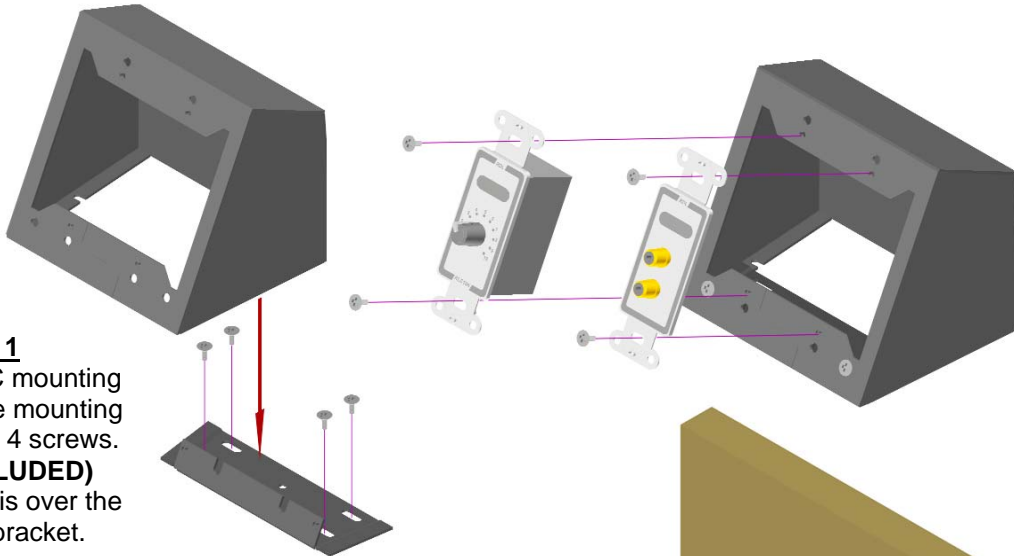


EN55103-1 E1-E5; EN55103-2 E1-E4  
Typical Performance reflects product at publication time  
exclusive of EMC data, if any, supplied with product.  
Specifications are subject to change without notice.

The DC-1, 2, 3 and 4 desk top chassis hold one, two, three or four Decora®-style products, including RDL remote controls and connector plates.

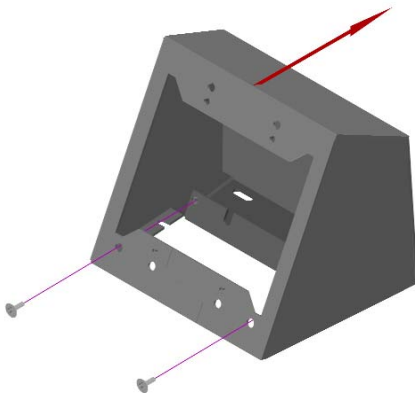
### Step 1

Attach the DC mounting bracket to the mounting surface using 4 screws. **(NOT INCLUDED)** Set the chassis over the mounting bracket.



### Step 2

Slide the chassis over the mounting bracket and secure with the two screws.



The DC can also be mounted to a vertical surface.

