



VX222e

VX222e-Mic

*Professional Stereo
Sound Cards*



User manual

**For technical support,
please contact your system supplier**



Digigram S.A.

82/84 Allée Galilée, 38330 Montbonnot-Saint-Martin, FRANCE
Tel: +33 (0)4 76 52 47 47 • Fax: +33 (0) 4 76 52 18 44 • E-mail: info@digigram.com

Digigram Inc.

2000 North 14th Street - Suite 530, Arlington, VA 22201, USA
Tel: +1 703 875 9100 • Fax: +1 703 875 9161 • E-mail: input@digigram.com

Digigram Asia Pte Ltd.

60 Albert Street - #19-110G Albert Complex Singapore 189969, Singapore
Tel: +65 6291 2234 • Fax: +65 6291 3433 • E-mail: info_asia@digigram.com

Table of Contents

INFORMATION FOR THE USER	5
IMPORTANT NOTICE	5
CONTENTS OF THIS PACKAGE	6
FEATURES	6
VX222e & VX222e-Mic main hardware features	6
Additional hardware features VX222e-Mic	7
Main software features	7
HARDWARE REQUIREMENTS	8
Minimum requirements.....	8
Software requirements.....	8
Supported operating systems.....	8
HARDWARE INSTALLATION	8
Installing the card.....	8
Interrupt and memory address.....	8
SOFTWARE INSTALLATION	9
Standard installation under Windows XP, Server 2003, and Windows Vista.....	9
Parameterizing the ASIO and Wave drivers	11
Removing the driver under Windows XP and Server 2003.....	12
Removing the driver under Windows Vista	12
HOW TO CHECK THE INSTALLATION	12
THE 'DIGIGRAM HARDWARE SETTINGS' ('DHS')	
CONTROL PANEL	14
SPECIFICATIONS	15
Configuration.....	15
Inputs	15
Additional inputs VX222e-Mic	16
Outputs.....	16
Connectors.....	16
Audio specifications.....	17
Analog audio performance.....	17
Sample rate converter performance	17
Analog mono microphone input features VX222e-Mic.....	18
AES42 microphone input features - VX222e-Mic	18
Development environments.....	19

APPENDICES	20
VX222e schematic diagram.....	20
VX222e-Mic schematic diagram	20
Layout.....	21
VX222e - analog cable diagram	22
VX222e-Mic - analog cable diagram.....	22
Wiring diagram - analog cable VX222e.....	23
Wiring diagram - analog cable VX222e.....	23
VX222e - digital cable with GPIOs.....	24
VX222e - digital cable without GPIOs.....	24
Wiring diagram - digital cable with GPIOs (VX222e).....	25
Wiring Diagram - digital cable without GPIOs (VX222e)	25
VX222e-Mic - digital cable with GPIOs.....	26
VX222e-Mic - digital cable without GPIOs.....	26
Wiring diagram - digital cable with GPIOs (VX222e-Mic).....	27
Wiring diagram - digital cable without GPIOs (VX222e-Mic).....	27
VX222e cable pinout.....	28
VX222e-Mic cable pinout.....	28

Warning:

Electrostatic discharge (ESD) can damage several components on the board. To avoid such damage in handling the board, take the following precautions:

Bring the device and everything that contacts it to ground potential by providing a conductive surface and discharge paths. As a minimum, observe these precautions:

- Disconnect all power and signal sources.
- Place the device on a grounded conductive work surface.
- Ground yourself via a grounding wrist strap or by holding a grounded object.
- Ground any tool that will contact the device.



Due to the reduced length of the PCI EXPRESS™ bus connector and the resulting lack of mechanical stability, we strongly advise against transporting the card(s) installed in a computer, unless its chassis or case provides a dedicated support to keep the card securely in place in order to avoid physical damage.

VX222e & VX222e-Mic

User Manual

INFORMATION FOR THE USER

This device complies with part 15 of FCC rules. Operation is subject to the following two conditions: (1) This device may not cause harmful interference, and (2) This device must accept any interference received, including interference that may cause undesired operation.

This equipment has been tested and found to comply with the limits for a CLASS B digital device, pursuant to Part 15 of the FCC Rules. These limits are designed to provide reasonable protection against harmful interference in a residential installation. This equipment generates, uses, and can radiate radio frequency energy and, if not installed and used in accordance with the instructions contained in this data sheet, may cause harmful interference to radio and television communications. However, there is no guarantee that interference will not occur in a particular installation.

If this equipment does cause harmful interference to radio or television reception, which can be determined by turning the equipment off and on, the user is encouraged to try to correct the interference by one or more of the following measures:

- * reorient or relocate the receiving antenna
- * increase the separation between the equipment and the receiver
- * connect the equipment into an outlet on a circuit different from that of the receiver
- * consult the dealer or an experienced audio television technician.

Note: *Connecting this device to peripheral devices that do not comply with CLASS B requirements or using an unshielded peripheral data cable could also result in harmful interference to radio or television reception. The user is cautioned that any changes or modifications not expressly approved by the party responsible for compliance could void the user's authority to operate this equipment. To ensure that the use of this product does not contribute to interference, it is necessary to use shielded I/O cables.*

IMPORTANT NOTICE

This card has been tested and found to comply with the following standards:

- International: CISPR22 Class B.
- Europe: EMC 89/336/CEE (1992) specifications.
- United States: FCC Rules-Part 15-Class B (digital device).

In order to guarantee compliance with the above standards in an installation, the following must be done:

- the provided cable must not be modified.
- additional cables used must have their respective shield connected to each extremity.

CONTENTS OF THIS PACKAGE

Thank you for purchasing a Digigram VX sound card.

The package consists of the following components:

- a VX222e or VX222e-Mic sound card
- the User's Manual at hand.

The end user version additionally includes:

- two breakout cables (analog and digital)
- a CD-Rom with drivers, installation notices, FAQs, etc...
- a registration form

For the OEM version, the cables are available optionally.

FEATURES

VX222e and VX222e-Mic are audio cards for PCI EXPRESS™ (PCIe®) bus. They are in PCI EXPRESS™ x1 format and can thus be plugged into any PCIe® slot (x1, x2, x4, x8, x16, x32).

VX222e & VX222e-Mic main hardware features

- 2 balanced* analog mono line inputs, with software adjustable gain and a maximum input level of +24 dBu
- 2 servo-balanced** analog mono line outputs, with software adjustable gain and a maximum output level of +24 dBu
- 1 AES/EBU*** stereo input
The selection of the digital input for recording excludes the selection of the analog inputs.
It is possible to use the signal on the digital input as reference clock.
- 1 AES/EBU*** stereo output
Always transmits the digital version of the analog outputs 1 and 2.
- 1 LTC (Linear Time Code) input
- 1 mini jack headphone stereo output
This output is in parallel of the analog outputs 1 and 2.
- 2 General Purpose inputs and 2 outputs (GPIOs)
- Inter-card synchronization connector

* can be used with unbalanced signals

** electronically servo-balanced outputs provide automatic level adjustment to accommodate either balanced or unbalanced lines

*** can be used as S/PDIF interface as well

VX222e & VX222e-Mic

User Manual

Additional hardware features VX222e-Mic

- 1 analog microphone input with
 - high-quality preamplifier
 - switchable 48 V phantom power
 - analog expander/compressor/limiterThis input is mixed with the two line inputs before A/D conversion.
- 1 AES/EBU Sync input*
- The AES/EBU input is AES42 compatible (for connecting digital microphone) and features a hardware sample rate converter* (*for details see chapter 'Specifications'*)

The two AES/EBU inputs on the VX222e-Mic allow:

- recording of a digital signal on the AES/EBU data input; this input is also used as source of synchronization with a digital clock
- recording of a digital signal on the AES/EBU data input, synchronized on a digital clock connected to the AES/EBU synchronization input;
- the synchronization of analog recording and playback on an AES/EBU clock connected to the AES/EBU Sync input.

The selection of the digital input excludes the selection of the analog inputs.

Main software features

- Real-time, simultaneous PCM record and playback (8, 16 and 24 bits), Float IEEE754 (with 24-bit fixed-point dynamic range)
- When using the np SDK, real-time on-board mixing of several PCM audio streams, direct monitoring, level adjustment, panning, cross-fades, punch-in/punch-out, scrubbing
- Possibility to control the parameters of the inputs and outputs (gains, mutes, 48 V switch, analog compressor-limiter-expander parameters), from the provided '**Digigram Hardware Settings**' application, or from any application that addresses these controls
- 24-bit DSP effects in playback and recording: 3-band parametric equalizer plus Maximizer
- Low latency DirectSound, ASIO, and Wave** drivers

Note: *the HR Runtime package for Windows Vista does not include a Wave driver. In case your audio application explicitly requires a Wave interface, a Wave driver is available on request. In this case, please contact [Digigram](#).*

* AES/EBU sync input and hardware sample rate converter on the AES/EBU input on special request on VX222e

** Windows XP and Server 2003 only

HARDWARE REQUIREMENTS

Minimum requirements

PC with one free PCI EXPRESS™ (PCIe®) slot (x1, x2, x4, x8, x16 or x32). CPU power and memory required depend on the operating system and on the audio application used.

Software requirements

To use your VX222e or VX222e-Mic, install the driver from the HR Runtime package version 1.70 or higher. This package includes:

- a Digigram np driver enabling OEM applications to best capitalize on the boards
- a WDM DirectSound driver
- a Wave driver* (32 bits, installation optional)
- an ASIO driver (32 bits, installation optional)

Supported operating systems

VX222e and VX222e-Mic cards run under Windows XP, Windows Vista, Windows Server 2008, and Windows 7.

HARDWARE INSTALLATION

Due to the reduced length of the PCI EXPRESS™ bus connector and the resulting lack of mechanical stability, we strongly advise against transporting the card(s) installed in a computer, unless its chassis or case provides a dedicated support to keep the card securely in place in order to avoid physical damage.

The card has to be installed in the computer prior to installing its driver.

Installing the card

Gently plug the card into a free PCIe® slot and press it down firmly to position it. Tighten the screw.

Interrupt and memory address

Hardware interrupt and addresses are automatically set up at start-up by the PCI PnP BIOS.

* Windows XP and Server 2003 only; for Windows Vista, a Wave driver is available on request.

SOFTWARE INSTALLATION

Note: *the installation of the software requires administrator rights on your computer*

Please visit the Digigram web site at www.digigram.com for the most recent driver.

In case you run a specific application developed or installed by a Digigram partner, it might require the use of a specific driver version. In this case, make sure that the updated driver has been approved by your supplier.

Standard installation under Windows XP, Windows Server 2003, and Windows Vista

If the driver has been downloaded from our web site, it has to be expanded prior to the driver's installation as follows: double-click on the downloaded file (self-expanding). You can use the default destination location (Windows temporary folder) or select another directory.

Important note: *this default procedure installs the 'Digigram Hardware Settings' control panel. This application allows the configuration of the hardware resources of Digigram cards for all audio applications. The DHS allows for instance to define the clock of the card, the input source, input and output analog and digital gain, Sample Rate Converters, digital output format, etc...*

Please note that, with the DHS installed, controls available through the DirectSound control panel are limited to:

- *Volume control for input and output*
- *Wave control*

Under Windows XP, and Server 2003 you may also install the driver without installing the DHS control panel, and in this case more controls are available through the DirectSound control panel:

- *Volume control for input*
- *Wave control*
- *Monitoring control*
- *Analog input level*
- *Digital input level*
- *Clock selection: AES Sync, AES I, Word Clock*
- *Digital output format: professional, consumer*

To do so, install the driver with the command line: “**setup x_topology**” (not available under Windows Vista). For detailed information, please refer to the dedicated document on our web site.

- Shut down your computer and insert your VX card.
- Restart your computer.
- Click on **Cancel** if the “**Found New Hardware**” Wizard appears.
- Double-click on the **HR Runtime vxx.msi/HR Runtime vxx.msi for Vista** icon to launch the driver installation.
- A welcome message is displayed, click **Next** to continue.
- The “**License Agreement**” window appears; read it, and click on “**I accept the terms in the license agreement**” to approve it.
- Do the same in the next window for Virtual PCX and PC Codec Legal Notice.
- In the “**Custom Setup**” window, the “*Drivers for the HR boards*” are displayed; by default, both WDM DirectSound and ASIO HR are installed.

To install the Wave driver*, select ‘**Wave**’.

To be able to use your VX card through np, select the ‘**Digigram np**’ component option (or make sure that the np application explicitly sets the ‘**VX_FLAG**’ with `PCXInitialize()`).

Next.

- In the “**Ready to Install the Program Window**”, click on **Install** to start copying the files.
 - **Note:** In case you use an unsigned driver version, the “*Digital Signature Not Found*” message may appear because a non-Microsoft software is about to be installed.
Click on **Continue** in the “**Hardware installation**” window (Windows XP, Server 2003).
- Under Windows Vista:
Click **Allow** in the “**User Account Control**” window.
Click **Install** in the “**Windows Security**” window.
- In the “**Digigram drivers**” window, select the number and the size of buffers required by your applications. Click on **Ok**.
- Click **Finish** to complete the driver installation.

* Windows XP and Server 2003 only; for Windows Vista, a Wave driver is available on request.

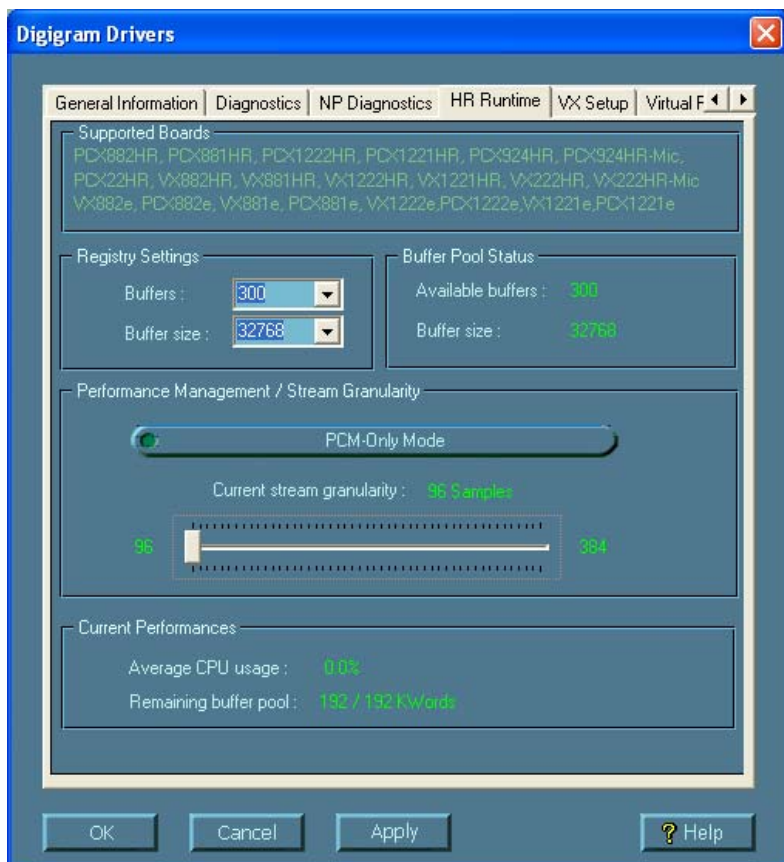
VX222e & VX222e-Mic

User Manual

Parameterizing the ASIO and Wave drivers

Note: for most current ASIO/Wave applications (e.g. Cubase, Nuendo, Winamp etc...) you have the choice between a 32-bit version and a 64-bit version when installing them under Windows \geq Vista. For operation with your sound card, make sure to use the 32-bit version!

For all sound cards of the VX range, “PCM only” is the only operating mode, therefore this button is disabled in the Digigram control panel (CPL). (To access this control panel, go to <Start>, <Programs>, <Digigram>, <Digigram Control Center>). For detailed information on how to use the Digigram control panel, please refer to its online help (“? Help” button).



Removing the driver under Windows XP and Windows Server 2003

- Open the Windows Control Panel and double-click on the **Add/Remove Software** icon.
- Select **Digigram HR Runtime ...**, and **Change/Remove**.
- Select **Remove** in the “**HR Runtime**” window.
- Follow the instructions to finish the driver removal.

Removing the driver under Windows Vista, Windows Server 2008, and Windows 7

- Open the **Windows Control Panel** and double-click on the **Programs and Features** icon.
- Select “**Digigram HR Runtime for Vista...**”, and **Change/Remove**.
- Select **Remove** in the HR Runtime window.
- Follow the instructions to finish removing the driver.

How to check the installation

Once the cards and the driver have been installed according to the procedure described in this manual, you can verify that the card is properly installed and works fine as follows:

- Menu <Start> <Settings> <Control panel>, <Sound and Multimedia>, tab “**Audio**”, **Default device** (Playback device, Recording device). The card’s channels can be selected. The card can be used with any *DirectSound* application.
- The card is also visible via the np interface: go to <Start> <Programs> <Digigram> and select <Digigram Control Center>.
 - In the “**Digigram drivers**” window, select the ‘**General Information**’ tab.
In the “**Modules Information**” window, you can see the **HR Runtime** modules that have been installed, and their versions.
 - In the “**Digigram drivers**” window, select the ‘**Diagnostics**’ tab.
You should see here the icons of the cards you have installed.

VX222e & VX222e-Mic

User Manual

- If the card you have installed is listed:
 - Right click on the icon of the card.
 - Select '**Diagnostics**', and **Play Sine**. This plays in loop a sine signal on the outputs of the card. You can also select **Play file** to play in loop a file of your choice (PCM only). If the playback is correct, the card is correctly installed and works.
 - To stop the playback, right click on the card icon, and select **Stop Activities**.
- If the card is not displayed:
 - Make sure that during the HR runtime installation the "**Driver for the HR boards**" has been selected in the "**Select components**" window.
 - Make sure that the card is correctly inserted in the PCI slot, and screwed on the PC chassis.
 - If necessary, uninstall the HR runtime package as described in this manual, and re-install it.
- If the Wave driver has been installed*:
 - Go to menu <Start>, <Settings>, <Control panel>, <Sound and Multimedia>, tab "Audio", Default device (**Playback device**, **Recording device**). The card's channels can be selected. The card can be used with any Wave application.
- If the ASIO driver has been installed:
 - The card is visible from any ASIO application.

* Windows XP and Server 2003 only; for Windows Vista, a Wave driver is available on request.

The 'Digigram Hardware Settings' ('DHS') control panel

Digigram hardware settings (DHS) is an application allowing to configure the hardware resources of Digigram cards for all audio applications using them. A resource being managed by the DHS application can not be modified by any other applications. To enable an audio application to modify a Digigram card resource, this resource must not be managed by the DHS.

Note: As soon as a resource of a card is managed by the DHS, the clock selection of this card MUST be defined in the DHS.

The DHS allows to:

- Select the clock the card uses
- Select the input source
- Set analog and digital gains of an input
- Enable Sample Rate Converters of an input
- Select the input monitored on an output
- Set the monitoring gains
- Set the analog and digital gains of an output
- Define the digital output format

For help on how to use this control panel, please refer to its on-line help.

VX222e & VX222e-Mic

User Manual

SPECIFICATIONS

Configuration

	VX222e	VX222e-Mic
Bus/Format	PCI EXPRESS™ (PCIe®) x1 (x2, x4, x8, x16, x32 compatible)	
Digital Signal Processor	Motorola 56303 at 100 MHz	
RAM	128 kWords	512 kWords
Size	168 mm x 99 mm x 20 mm	
Power requirements (+3.3V/ +12V)	1 A / 0.2 A	1.3 A* / 0,22 A
Operating: temp / humidity (non-condensing)	0°C / +50°C • 5% / 90%	
Storage: temp / humidity (non-condensing)	-5°C / +70°C • 0% / 95%	

Inputs

	VX222e	VX222e-Mic
Analog line inputs (mono)	2 balanced**	2 balanced**
Maximum input level/impedance	+24 dBu / <10 kΩ	+24 dBu / >10 kΩ
Digital inputs (stereo)	1 AES/EBU***	cf. separate table
Programmable input gain	analog: from -94 dB to +16 dB⊗ digital: from -110 dB to +18 dB	
Other inputs	2 GPI (dry contact), LTC	
AES11 synchronization	Yes	

* enabling phantom power (48 V) may increase this value by 50%
using the 10 V AES42 power to feed the microphone may increase this value by 90%

** can be used with unbalanced signals

*** can be used as S/PDIF interface as well

⊗ maximum sensitivity: 0 dBFS for -16 dBu input

Additional inputs VX222e-Mic

Microphone input	1 professional mono with - high-quality preamplifier - switchable 48 V phantom power - analog expander/compressor/limiter <i>This input is mixed with the two line inputs before A/D conversion.</i>
Digital input (stereo) *	1 AES/EBU, AES42 compatible - with hardware sample rate converter (SRC) - supplying 10 V to feed a digital microphone - allowing remote microphone control
Other inputs**	AES/EBU Sync (up to 200 kHz)

Outputs

	VX222e	VX222e-Mic
Analog line outputs (mono)	2 servo-balanced***	
Maximum output level / impedance	+24 dBu / < 100 Ω	
Digital outputs (stereo)	1 AES/EBU, up to 200 kHz	
Programmable output gain	analog: from -24 dB to +24 dB digital: from -110 dB à +18 dB	
Other outputs	1 stereo headphone output (600 Ω) 2 GPO (relay, 0.5 A, 48 VCC)	

Connectors

	VX222e	VX222e-Mic
Internal connector	Inter board synchronization	
External connectors	<ul style="list-style-type: none"> • 15-pin Sub-D for analog I/Os • 15-pin HD Sub-D for digital I/Os, Sync., and GPIO • Mini jack headphone stereo output (3,5 mm TRS female jack) 	

* Hardware sample rate converter available on VX222e on special request

** AES/EBU sync input available on VX222e on special request

*** electronically servo-balanced outputs provide automatic level adjustment to accommodate either balanced or unbalanced lines

VX222e & VX222e-Mic

User Manual

Audio specifications

	VX222e	VX222e-Mic
Sampling frequencies available	Programmable from 8 to 192 kHz	
A/D and D/A converter resolution	24 bits	24 bits
Supported audio formats	PCM (8, 16, 24 bits), Float IEEE754	

Analog audio performance

Measurements done at $F_s=48$ kHz unless stated otherwise, with filter on the 22 Hz- 22 kHz range

	VX222e	VX222e-Mic
Frequency response (record + play)	at 48 kHz: 20 Hz - 20 kHz: +0 /-0.3 dB at 96 kHz: 20 Hz - 40 kHz: +0 /-0.4 dB at 192 kHz: 20 Hz - 80 kHz: +0 /-1.1 dB	
Channel phase difference: 20/20kHz	<0.2°/2°	
Dynamic range (A-weighted)	Analog In: >104 dB Analog Out: > 106 dB	
THD + noise 1 kHz at -2 dBfs	Analog In: <-97 dB Analog Out: <-95 dB	
Crosstalk (Analog in or out)	1 kHz at 24 dBu: <-115 dB 15 kHz at 24 dBu: <-100 dB	

Sample rate converter performance

	VX222e-Mic
Maximum frequency	192 kHz
Frequency ratio	from 1:8 to 7,5:1
THD + noise 1 kHz at -2 dBfs	<-130 dB

Analog mono microphone input features VX222e-Mic

Power supply	switchable 48 V phantom power
Programmable mic gain	0 to 66 dB in 0.5 dB steps
Maximum input level/impedance	+10 dBu / >10 k Ω
Equivalent Input Noise, A/D-D/A at 48kHz, G=60 dB	<-125 dBu
Programmable noise-gate threshold	-52 dB, -42 dB, -32 dB
Programmable compressor/limiter threshold	from -26 dB to 0 dB
Programmable compressor ratio	1, 1.2, 1.5, 1.8, 2, 2.5, 3, 3.5, 4, 4.5
Programmable compressor/limiter gain	from 0 to 16 dB
Limiter ratio	15:1
Compressor/limiter release time	150 ms
Management of line and mic inputs	Mixed together before A/D, with independent level and mute controls

AES42 microphone input features - VX222e-Mic

Power supply	10 V min / 250 mA max
Remote control	Yes
Supported synchronization	Operational mode 1 (the microphone generates its own clock)

VX222e & VX222e-Mic

User Manual

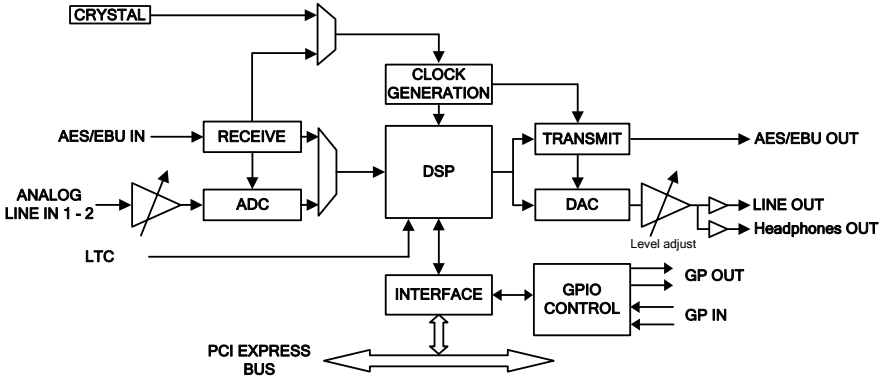
Development environments

	VX222e	VX222e-Mic
Digigram management	np SDK (HR runtime, PCM only)	
Other management	Wave*, ASIO, DirectSound (all PCM only)	
Supported operating systems	Windows XP, Windows Vista, Windows Server 2008, and Windows 7	
Main on-board processing features (with np SDK)	PCM play, rec, Float IEEE754, direct monitoring, real-time mixing, level adjustment, <i>panning</i> , cross-fade, <i>punch-in/punch-out</i> , <i>scrubbing</i> , 3-band parametric equalizer plus Maximizer	

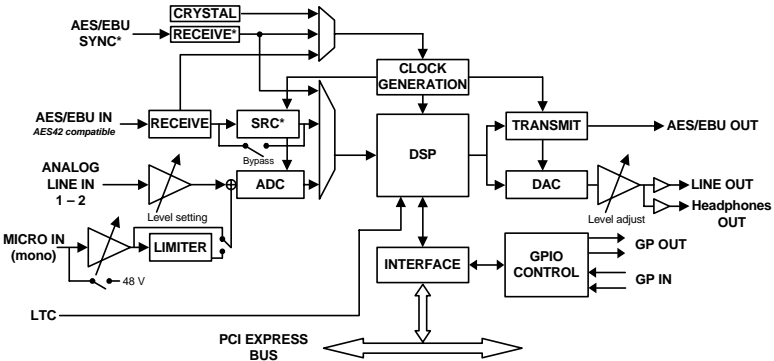
* Windows XP and Server 2003 only; for Windows Vista, a Wave driver is available on request.

APPENDICES

VX222e schematic diagram



VX222e-Mic schematic diagram

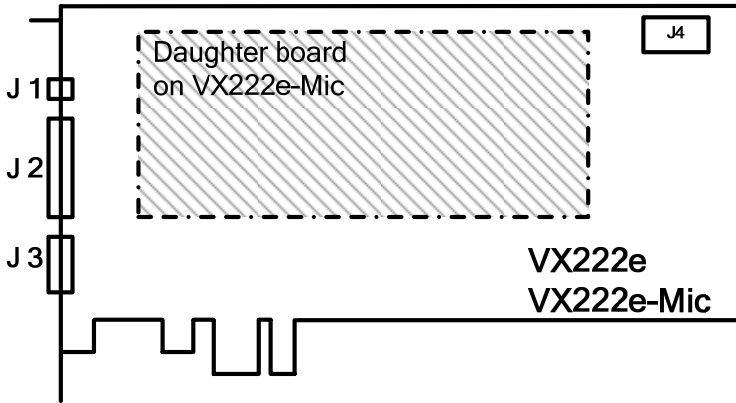


*on request on VX222e

VX222e & VX222e-Mic

User Manual

Layout



J1: Headphone connector:
(3.5 mm TRS female jack)

Contact	Signal
Sleeve	Ground
Tip	Left channel
Ring	Right channel

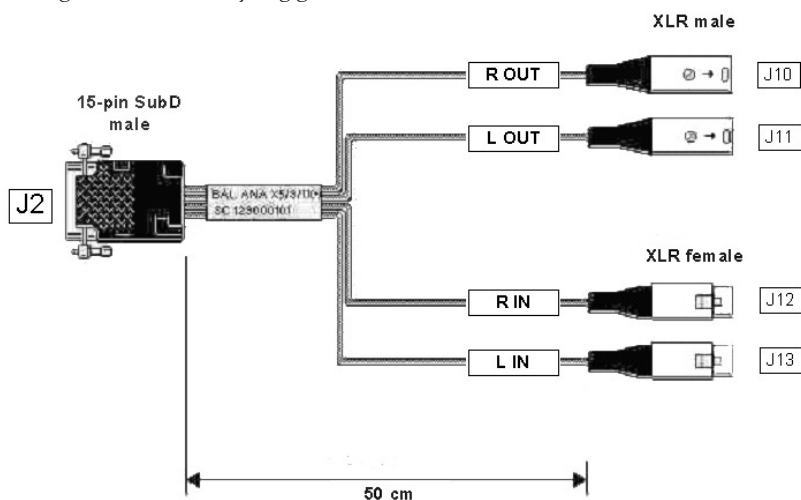
J2: Analog cable

J3: Digital cable

J4: Inter-card synchronization connector

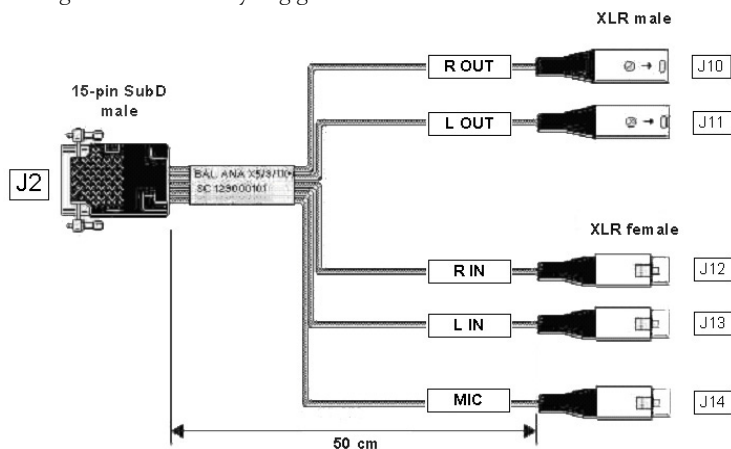
VX222e - analog cable diagram

Analog cable delivered by Digigram:



VX222e-Mic - analog cable diagram

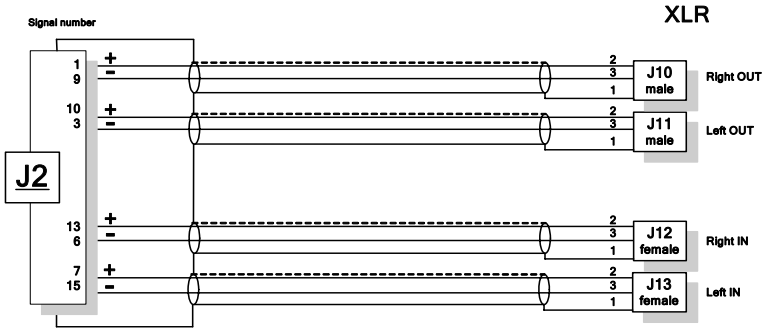
Analog cable delivered by Digigram:



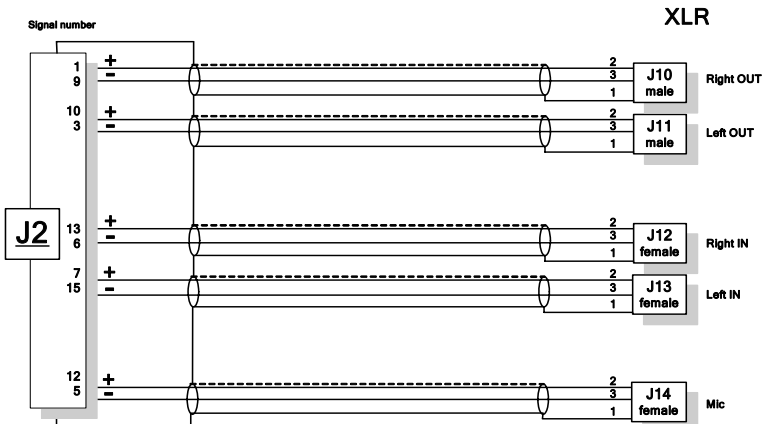
VX222e & VX222e-Mic

User Manual

Wiring diagram - analog cable VX222e

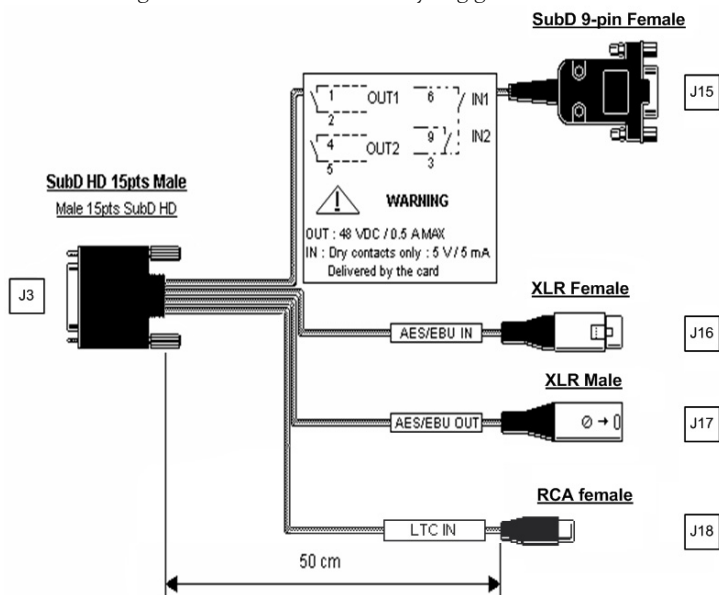


Wiring diagram - analog cable VX222e



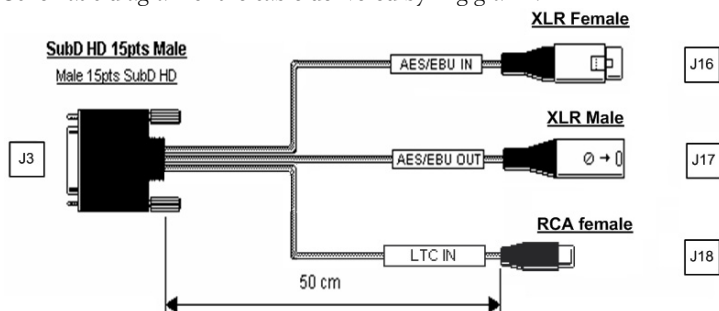
VX222e - digital cable with GPIOs

Schematic diagram of the cable delivered by Digigram*:



VX222e - digital cable without GPIOs

Schematic diagram of the cable delivered by Digigram*:

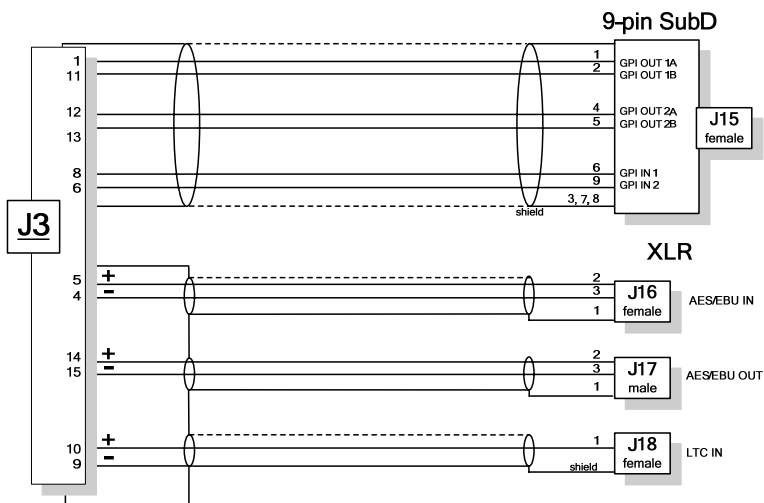


* Your cable may look different if it is not a Digigram cable.

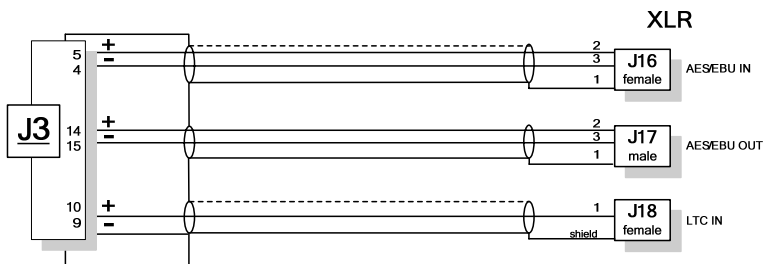
VX222e & VX222e-Mic

User Manual

Wiring diagram - digital cable with GPIOs (VX222e)



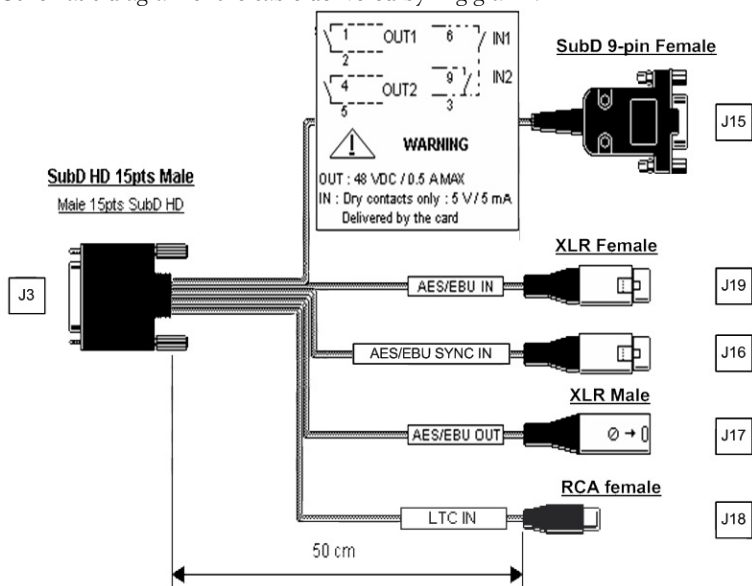
Wiring Diagram – digital cable without GPIOs (VX222e)



Note: digital cable for VX222e with additional AES/EBU Sync input on special request.

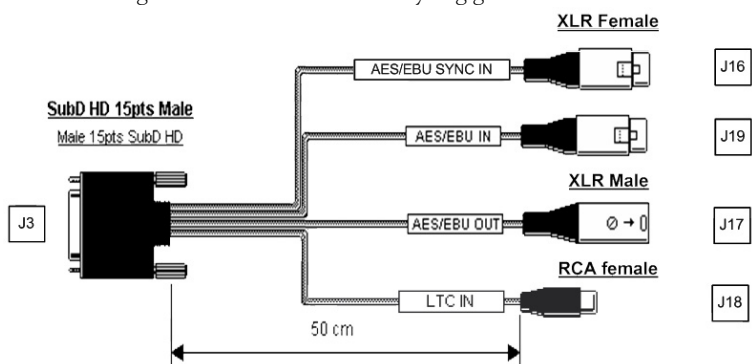
VX222e-Mic - digital cable with GPIOs

Schematic diagram of the cable delivered by Digigram*:



VX222e-Mic - digital cable without GPIOs

Schematic diagram of the cable delivered by Digigram*:

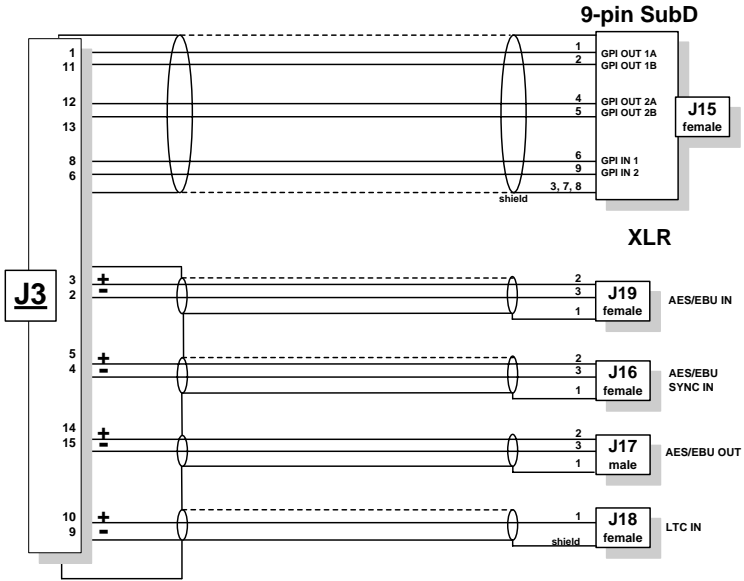


* Your cable may look different if it is not a Digigram cable.

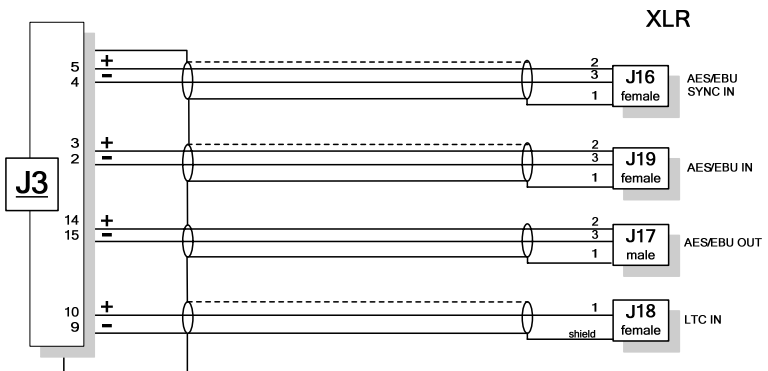
VX222e & VX222e-Mic

User Manual

Wiring diagram - digital cable with GPIOs (VX222e-Mic)



Wiring diagram - digital cable without GPIOs (VX222e-Mic)



VX222e cable pinout

Pin #	ANALOG	DIGITAL
1	R OUT +	GPO OUT 1A
2	GND	NC
3	L OUT -	NC
4	GND	AES/EBU IN -
5	NC	AES/EBU IN +
6	R IN -	GPI INPUT 2
7	L IN +	GND/GPO COMMON INPUT
8	GND	GPI INPUT 1
9	R OUT -	GND
10	L OUT +	LTC IN
11	GND	GPO OUT 1B
12	NC	GPO OUT 2A
13	R IN +	GPO OUT 2B
14	GND	AES/EBU OUT +
15	L IN -	AES/EBU OUT -

VX222e-Mic cable pinout

Pin #	ANALOG	DIGITAL
1	R OUT +	GPO OUT 1A
2	GND	AES/EBU IN -
3	L OUT -	AES/EBU IN +
4	GND	AES/EBU SYNC IN -
5	MIC IN	AES/EBU SYNC IN +
6	R IN -	GPI INPUT 2
7	L IN +	GND/GPI INPUT COMMON
8	GND	GPI INPUT 1
9	R OUT -	GND
10	L OUT +	LTC IN
11	GND	GPI OUT 1B
12	MIC IN +	GPI OUT 2A
13	R IN +	GPI OUT 2B
14	GND	AES/EBU OUT +
15	L IN -	AES/EBU OUT -