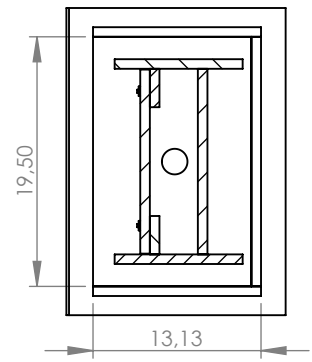
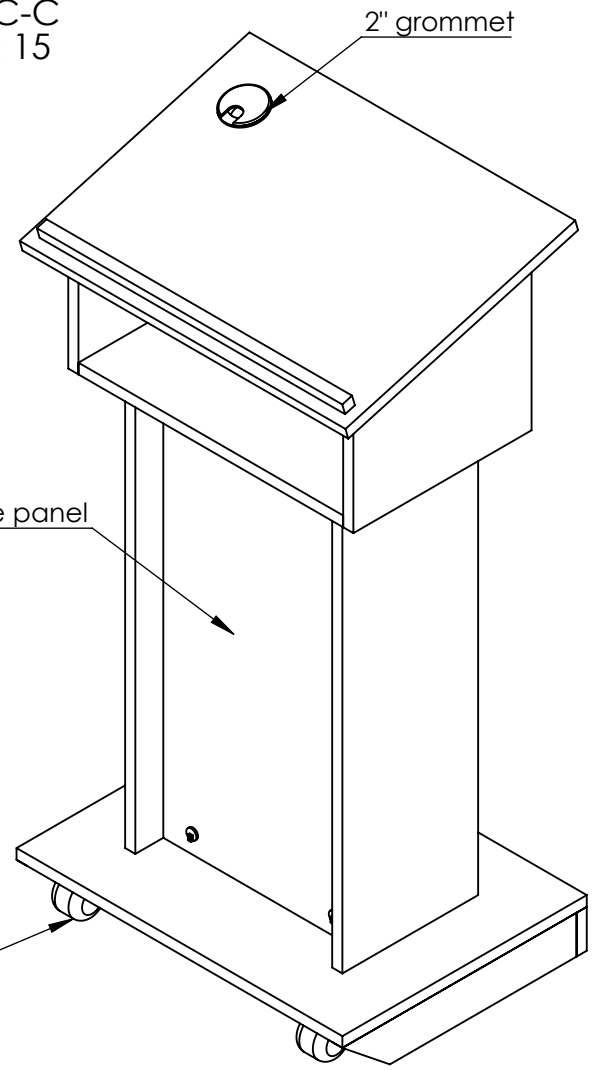
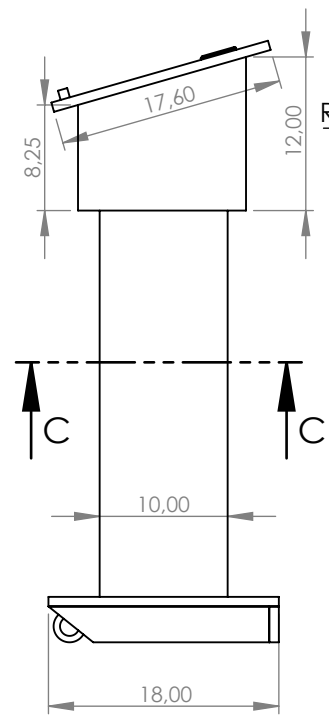


SECTION A-A
SCALE 1 : 15



SECTION C-C
SCALE 1 : 15



PROPRIETARY AND CONFIDENTIAL		Date:	February 4, 2016		TITLE:	
- The information in this drawing is the sole property of Exact Furniture Limited. - Specification subject to change without notice.		Customer:			PM-250	
		Model:				
MATERIAL	COMMENTS:				SIZE	DWG. NO.
FINISH					A	
		DO NOT SCALE DRAWING		SCALE: 1:15	WEIGHT:	SHEET 1 OF 1