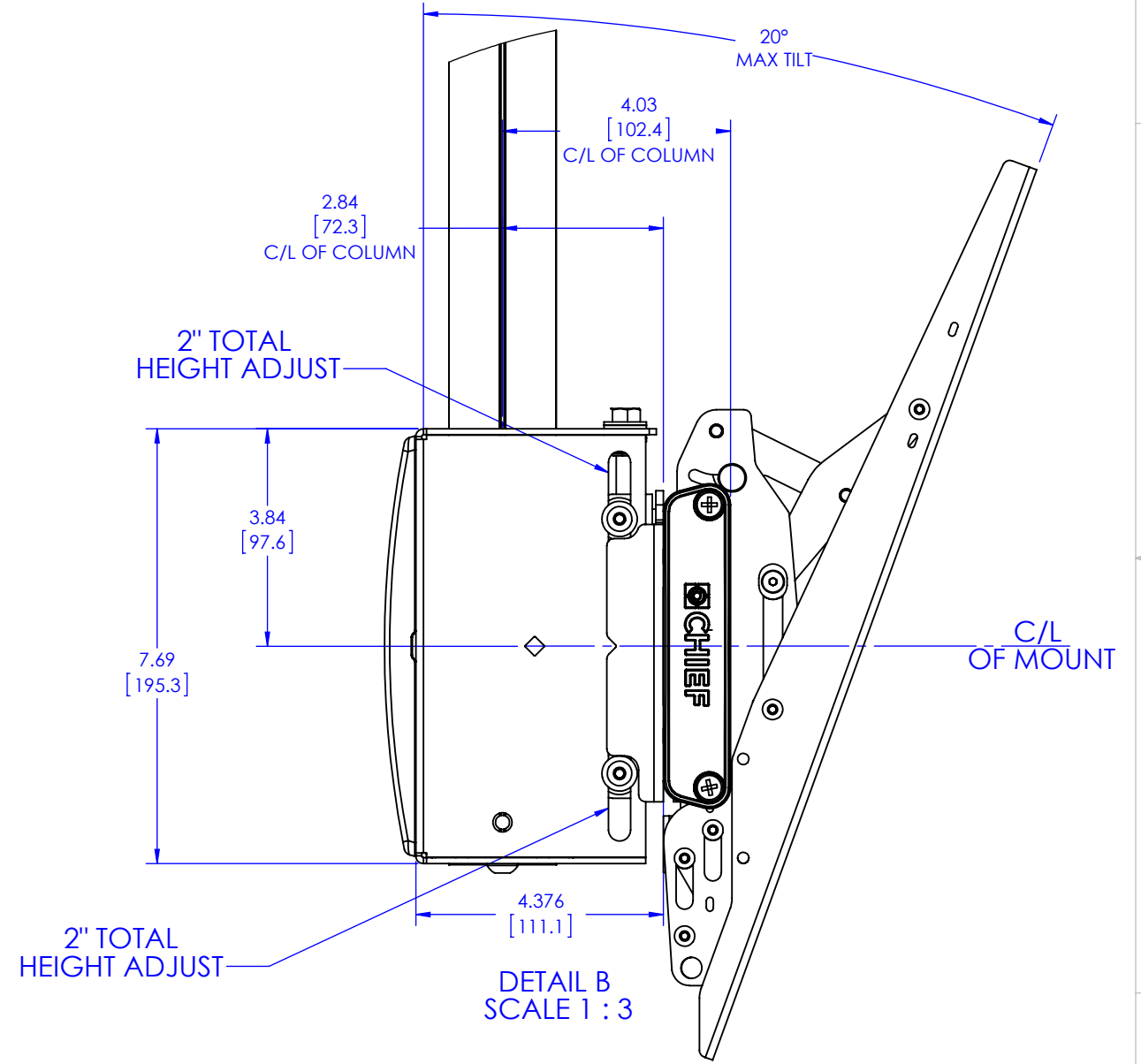
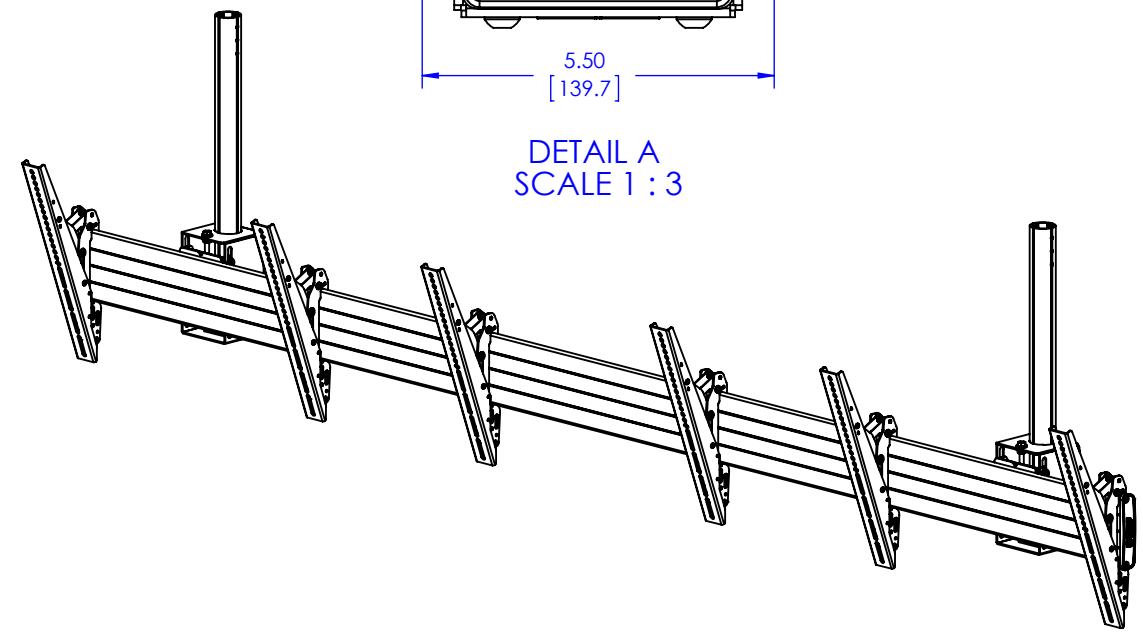


DETAIL A  
SCALE 1 : 3

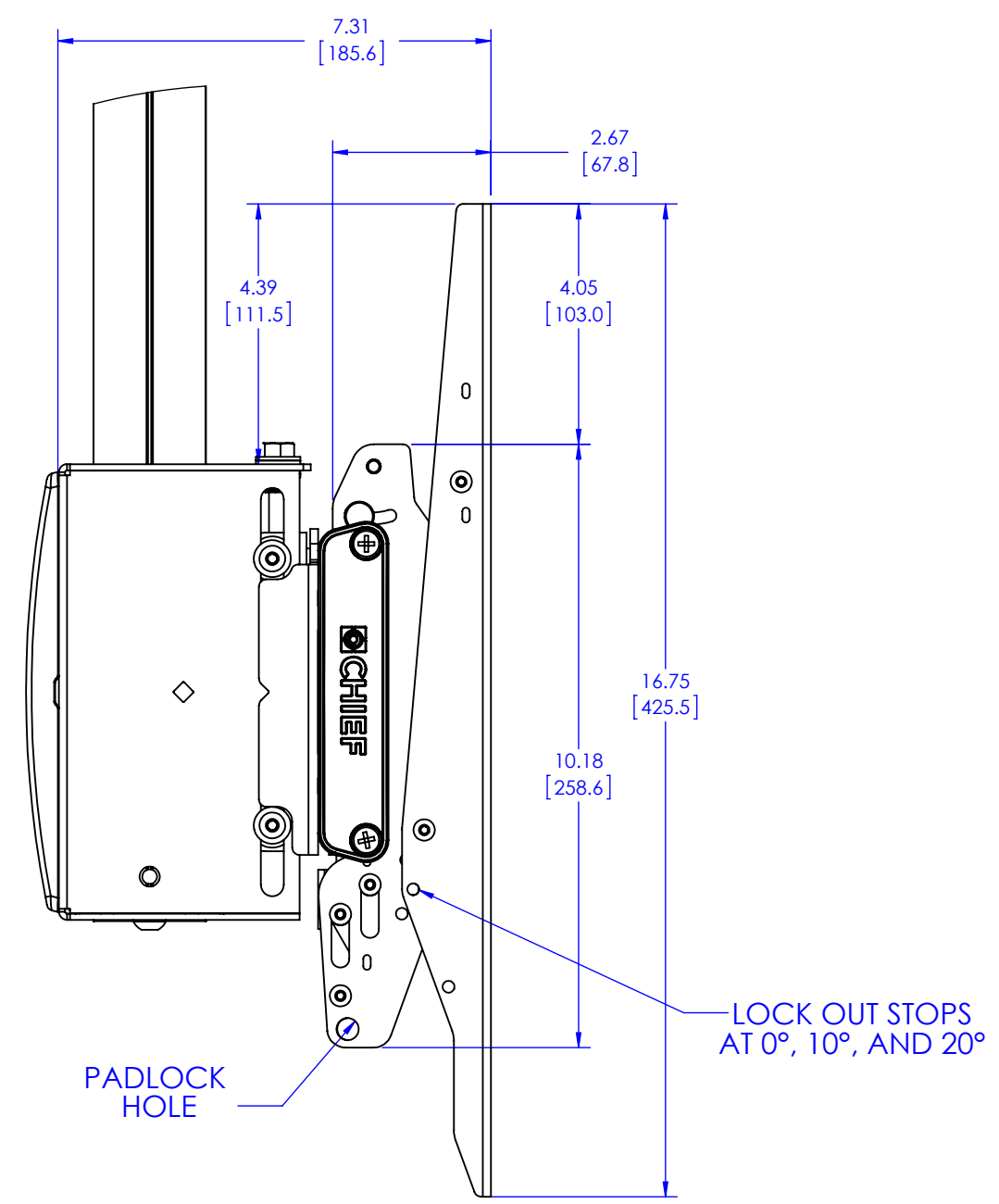
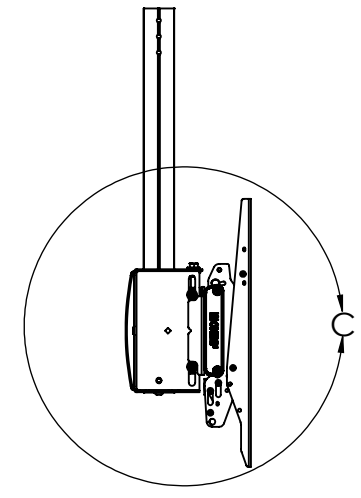


DETAIL B  
SCALE 1 : 3

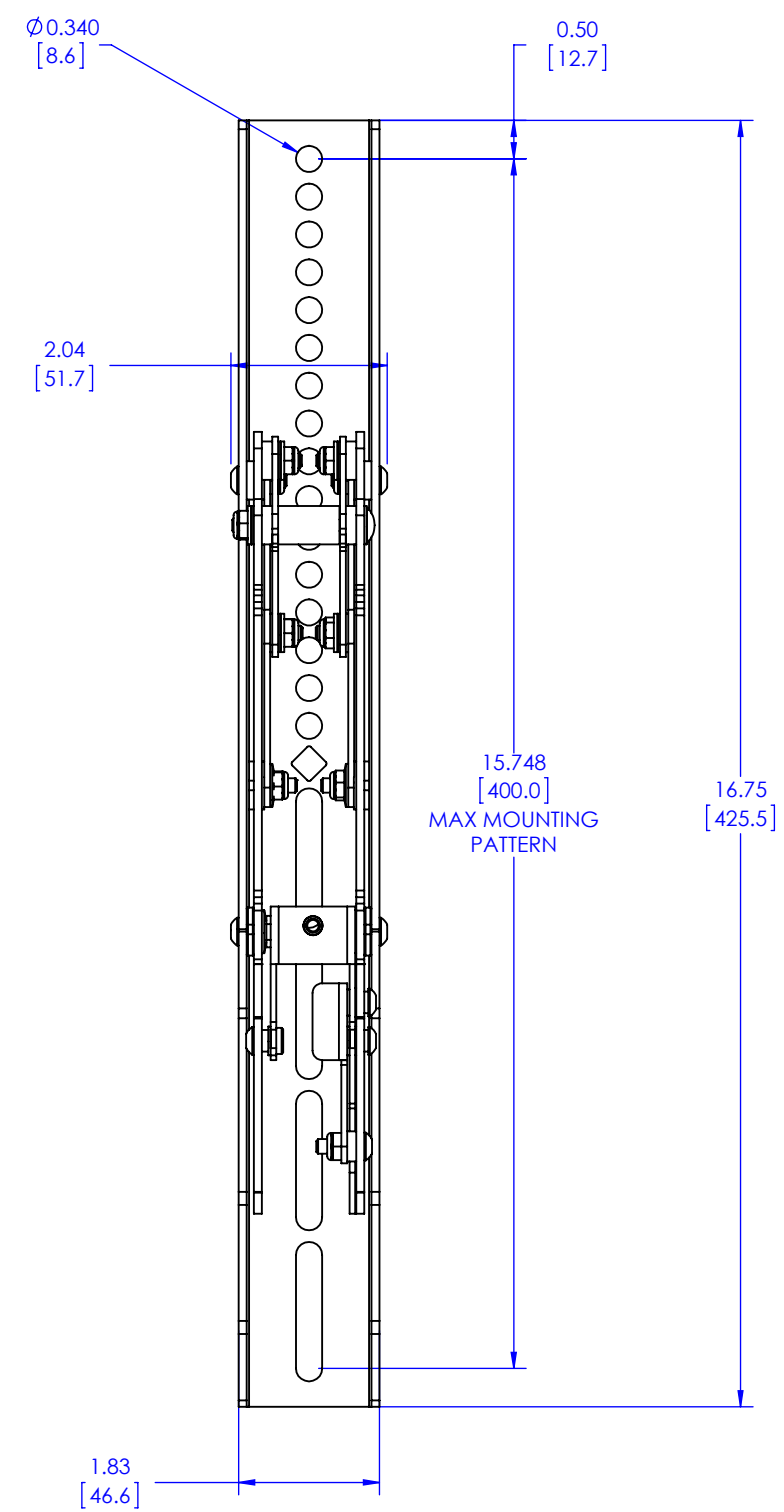


THE INFORMATION AND DESIGNS CONTAINED IN THIS DRAWING ARE CONFIDENTIAL AND THE PROPRIETARY PROPERTY OF MILESTONE AV TECHNOLOGIES NEITHER THIS DESIGN NOR ANY INFORMATION CONTAINED IN THIS DRAWING MAY BE REPRODUCED OR DISCLOSED TO OTHERS WITHOUT THE EXPRESS WRITTEN CONSENT OF MILESTONE AV TECHNOLOGIES.

CAD GENERATED DRAWING, DO NOT MANUALLY UPDATE.			6436 CITY WEST PKWY EDEN PRAIRIE MN, 55344 PHONE: 866-977-3901 FAX: 877-894-6918	
DRAWN BY	JAB	2/22/2013		
ENG APPROVAL			DESCRIPTION	
MFG APPROVAL			LCM3X1U TECH DRAWING	
QA APPROVAL			MODEL NO.	
SHEET 1 OF 5			SCALE	1:24
			SIZE	B
			DWG. NO.	TECH-000333
			REV.	00

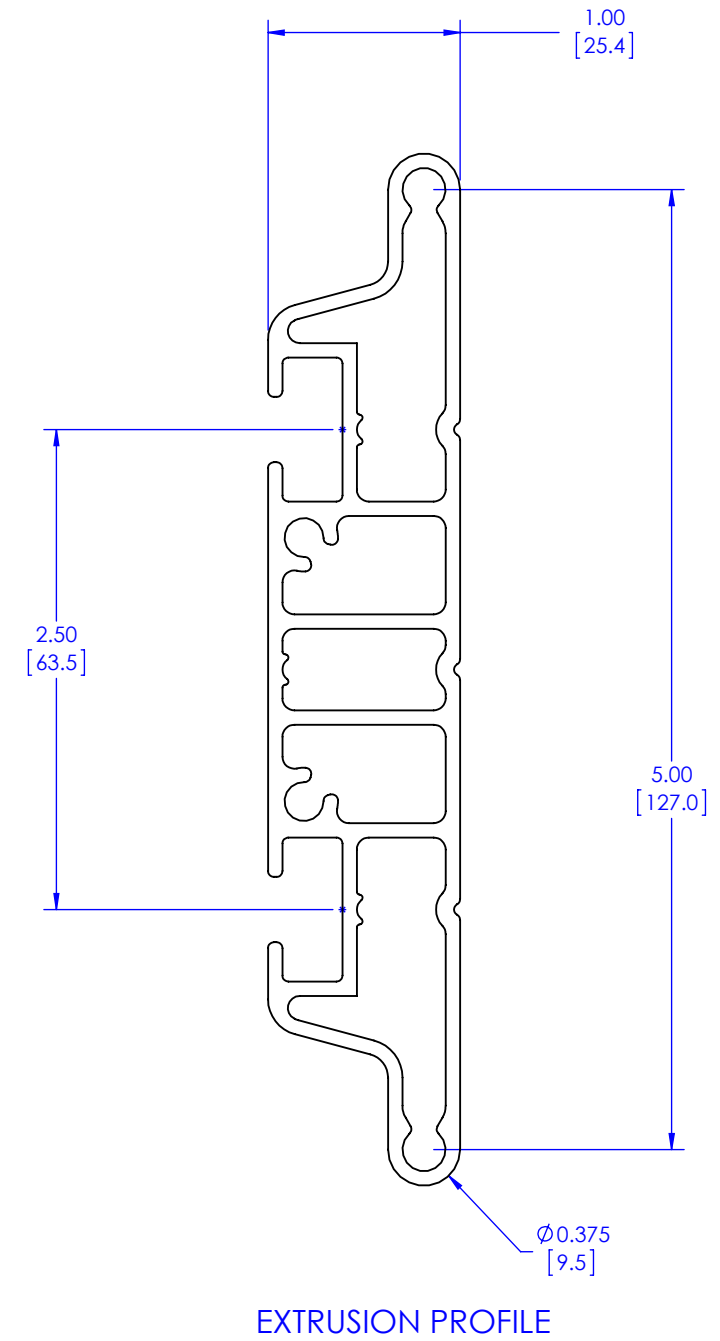


DETAIL C  
SCALE 1 : 3

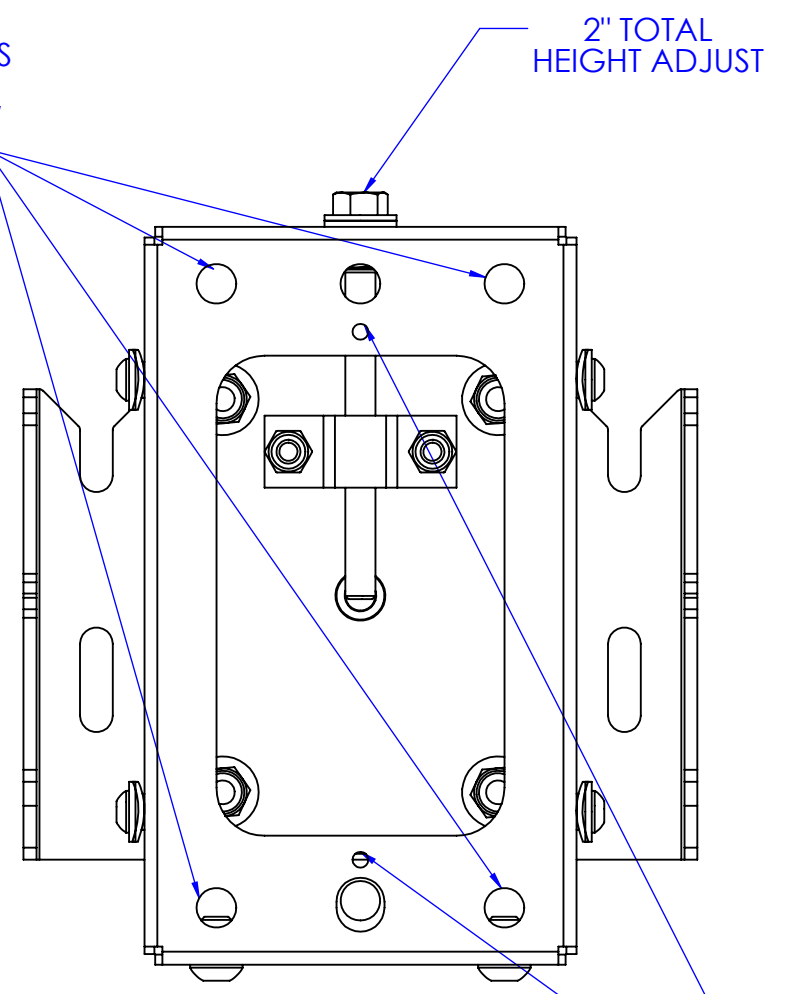


THE INFORMATION AND DESIGNS CONTAINED IN THIS DRAWING ARE CONFIDENTIAL AND THE PROPRIETARY PROPERTY OF MILESTONE AV TECHNOLOGIES NEITHER THIS DESIGN NOR ANY INFORMATION CONTAINED IN THIS DRAWING MAY BE REPRODUCED OR DISCLOSED TO OTHERS WITHOUT THE EXPRESS WRITTEN CONSENT OF MILESTONE AV TECHNOLOGIES.

CAD GENERATED DRAWING, DO NOT MANUALLY UPDATE.			6436 CITY WEST PKWY EDEN PRAIRIE MN, 55344 PHONE: 866-977-3901 FAX: 877-894-6918	
DRAWN BY	JAB	2/22/2013	DESCRIPTION	
ENG APPROVAL			LCM3X1U TECH DRAWING	
MFG APPROVAL			MODEL NO.	
QA APPROVAL			LCM3X1U	
SHEET 2 OF 5		SCALE	SIZE	DWG. NO.
		1:24	B	TECH-000333
				REV.
				00



FOR MOUNTING  
OPTIONAL CPU ENCLOSURES  
FCA510 AND FCA515  
OR ATTACHING BACK ROW  
FOR MENU BOARD



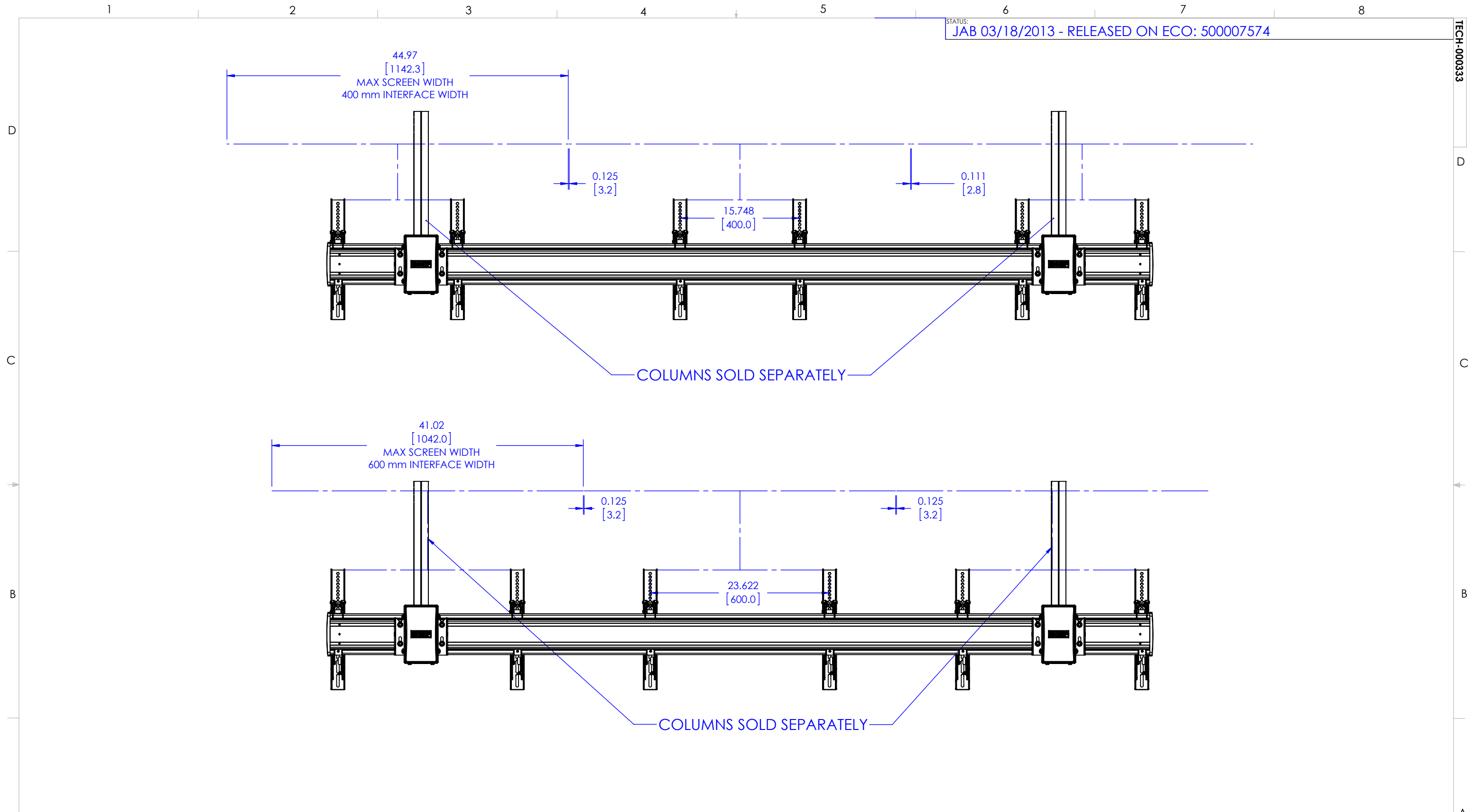
MOUNTING HEAD  
BACK VIEW

FOR ATTACHING  
FCA540 OUTLET  
BOX ACCESSORY

**THE INFORMATION AND DESIGNS CONTAINED IN THIS DRAWING ARE CONFIDENTIAL AND THE PROPRIETARY PROPERTY OF MILESTONE AV TECHNOLOGIES NEITHER THIS DESIGN NOR ANY INFORMATION CONTAINED IN THIS DRAWING MAY BE REPRODUCED OR DISCLOSED TO OTHERS WITHOUT THE EXPRESS WRITTEN CONSENT OF MILESTONE AV TECHNOLOGIES.**

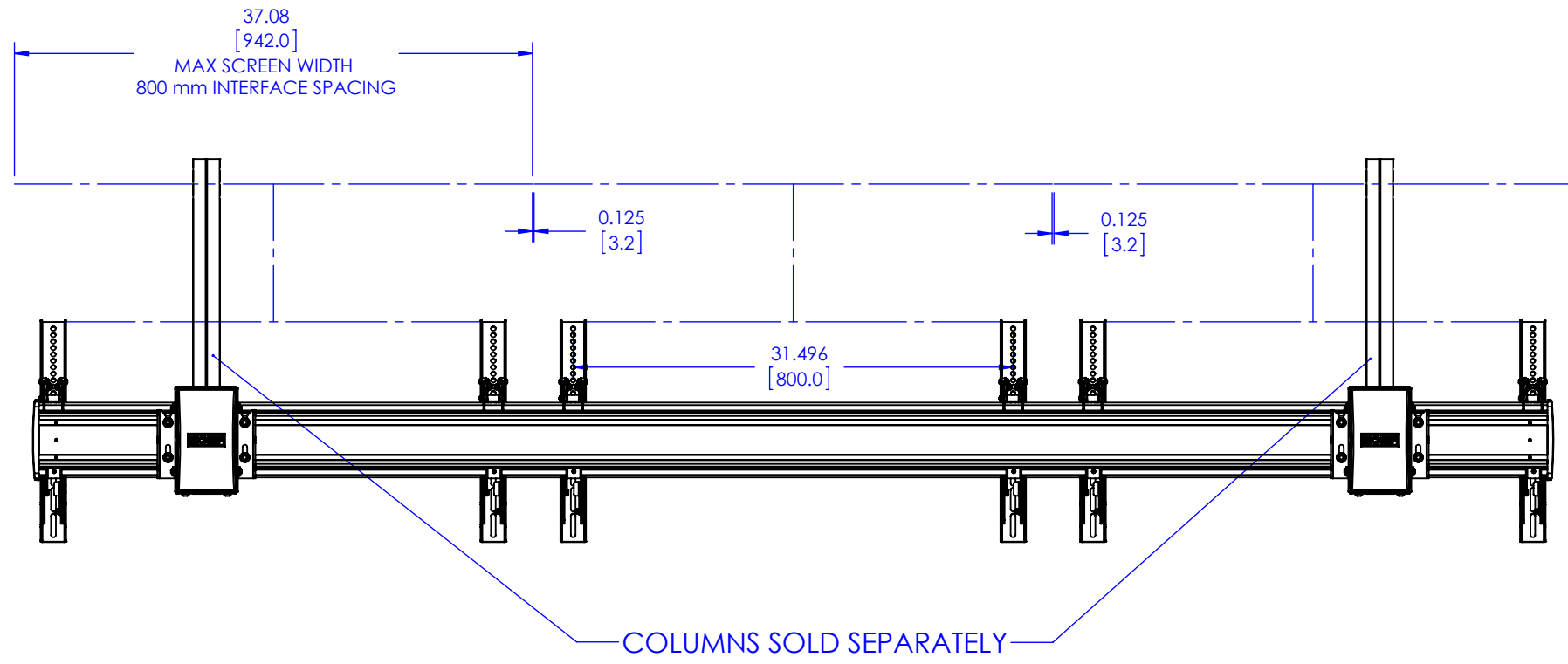
CAD GENERATED DRAWING, DO NOT MANUALLY UPDATE.		
DRAWN BY	JAB	2/22/2013
ENG APPROVAL		
MFG APPROVAL		
QA APPROVAL		
SHEET 3 OF 5		

	6436 CITY WEST PKWY EDEN PRAIRIE MN, 55344 PHONE: 866-977-3901 FAX: 877-894-6918	
	DESCRIPTION	
<b>LCM3X1U TECH DRAWING</b>		
MODEL NO.		
<b>LCM3X1U</b>		
SIZE	DWG. NO.	REV.
B	TECH-000333	00



THE INFORMATION AND DESIGNS CONTAINED IN THIS DRAWING ARE CONFIDENTIAL AND THE PROPRIETARY PROPERTY OF MILESTONE AV TECHNOLOGIES NEITHER THIS DESIGN NOR ANY INFORMATION CONTAINED IN THIS DRAWING MAY BE REPRODUCED OR DISCLOSED TO OTHERS WITHOUT THE EXPRESS WRITTEN CONSENT OF MILESTONE AV TECHNOLOGIES.

CAD GENERATED DRAWING, DO NOT MANUALLY UPDATE.			6436 CITY WEST PKWY EDEN PRAIRIE MN, 55344 PHONE: 866-977-3901 FAX: 877-894-6918
DRAWN BY	JAB	2/22/2013	
ENG APPROVAL			DESCRIPTION
MFG APPROVAL			LCM3X1U TECH DRAWING
QA APPROVAL			MODEL NO.
SHEET 4 OF 5			LCM3X1U
SCALE	1:24	SIZE	DWG. NO.
		B	TECH-000333
			REV.
			00



THE INFORMATION AND DESIGNS CONTAINED IN THIS DRAWING ARE CONFIDENTIAL AND THE PROPRIETARY PROPERTY OF MILESTONE AV TECHNOLOGIES NEITHER THIS DESIGN NOR ANY INFORMATION CONTAINED IN THIS DRAWING MAY BE REPRODUCED OR DISCLOSED TO OTHERS WITHOUT THE EXPRESS WRITTEN CONSENT OF MILESTONE AV TECHNOLOGIES.

CAD GENERATED DRAWING, DO NOT MANUALLY UPDATE.			6436 CITY WEST PKWY EDEN PRAIRIE MN, 55344 PHONE: 866-977-3901 FAX: 877-894-6918
DRAWN BY	JAB	2/22/2013	
ENG APPROVAL			DESCRIPTION
MFG APPROVAL			LCM3X1U TECH DRAWING
QA APPROVAL			MODEL NO.
SHEET 5 OF 5			LCM3X1U
SCALE	1:24	SIZE	DWG. NO.
		B	TECH-000333
			REV.
			00