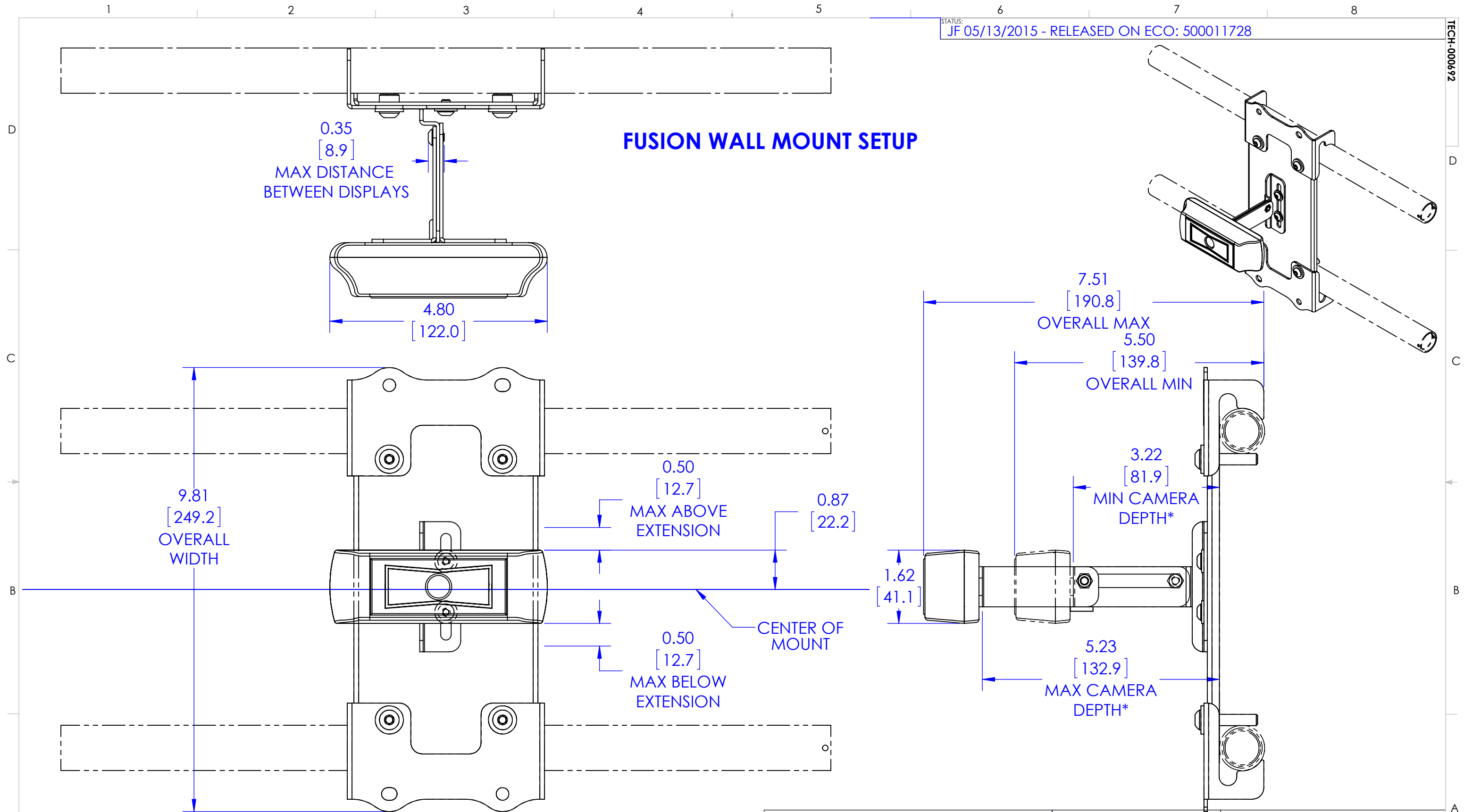


FUSION WALL MOUNT SETUP

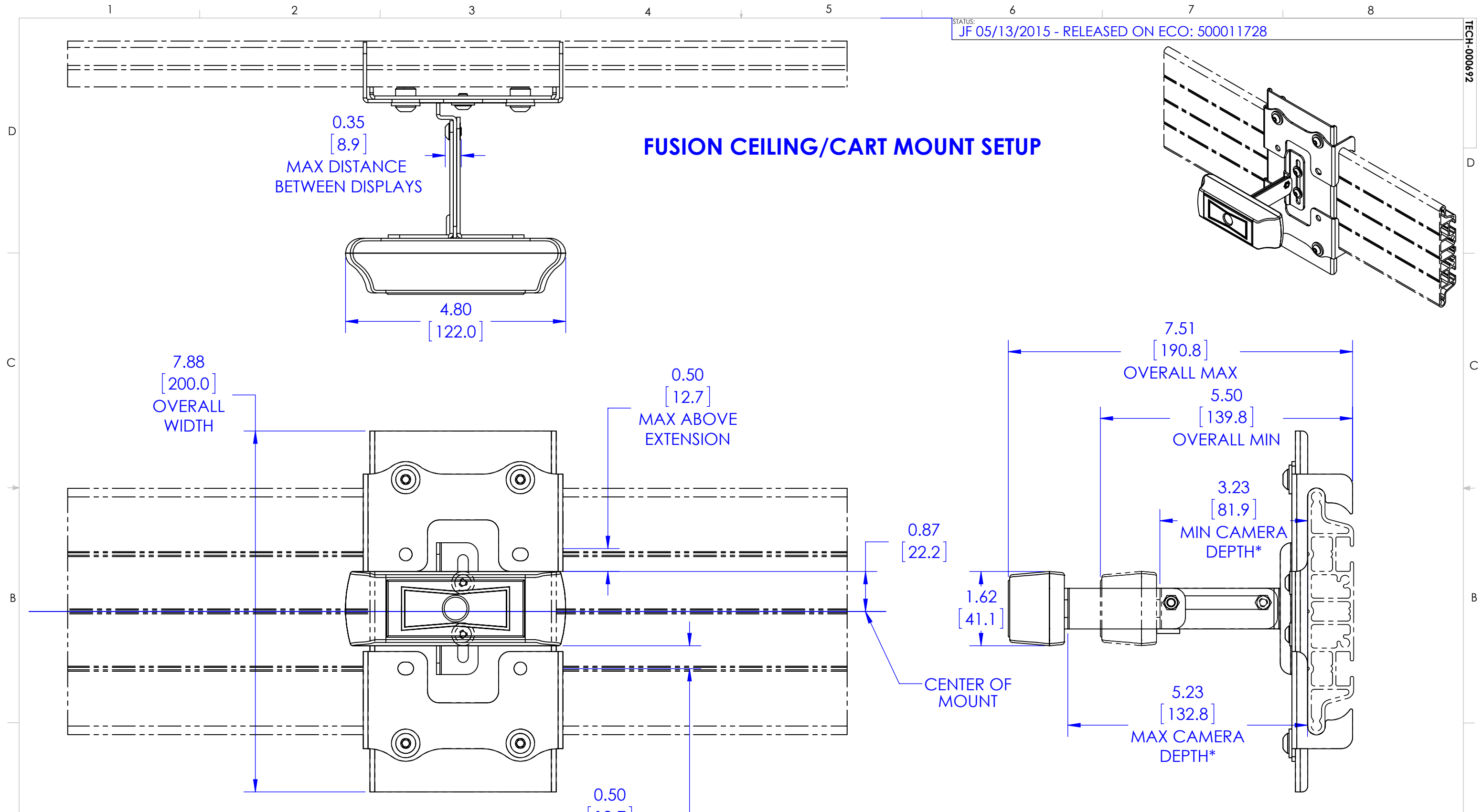


- (*)NOTES:
- TYPICAL FUSION INTERFACES ARE 0.625" [15.9] DEEP

THE INFORMATION AND DESIGNS CONTAINED IN THIS DRAWING ARE CONFIDENTIAL AND THE PROPRIETARY PROPERTY OF MILESTONE AV TECHNOLOGIES NEITHER THIS DESIGN NOR ANY INFORMATION CONTAINED IN THIS DRAWING MAY BE REPRODUCED OR DISCLOSED TO OTHERS WITHOUT THE EXPRESS WRITTEN CONSENT OF MILESTONE AV TECHNOLOGIES.

CAD GENERATED DRAWING, DO NOT MANUALLY UPDATE.				6436 CITY WEST PKWY EDEN PRAIRIE MN, 55344 PHONE: 866-977-3901 FAX: 877-894-6918	
DRAWN BY	JF	5/12/2015		DESCRIPTION FUSION VIEWSHARE KIT - DUAL DISPLAYS	
ENG APPROVAL			MODEL NO. FCA820V & FCA820VE		
MFG APPROVAL			SIZE	DWG. NO.	REV.
QA APPROVAL			B	TECH-000692	00
SHEET 1 OF 3			SCALE		
			1:2		

FUSION CEILING/CART MOUNT SETUP

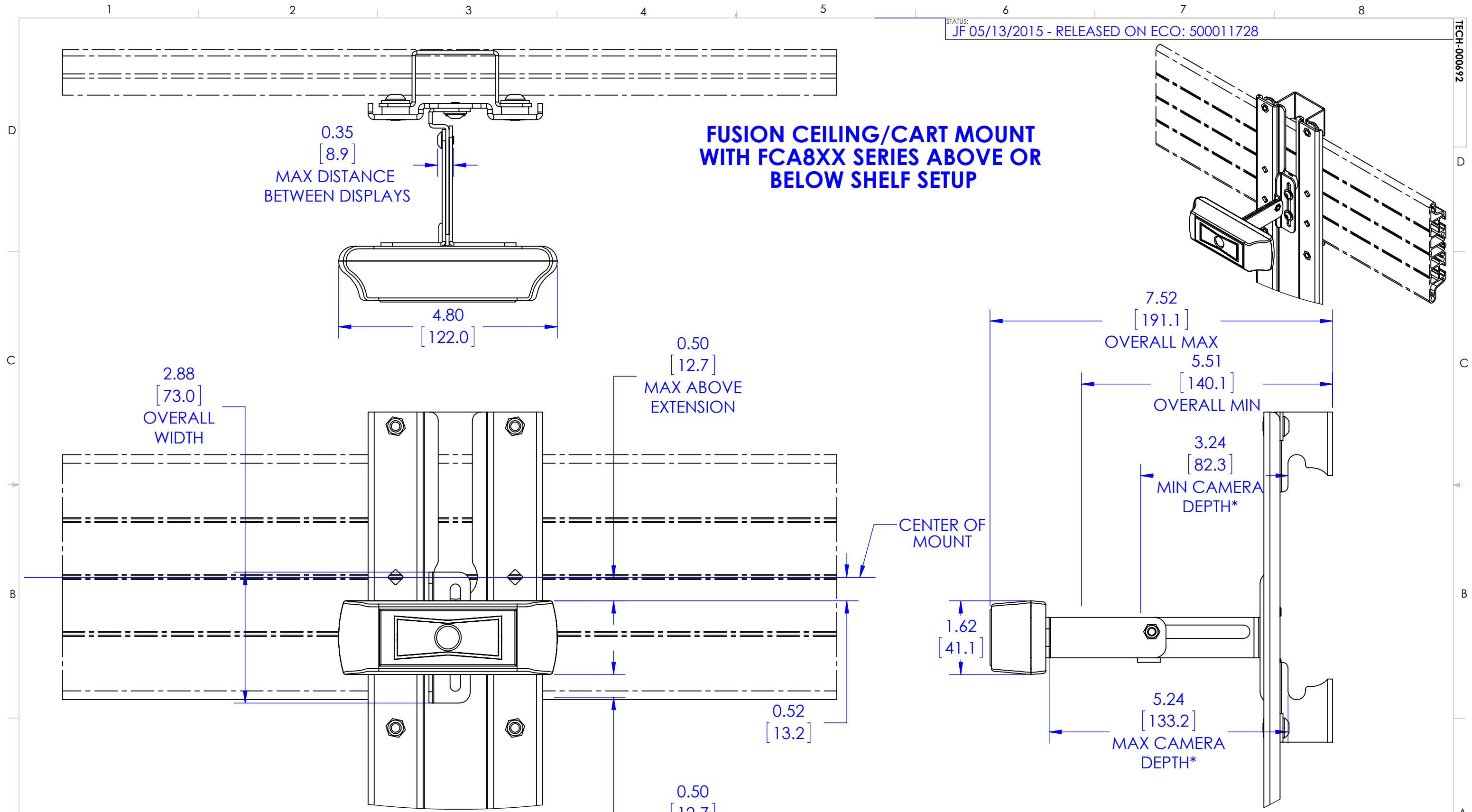


- *NOTES:**
- FCA623 DUAL MONITOR INTERFACES ARE 1.4" DEEP

THE INFORMATION AND DESIGNS CONTAINED IN THIS DRAWING ARE CONFIDENTIAL AND THE PROPRIETARY PROPERTY OF MILESTONE AV TECHNOLOGIES NEITHER THIS DESIGN NOR ANY INFORMATION CONTAINED IN THIS DRAWING MAY BE REPRODUCED OR DISCLOSED TO OTHERS WITHOUT THE EXPRESS WRITTEN CONSENT OF MILESTONE AV TECHNOLOGIES.

CAD GENERATED DRAWING, DO NOT MANUALLY UPDATE.			6436 CITY WEST PKWY EDEN PRAIRIE MN, 55344 PHONE: 866-977-3901 FAX: 877-894-6918	
DRAWN BY	JF	5/12/2015		
ENG APPROVAL			DESCRIPTION FUSION VIEWSHARE KIT - DUAL DISPLAYS	
MFG APPROVAL				
QA APPROVAL			MODEL NO. FCA820V & FCA820VE	
SHEET 2 OF 3				
			SIZE	B
			DWG. NO.	TECH-000692
			REV.	00

FUSION CEILING/CART MOUNT WITH FCA8XX SERIES ABOVE OR BELOW SHELF SETUP



- *NOTES:**
- FCA623 DUAL MONITOR INTERFACES ARE 1.4" DEEP

THE INFORMATION AND DESIGNS CONTAINED IN THIS DRAWING ARE CONFIDENTIAL AND THE PROPRIETARY PROPERTY OF MILESTONE AV TECHNOLOGIES NEITHER THIS DESIGN NOR ANY INFORMATION CONTAINED IN THIS DRAWING MAY BE REPRODUCED OR DISCLOSED TO OTHERS WITHOUT THE EXPRESS WRITTEN CONSENT OF MILESTONE AV TECHNOLOGIES.

CAD GENERATED DRAWING, DO NOT MANUALLY UPDATE.			CHIEF 6436 CITY WEST PKWY EDEN PRAIRIE MN, 55344 PHONE: 866-977-3901 FAX: 877-894-6918
DRAWN BY	JF	5/12/2015	
ENG APPROVAL			DESCRIPTION FUSION VIEWSHARE KIT - DUAL DISPLAYS
MFG APPROVAL			
QA APPROVAL			
SHEET 3 OF 3			MODEL NO. FCA820V & FCA820VE
SCALE	1:2	SIZE	DWG. NO. TECH-000692
		REV.	00