



H A Harman International Company

CK 33

Capsule Module

Description

Screw on capsule module fitting "Discreet Acoustics Modular" mounting modules, including a special windscreen, consisting of two materials, for better performance issues.

The capsule has a hypercardioid pickup pattern, with wide frequency range (50 to 20,000 Hz).

Specifications

Transducer Principle:	condenser prepolarized
Frequency Range:	50–20,000 Hz
Polar Pattern:	hypercardioid
Sensitivity at 1,000 Hz:	20 mV/Pa $\hat{=}$ -37 dBV*
Equivalent Noise Level:	< 21 dB (A)
Sound Pressure Level for 1 % THD:	125 dB
S/N Ratio (A-weighted):	> 73 dB
Electr. Impedance:	< 600 ohms
Power Requirement::	9 to 52 volts phantom power, requires DPA adapter (incl. in GN or HM modules)
Finish:	dark grey matte
Size:	13 \varnothing x 25 mm (0.5 \varnothing x 0.95 in.)
Special Features/Applications:	modular microphone system for conferencing, theatres, houses of worships and many others
Fitting Mounting Modules:	GN 15, GN 15 E, GN 30, GN 30 oc, GN 30 E, HM 1000
Included Accessories:	W 30 foam windscreen
Optional Accessories:	B 18 battery power supply N 62 E, N 66 E AC power supplies, PS 3 F-Lock panel mount socket, H 600 + A 608 shock mount, SA 40, SA 50 stand adapters, SA 80 clamp, ST 1, ST 5/3, ST 45, ST 46 table stands

Features

- Screw on capsule
- Hypercardioid pickup pattern
- High performance windscreen
- Wide frequency range

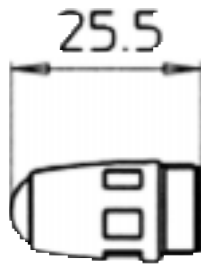
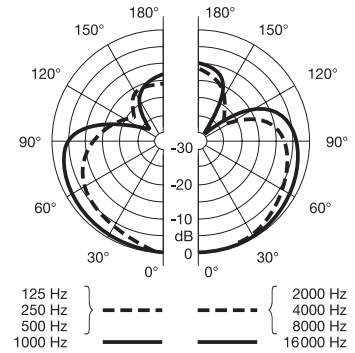
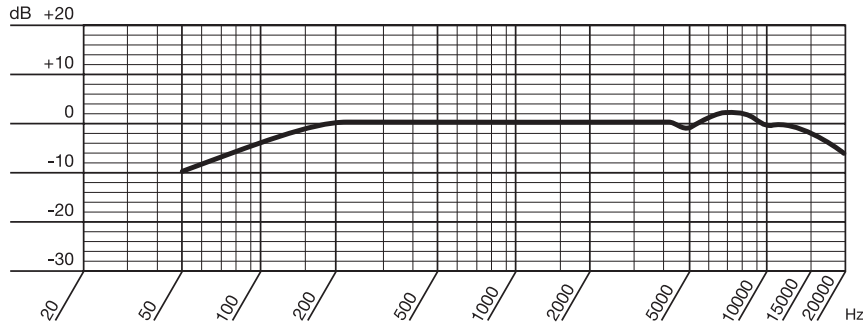


Architect's and Engineer's Specifications

The capsule module shall be a fixed-charge condenser type, with hypercardioid polar pattern and a frequency response of 50 to 20,000 Hz. It shall have a sensitivity of 20 mV/Pa. Powering shall be possible from 9 to 52 volts phantom power. It shall include a high performance windscreen, consisting of two materials, one for dispersing

the airstream and one to calm it down. It shall have a diameter of 13 mm (0.5 in.) and a screw on thread connection for the mounting module. The capsule module shall be an AKG Acoustics CK 33.

Graphical Data



AKG is constantly improving and modifying its products, therefore, specifications are subject to change without notice.

Limited Warranty

Valid only in the United States. AKG Acoustics warrants AKG products against defects in material or workmanship for a period of one year from the date of original purchase for use, and agrees to repair or, at our option, replace any defective unit without charge for either parts or labor. Important: This warranty does not cover damage resulting from accident, misuse or abuse, lack of reasonable care, the affixing of any attachment not provided with the product, loss of parts or connecting the product to any but the specified receptacles. This warranty is void unless service or repairs are performed by an authorized service center.

No responsibility is assumed for any special, incidental or consequential damages. However, the limitation of any right or remedy shall not be effective where such is prohibited or restricted by law. Simply take or ship you AKG product prepaid to our service department. Be sure to include your sales slip as proof of purchase date. (We will not repair transit damage under the no-charge terms of this warranty.) Note: No other warranty, written or oral is authorized by AKG Acoustics, Inc. This warranty gives you specific legal rights, and you may also have other rights which vary from state to state. Some states do not allow the exclusion or limitation of incidental or consequential damages or limitation on how long an implied warranty lasts, so the above exclusions and limitation may not apply to you.

Microphones · Headphones · Wireless Microphones · Wireless Headphones · Headsets · Electroacoustical Components



H A Harman International Company

AKG Acoustics GmbH
Lemböckgasse 21-25, P.O.B. 158, A-1230 Vienna/AUSTRIA
Tel: (43 1) 86 654-0*, Fax: (43 1) 86 654-516
Internet: <http://www.ake-acoustics.com>

AKG Acoustics; A Division of Harman Pro Germany
Bodenseestraße 228, D-81243 München/GERMANY
Tel: (089) 87 16-0, Fax: (089) 87 16-200

Arbiter Pro Audio
Wilberforce Road, London NW9 6AX/ENGLAND
Tel: (0181) 202 1199, Fax: (0181) 202 7076

AKG ACOUSTICS, U.S.
1449 Donelson Pike, Airpark Business Centre 12,
Nashville, TN 37217, U.S.A.
Tel: (615) 360-0499, Fax: (615) 360-0275

Studer Japan Ltd.
2-43-7, Uehara, Shibuya-ku, Tokyo 151-0064/JAPAN
Tel: (813) 3465-2211, Fax: (813) 3465-2214

Erikson Pro Audio
620 McCaffrey, St-Laurent, Quebec, H4T 1N1, CANADA
Tel: (514) 738-3000, Fax: (514) 737-5069
Internet: www.jam-ind.com/eriksonpro