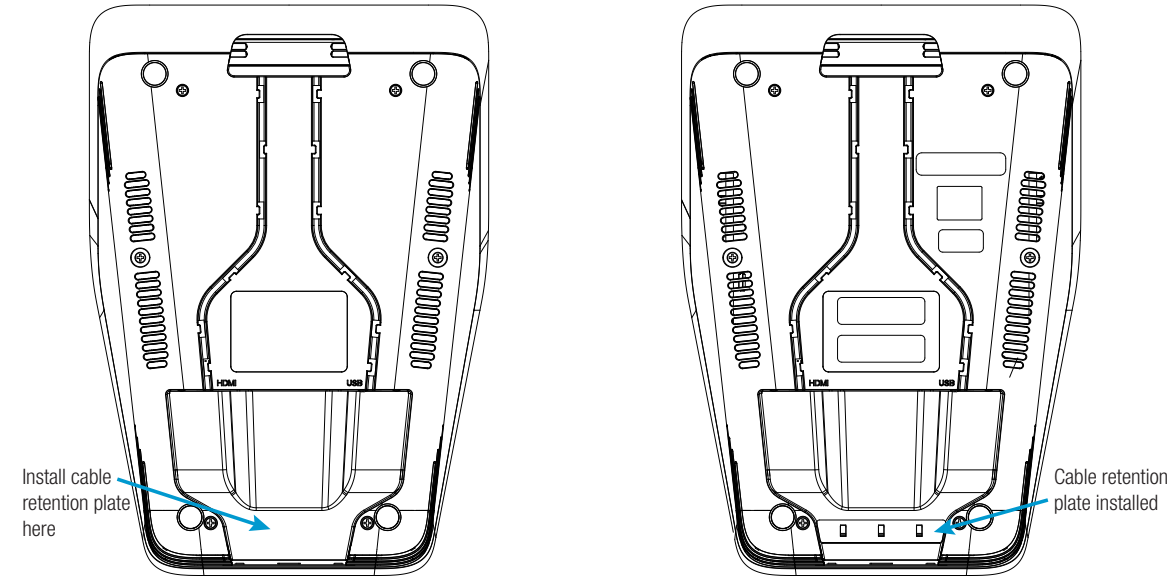


## CCS-UC-1 Tabletop Conference System

### DO Install the Cable Retention Plate (Optional)

Install the cable retention plate as shown in the following diagram.

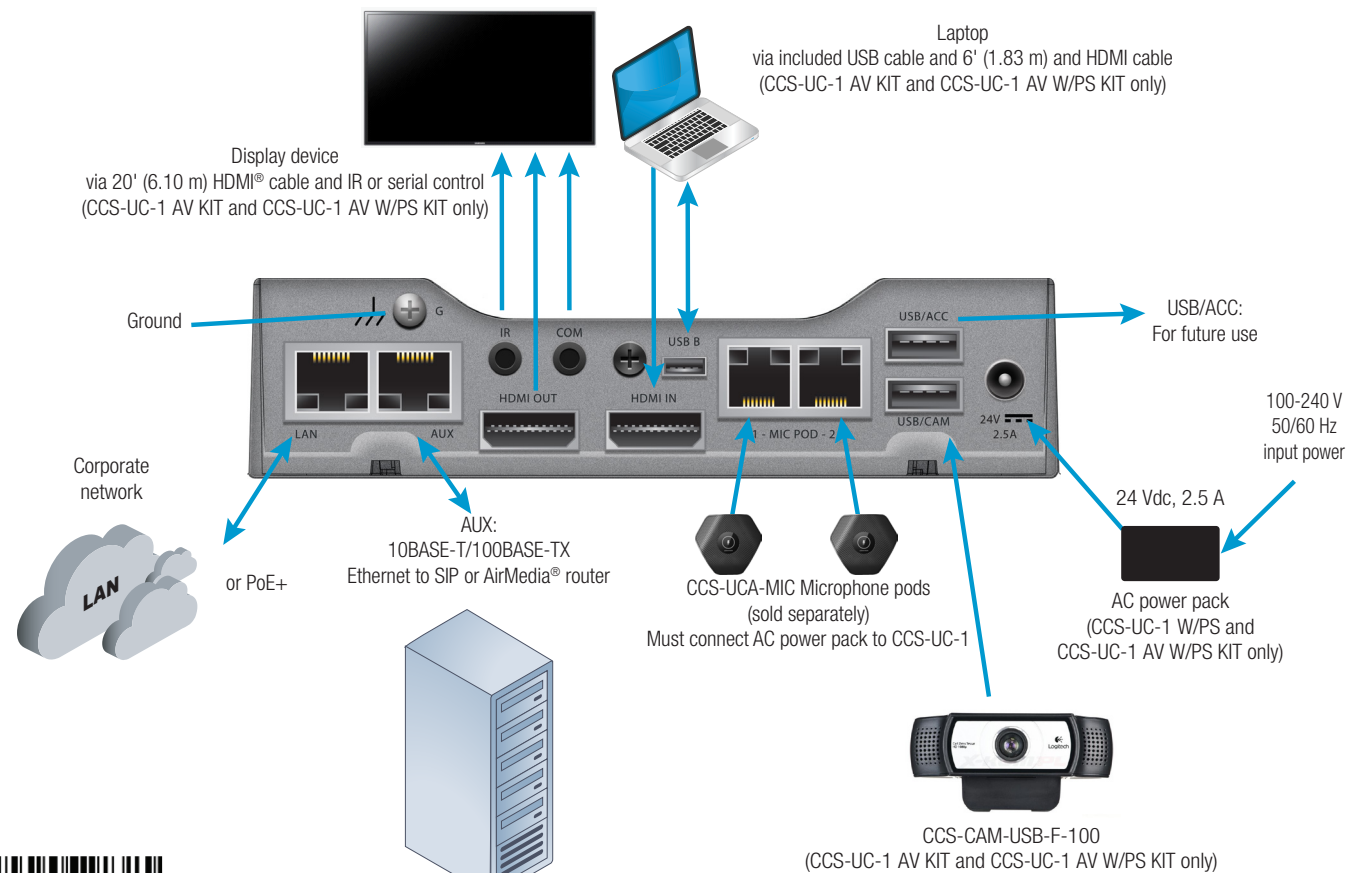
**CAUTION:** When turning over the device, place the device on a soft surface to avoid damage to the unit.



### DO Connect the Device

#### Hardware Hookup

Make the necessary connections as called out in the following diagram. Connect power last.



### DO Check the Box

QUANTITY	PRODUCT	COLOR	PART NUMBER
1	Cable, USB 2.0, A - micro B, 6' (1.83 m)		2047803
1	Cable, RJ-45 Male - RJ-45 Male, 12' (3.66 m)		2033988
1	Retention Plate, Cable		2047908
3	Tie Wrap		2047935
<b>Items for CCS-UC-1 W/PS</b>			
1	Power Pack, PW-2420RU		6500187
<b>Items for CCS-UC-1 AV KIT</b>			
1	Cable, HDMI, 20' (6.10 m)		6503567
1	Cable, USB 2.0, A Female - A, 15' (4.57 m)		6508260
1	Cable, HDMI, 6' (1.83 m), Thin		6508218
1	Camera, CCS-CAM-USB-F-100		6506442
1	IR Emitter Probe, STIRP		6500940
<b>Items for CCS-UC-1 AV W/PS KIT</b>			
1	Cable, HDMI, 20' (6.10 m)		6503567
1	Cable, USB 2.0, A Female - A, 15' (4.57 m)		6508260
1	Cable, HDMI, 6' (1.83 m), Thin		6508218
1	Camera, CCS-CAM-USB-F-100		6506442
1	IR Emitter Probe, STIRP		6500940
1	Power Pack, PW-2420RU		6500187

**CAUTION:** PoE-type networks connected to these ports are for intrabuilding use only and should not be connected to lines that run outside of the building in which this product is located.

**NOTE:** The device can receive power over PoE+ or the included power pack. A power pack must be connected to the device if CCS-UCA-MIC microphone pods are to be used.

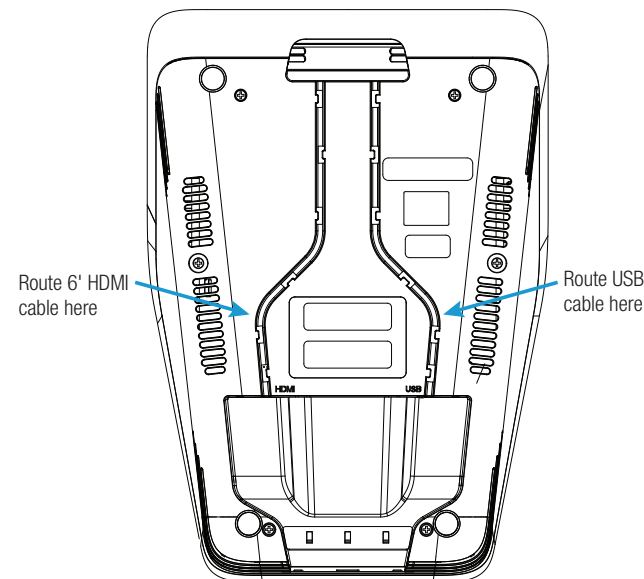
#### Secure the Cables to the Cable Retention Plate

**CAUTION:** When turning over the device, place the device on a soft surface to avoid damage to the unit.

Use the included wire tie to secure all of the cables to the cable retention plate that was installed in "DO Install the Cable Retention Plate."

#### Route the USB and HDMI IN Cables

Press the USB and HDMI IN cables into the channels on the underside of the device as shown in the following diagram so that the connectors can be routed to the front of the device.



### DO Configure the Device

Use the device's web interface to configure the device. For details on configuring the device, refer to the CCS-UC-1 Supplemental Guide (Doc. 7844) at [www.crestron.com/manuals](http://www.crestron.com/manuals).



## DO Learn More

Visit the website for additional information and the latest firmware updates. To learn more about this product, use a QR reader application on your mobile device to scan the QR image.

### Crestron Electronics

15 Volvo Drive, Rockleigh, NJ 07647  
888.CRESTRON | [www.crestron.com](http://www.crestron.com)



As of the date of manufacture, the product has been tested and found to comply with specifications for CE marking.

#### Federal Communications Commission (FCC) Compliance Statement

This device complies with part 15 of the FCC Rules. Operation is subject to the following two conditions:

(1) This device may not cause harmful interference, and (2) this device must accept any interference received, including interference that may cause undesired operation.

**CAUTION:** Changes or modifications not expressly approved by the manufacturer responsible for compliance could void the user's authority to operate the equipment.

**NOTE:** This equipment has been tested and found to comply with the limits for a Class B digital device, pursuant to part 15 of the FCC Rules. These limits are designed to provide reasonable protection against harmful interference in a residential installation. This equipment generates, uses and can radiate radio frequency energy and, if not installed and used in accordance with the instructions, may cause harmful interference to radio communications. However, there is no guarantee that interference will not occur in a particular installation.

If this equipment does cause harmful interference to radio or television reception, which can be determined by turning the equipment off and on, the user is encouraged to try to correct the interference by one or more of the following measures:

- Reorient or relocate the receiving antenna.
- Increase the separation between the equipment and receiver.
- Connect the equipment into an outlet on a circuit different from that to which the receiver is connected.
- Consult the dealer or an experienced radio/TV technician for help.

#### Industry Canada (IC) Compliance Statement

CAN ICES-3(B)/NMB-3(B)

Crestron product development software is licensed to Crestron dealers and Crestron Service Providers (CSPs) under a limited non-exclusive, non-transferable Software Development Tools License Agreement. Crestron product operating system software is licensed to Crestron dealers, CSPs, and end-users under a separate End-User License Agreement. Both of these Agreements can be found on the Crestron website at [www.crestron.com/legal/software\\_license\\_agreement](http://www.crestron.com/legal/software_license_agreement).

The specific patents that cover Crestron products are listed at <http://www.crestron.com/legal/patents>.

The product warranty can be found at [www.crestron.com/warranty](http://www.crestron.com/warranty).

Certain Crestron products contain open source software. For specific information, please visit [www.crestron.com/opensource](http://www.crestron.com/opensource).

Crestron, the Crestron logo, and AirMedia are either trademarks or registered trademarks of Crestron Electronics, Inc. in the United States and/or other countries. HDMI is either a trademark or registered trademark of HDMI Licensing LLC in the United States and/or other countries. Other trademarks, registered trademarks, and trade names may be used in this document to refer to either the entities claiming the marks and names of their products. Crestron disclaims any proprietary interest in the marks and names of others. Crestron is not responsible for errors in typography or photography.

This document was written by the Technical Publications department at Crestron.

©2017 Crestron Electronics, Inc.