

Access Fit/Series V

Ceiling recess case now. Install screen/roller assembly later at job site

by 

Specifications—Access Fit/Series V

Projection screens, size _____ h. x _____ w., recessed ceiling mounting. Case back, top, and front constructed of steel. Endcaps are steel. Bottom panel forms slot for passage of viewing surface, easily removable for access. Symmetrical housing to allow for left or right-hand motor location, and for viewing surface to unroll from the back or front of the roller. Case to include bottom flange for trim around edges of ceiling opening. Case may be mounted with 3/8" threaded rod, with lag screws through brackets, or with wire in a grid ceiling. Mounting brackets slide in 18" long channels on top of case, allowing brackets to be moved to avoid interference with conflicting building structures. Brackets may be locked in position by tightening screws. Brackets may also be angled to meet installation requirements.



Roller/fabric assembly may be installed in case at factory or job site. Brackets supporting roller/fabric assembly to slide in track inside top of case, allowing viewing surface to be centered in case regardless of screen size. Roller of 2" dia. steel. Top of HDTV and 16:9 format viewing surfaces through 110" diagonal masked by 12" black drop. Viewing surface flame and mildew resistant. Matt White XT1000V and Contrast Grey XH800V viewing surfaces are certified to GREENGUARD standards for low chemical emissions into indoor air during product usage. For more information, visit ul.com/gg.

PLEASE MARK APPROPRIATE SELECTIONS

Select Shipping Option:

- Case Now, Screen Assembly Later ¹
- Complete Unit Now

Select Case Color:

- White (standard)
- Black (optional)

Select Viewing Surface:

- Matt White XT1000V (1.0 gain): GREENGUARD Gold certified
- Grey XH600V (0.6 gain) (Thru 9' x 12'): GREENGUARD Gold certified
- Pearl White MH1500V (1.5 gain) (Thru 9' x 12'): Optional
- Pure White XT1300V (1.3 gain): Optional
- Rear Projection Surface: Optional _____
- Other _____

Select Motor and Controls:

Standard Voltage Motor and Control Options:

- 110-120V AC (standard)
- Optional Quiet Motor ²

Please Note: These motors come with one 110V-120V AC 3-position wall switch (silver wall plate with black rocker).

- Total number of 110-120V AC switches (operate independently)
- Substitute white switch(es) for silver wall plate with black rocker
- Optional Key Operated Switch
 - Power Supply Key Switch (On-off)
 - 3-Position Key Control
 - 3-Position Switch with Hinged Key-Locking Coverplate

Low Voltage Motor and Control Options:

- Internal LVC-IV (Low Voltage Control Module)
- External LVC-IV (Low Voltage Control Module)
- Motor with Built-In Low Voltage Controller ¹
- Quiet Motor with Built-In Low Voltage Controller ^{1,3}

Please Note: Select Control Options for Low Voltage from below.

- 24 Volt 3-Button Switch Number of 24V switches: _____
- Radio Frequency Remote Control (only with 24v)
- Infrared Remote Control (only with 24v)
- Optional Key Operated Switch
 - Power Supply Key Switch (On-off)
 - 3-Position Switch with Hinged Key-Locking Coverplate

Select Motor Location:

- Left end (standard)
- Right end

Optional Accessories:

- Additional set of mounting brackets for alternate mounting (see page 2)
- Additional Drop _____ (Beyond standard 12") ⁵
 - Total Drop _____ (Standard 12" + Additional drop)
 - (Total screen height cannot exceed 96")
 - Black (standard)
 - Same color as viewing surface

Electrically operated 110-120V AC, 60 Hz. 4-wire motor mounted inside screen roller, 1.1 amp current draw, instantly reversible, lifetime lubricated, with internal thermal overload protector and electric brake, standard motor with preset accessible switches. Optional Quiet Motor operates at 44 Db (motor noise is approximately 30% less than standard tubular motors). Housing to feature internal junction box, allowing it to be installed and wired to building supply wires at an early stage of construction. Junction box to have plug-in style connector, accepting the mating half of the connector from the motorized roller/fabric assembly. 3-position control switch (or switches—specify number) to stop or reverse screen at any point. Switch(es) furnished with cover plate. Patented by Draper, Inc.

Patent information available at <http://www.draperinc.com/legal/patents/>
Downloadable 3-part specifications are available at www.draperinc.com.

Entire unit certified by Underwriters' Laboratories for the U.S. and Canada. Plenum rated case (UL approved "Suitable for Use in Environmental Air Space"). Specifications subject to change without notice.

Dimensions & Data

Nominal Diagonal	Image Area	Case Length ⁵	Dowel Length	Net Wt. (lbs.)	Qty.
16:10 Format					
94"	50" x 80"	107"	90 7/8"	76	
109"	57 1/2" x 92"	119"	103 7/8"	80	
113"	60" x 96"	126"	107 3/4"	80	
123"	65" x 104"	131"	115 7/8"	85	

HDTV Format (16:9)					
92"	45" x 80"	107"	90 7/8"	76	
100"	49" x 87"	113"	97 7/8"	80	
106"	52" x 92"	119"	102 7/8"	80	
110"	54" x 96"	126"	107 7/8"	80	
119"	58" x 104"	131"	115 7/8"	85	

NTSC Video Format (4:3)					
6'	42 1/2" x 56 1/2"	85"	67 3/8"	60	
7'	50" x 66 1/2"	92"	77 3/8"	68	
100"	60" x 80"	107"	91 7/8"	73	
10'	72" x 96"	126"	108 7/8"	92	
11'	78" x 104"	132"	116 7/8"	98	

Size H x W	Case Length ⁵	Dowel Length	Net Wt. (lbs.)	Qty.
Audio Visual Format				
50" x 50"	76"	60 7/8"	58	
60" x 60"	87"	71 7/8"	66	
70" x 70"	98"	85 7/8"	69	
84" x 84"	113"	96 7/8"	74	
72" x 96"	126"	108 7/8"	92	

Custom Size

¹ Please note: When ordering a motor with built-in Low Voltage Controller, if the case ships separate from the "outs," the case includes the 25' cable and special low voltage switch.

^{2,3} For size limitation charts for Quiet Motors and Quiet Motors with Built-In Low-Voltage Controller, see below.

⁴ Factory-installed VIC will not increase overall case lengths shown at right.

⁵ Extra drop increases case and dowel length. Specify at time of order and contact Draper if this dimension is critical. Case sizes include 1/8" flange on each end of case. Subtract 1 1/4" for rough ceiling cutout size.

² Quiet Motor Size Limitations			
AV	NTSC	HDTV	16:10
108" x 144"	180"	161"	165"

³ Quiet Motor w/ LVC Size Limitations			
AV	NTSC	HDTV	16:10
96" x 96"	11'	119"	123"

Also available in 1.85:1, 2.35:1 and 15:9 Formats. Contact Draper.

PROJECT: _____

ARCHITECT: _____

CONTRACTOR: _____

SUPPLIER: _____

DATE: _____ REVISED: _____



411 S. Pearl St., Spiceland, IN 47385 USA ■ 765-987-7999

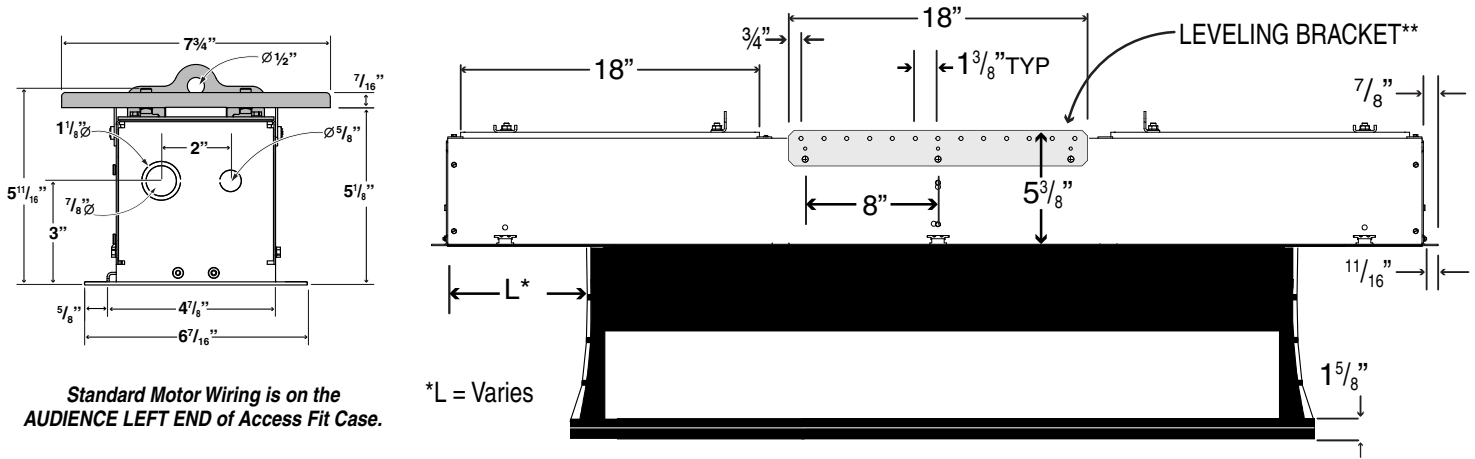
www.draperinc.com ■ fax 765-987-7142

Copyright © 2017 Draper Inc.

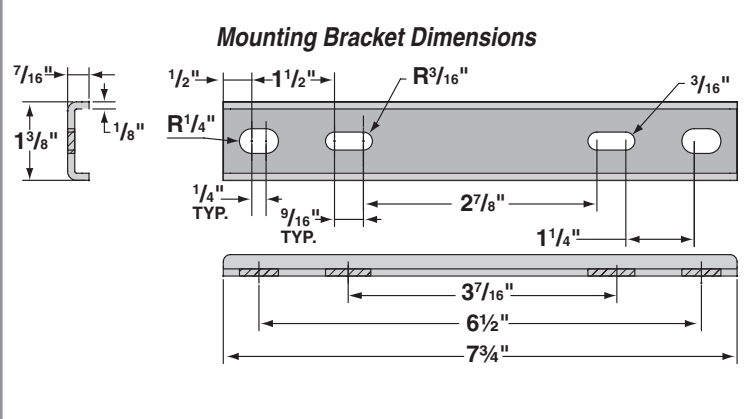
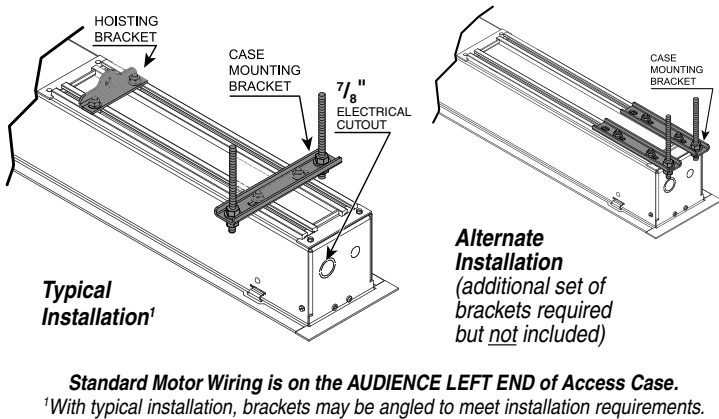
Form AccessFitV_Sub17

Printed in U.S.A.

CASE DIMENSIONS AND METHODS OF INSTALLATION



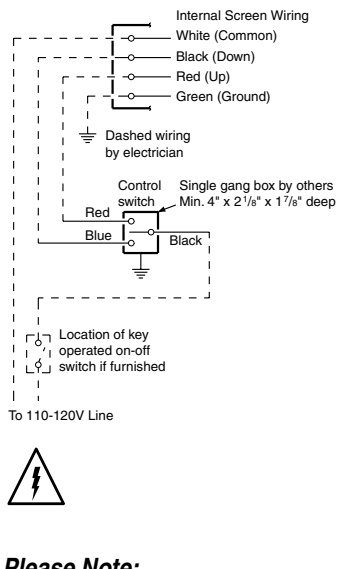
For minimum ceiling cutout subtract 1/4" from case length and width (measured from outer edge of flanges).
 **There are several knock-outs in the screen housing to allow the Leveling Bracket to be adjusted laterally (up to 16" in either direction)



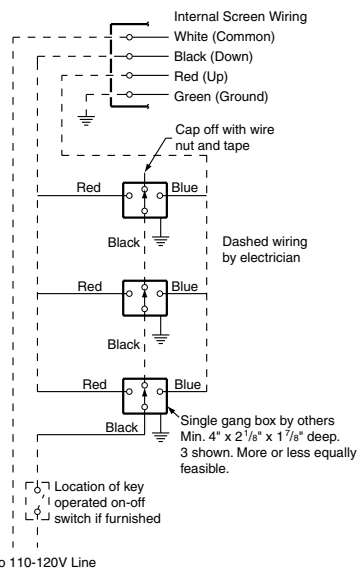
WIRING DIAGRAMS²

110-120V Motor and Quiet Motor

Single Station Control

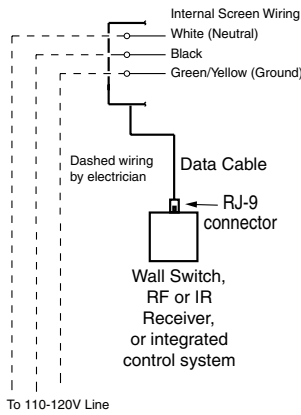


Multiple Station Control

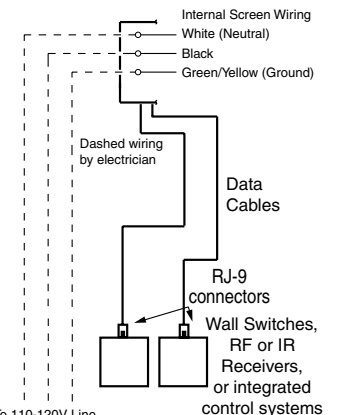


110-120V Motor and Quiet Motor
 (Internal Low Voltage Controller)

Single Low Voltage Control



Multiple Low Voltage Controls



² For more information and wiring diagrams for serial and network communication, please see wiring diagrams supplied with individual items.

Please Note:
 For external low voltage (LVC-IV), serial (LVC-IV) and network (LVC-IV) wiring diagrams, please consult instructions for those modules.

PROJECT: _____

SUPPLIER: _____

DATE: _____ REVISED: _____