

No: 1001759R2 – 1116

Installation Instructions • Notice d'Installation • Instrucciones de Instalación

Catalog Number(s) • Numéro(s) de Catalogue • Número(s) de Catálogo:

AP-FITTC, FITPLUG-C, FITPLUG-T, and RCAPFFTC

Abandonment Options:

FIT Abandoned with Poke-Thru Stem in Floor – Use AP-FITTC

FIT Abandoned with Poke-Thru Stem Removed – Use FITPLUG-C or FITPLUG-T

RC91GHBTC, RC92GHBTC – Use RCAPFFTC

RC9FFTC – Use RCAPFFTC

Country of Origin • Pays d'origine • País de origen:

Made in US • Fabriqué aux États-Unis • Hecho en US

IMPORTANT:

Please read all instructions before beginning installation

Legrand electrical systems conform to and should be properly grounded in compliance with requirements of the current National Electrical Code or codes administered by local authorities.

All electrical products may present a possible shock or fire hazard if improperly installed or used. Legrand electrical products may bear the mark of a Nationally Recognized Testing Laboratory and should be installed in conformance with current local and/or the National Electrical Code.

IMPORTANT :

Veillez lire l'ensemble des instructions avant de commencer l'installation.

Les systèmes électriques Legrand sont conformes au Code National de l'électricité (National Electrical Code) ou aux codes locaux en vigueur et doivent être mis à la terre conformément à ces codes.

Tous les produits électriques peuvent présenter un risque d'électrocution ou d'incendie s'ils ne sont pas installés ou utilisés correctement. Les produits électriques Legrand peuvent porter la marque d'un laboratoire reconnu et doivent être installés conformément au Code national de l'électricité et/ou aux codes locaux en vigueur.

IMPORTANTE:

Lea todas las instrucciones antes de comenzar la instalación.

Los sistemas eléctricos Legrand cumplen con los requisitos del Código Eléctrico Nacional (National Electrical Code, NEC) actual o con los códigos impuestos por las autoridades locales y deben conectarse a tierra consecuentemente.

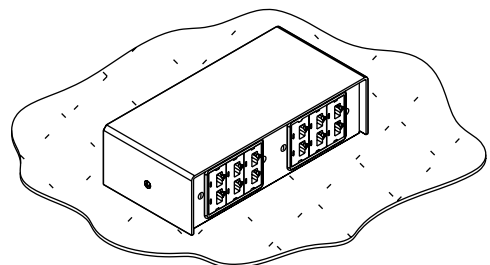
Todos los productos eléctricos pueden presentar un riesgo de descarga o incendio si se los instala o utiliza incorrectamente. Los productos eléctricos Legrand pueden llevar la marca de un laboratorio de pruebas reconocido a nivel nacional y se deben instalar conforme al código local en vigencia o al Código Eléctrico Nacional.

Abandonment plates are required to maintain the fire rating of the floor assembly whenever a poke-thru fitting is abandoned or removed from the floor. The abandonment plates in these instructions are shown in the UL Fire Resistance Directory.

FIT Abandoned with Poke-Thru Stem in Floor: (Use AP-FITTC)

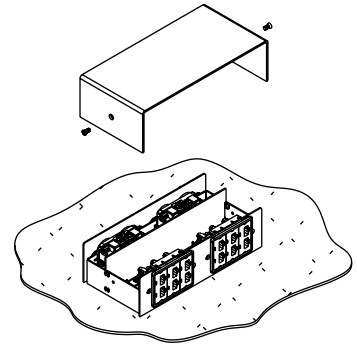
1

Disconnect electrical service from service fitting.



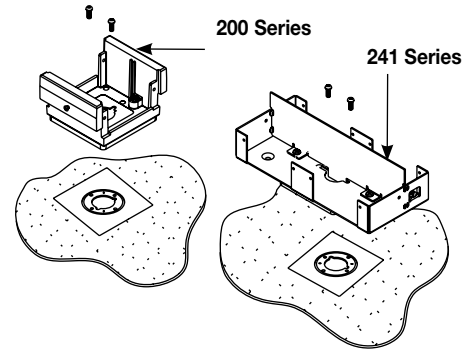
2

Remove side screws and top of 200 or 241 Service Head. Remove receptacles and communication modules. Remove cables.



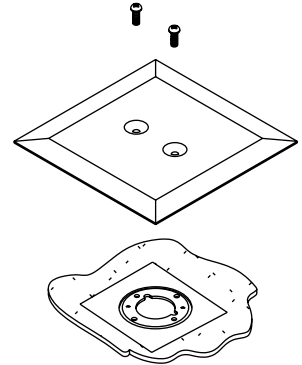
3

Remove two anchoring screws and base of service head.



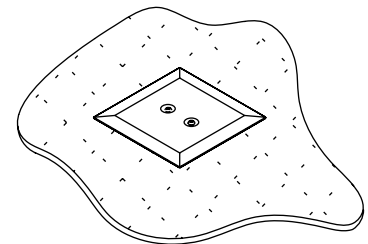
4

Attach abandonment plate with two #8-32 screws.



5

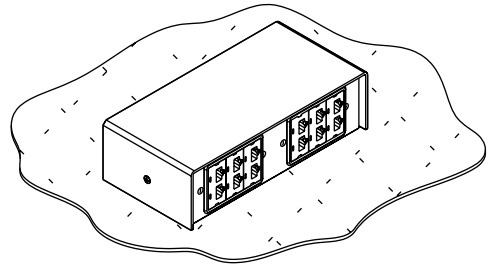
Completed installation.



FIT Abandoned with Poke-Thru Stem Removed: (Use FITPLUG-C or FITPLUG-T)

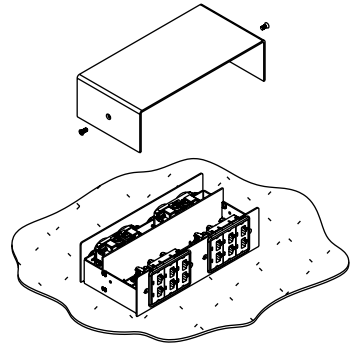
1

Disconnect electrical service from service fitting.



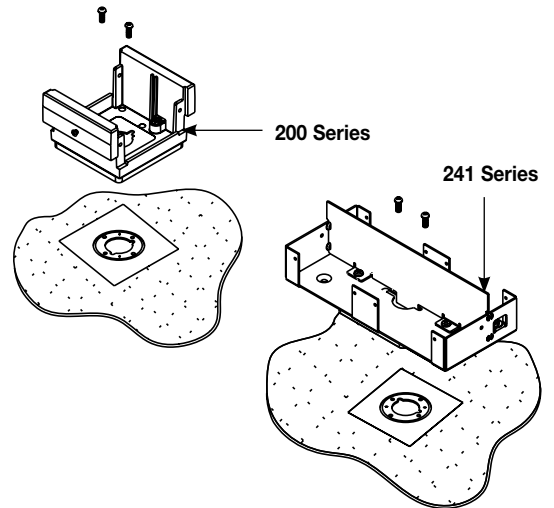
2

Remove side screws and top of 200 or 241 Service Head.
Remove receptacles and communication modules.
Remove cables.



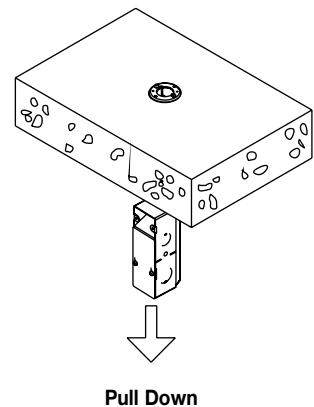
3

Remove two anchoring screws and base of service head.



4

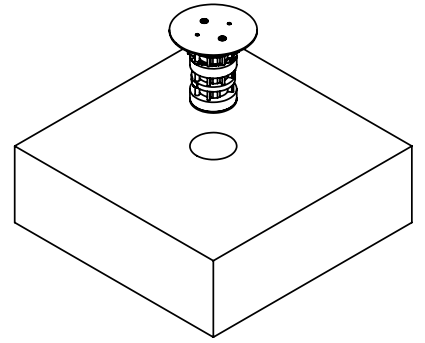
Pull poke-thru device body through floor from below.



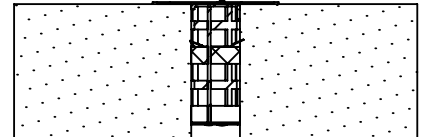
5

- A. Align FITPLUG-C or FITPLUG-T with opening in surface.
- B. **For Carpet:** Push plug down into hole until round plate seats against concrete.
For Tile: Push plug down into hole until rectangular plate seats against tile surface.

Step A



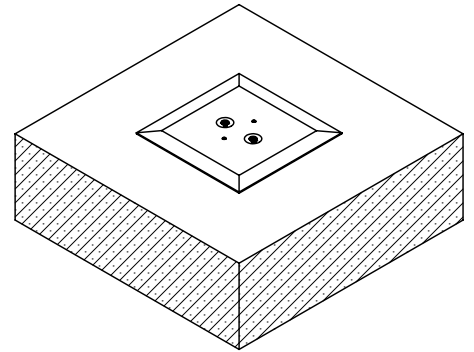
Step B



6

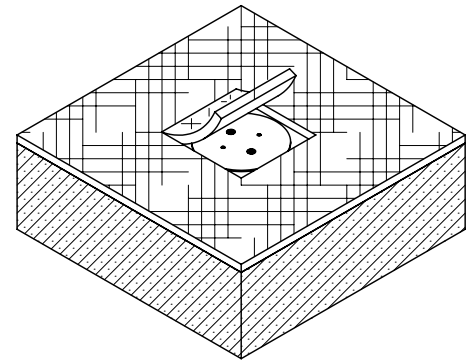
Complete installation on tile or carpet.

Tile



Carpet

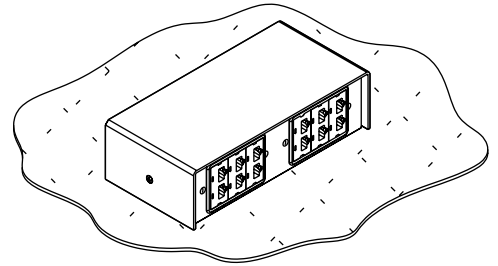
Glue Carpet Over
Abandonment Fitting



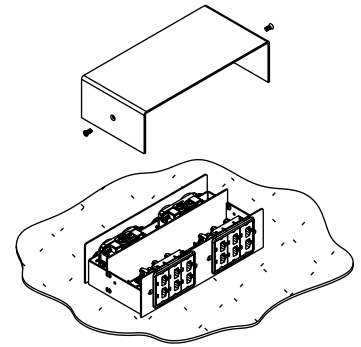
RC91GHBTC and RC92GHBTC: (Use RCAPFFTC)

1 Disconnect electrical service from service fitting.

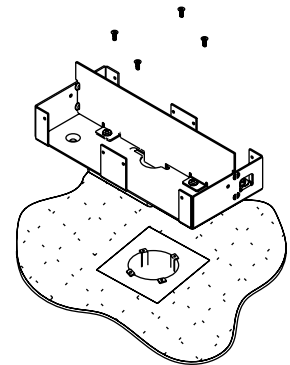
NOTE: Includes 291 and 292 Pedestal Service Fitting.



2 Remove side screws and top of service head. Remove receptacles and communication modules. Remove cables.

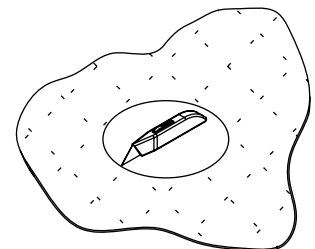


3 Remove four anchoring screws and base of service head.



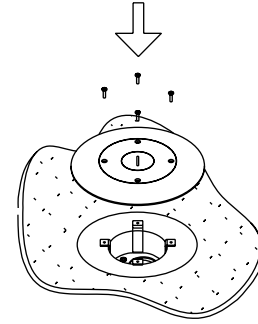
4 Cut 6 1/2" [165mm] diameter hole in carpet that is concentric with the cored hole.

NOTE: Use template provided on last page of instruction sheet.



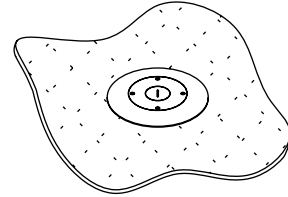
5

Attach abandonment plate with the four #6-32 screws provided.



6

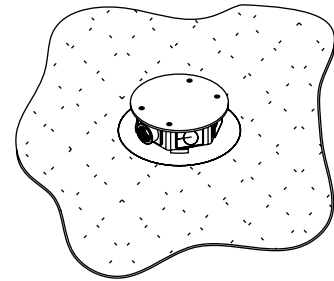
Completed installation



RC9FF: (Use RCAPFFTC)

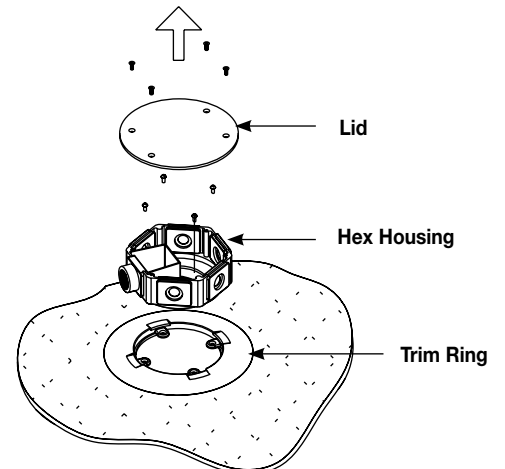
1

Disconnect electrical service from service fitting.



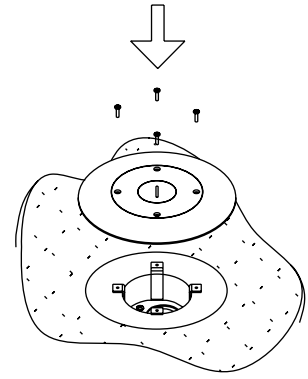
2

Remove cables. Remove lid, eight anchoring screws, hex housing, and trim ring.



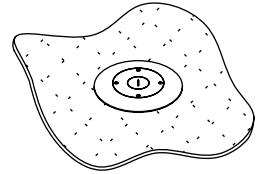
3

Attach abandonment plate with the four #6-32 screws provided.

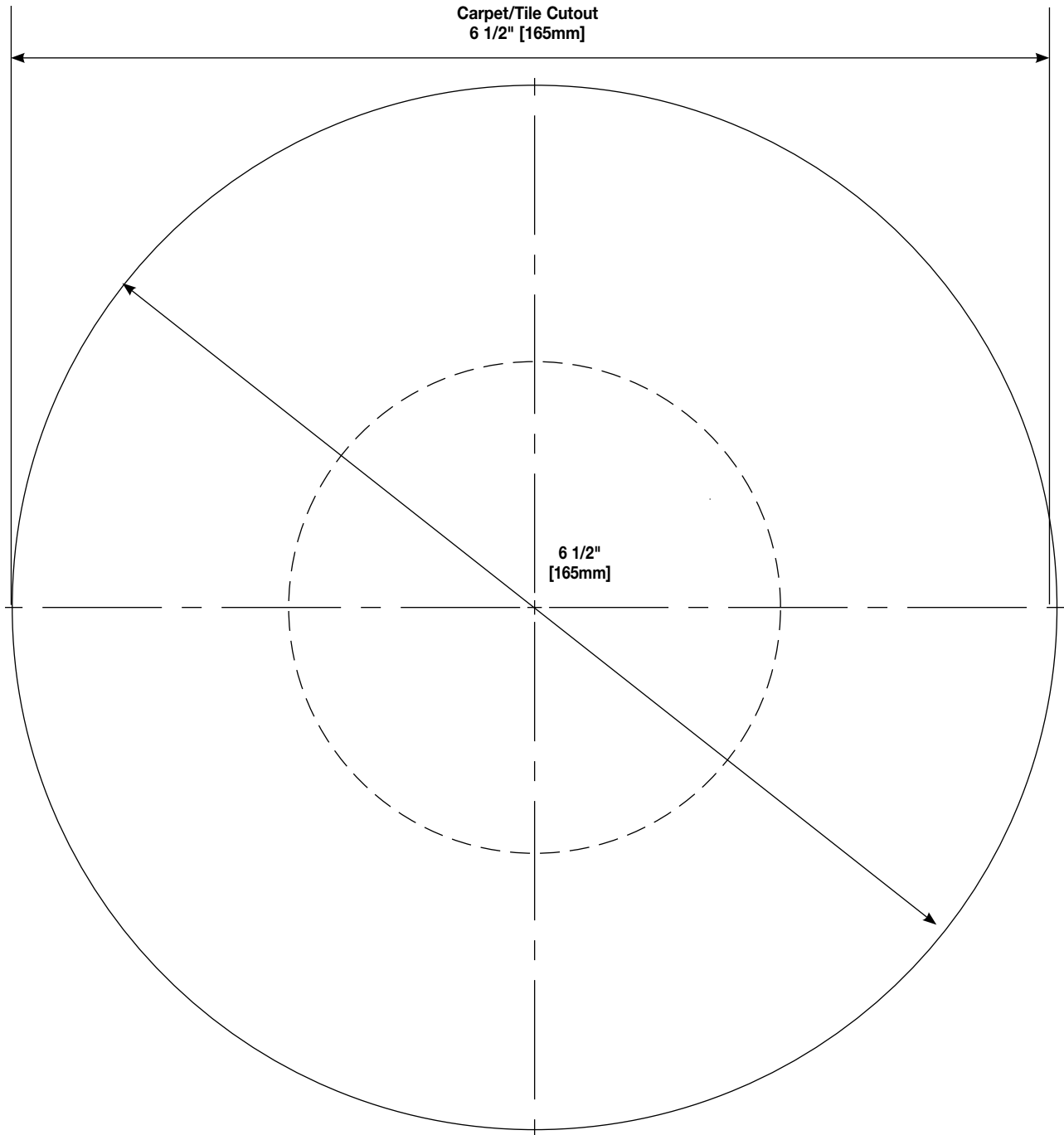


4

Completed installation.



Template for 6 1/2" [165mm] Cutout Required for RC91GHB/RC92GHB Abandonment Installation:



CAUTION: When printing copies of this template, please be sure template is scaled correctly and is the correct size once it is printed.

No: 1001759R2 1116

legrand®

860.233.6251
1.877.BY.LEGRAND
www.legrand.us
www.legrand.ca

© Copyright 2016 Legrand All Rights Reserved.
© Copyright 2016 Tous droits réservés Legrand.
© Copyright 2016 Legrand Todos los derechos reservados.

