

### A202BB DESK STAND FOR MODEL MX202 MICROPHONES

#### GENERAL

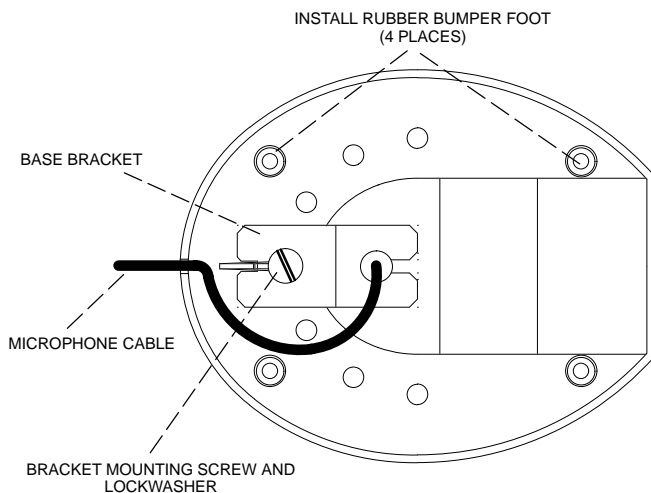
The A202BB Desk Stand is designed to permit using the Shure Model MX202 Overhead Microphone on a flat horizontal surface.

Qty	Shure Part #	Description
1	30D587B	Screw, No. 6-32, 5/16"
1	30G610B	Lockwasher
1	53A2084	Base Bracket
1	66B342	Grommet
4	66A294	Bumper Foot
1	90B4349	Base

#### Assembly Instructions

The Desk Stand is shipped disassembled. Assembly of the stand and mounting of the microphone are accomplished at the same time using the following procedure.

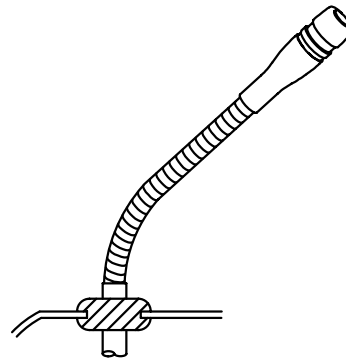
1. Press each of the supplied four bumper feet over the four bosses in the stand base.



**FIGURE 1**

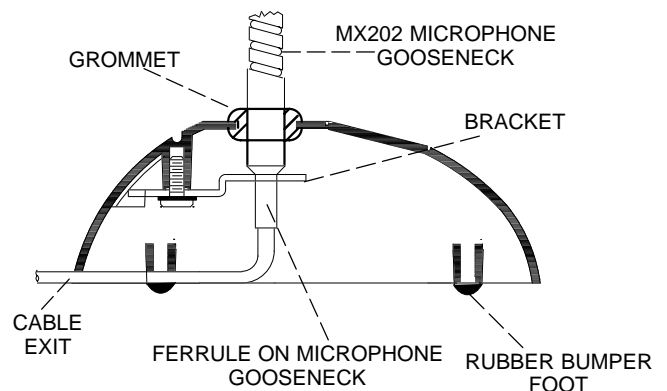
2. Insert the MX202 up through the mounting hole in the base using caution not to scratch the MX202. Pull about 3 in. of cable through the mounting hole.

3. Slide the cable from the MX202 microphone through the slit in the side of the grommet.
4. Insert one end of the split grommet into the hole. Then work the bottom half of the grommet into the hole in a circular fashion.



**FIGURE 2**

5. Install the base bracket and fasten firmly with the supplied screw and lockwasher, threading the cable from MX202 through the slot and hole in base bracket (see Figure 1).
6. Slide the cable from the MX202 down through the grommet on the A202BB until the ferrule on the cable end of the gooseneck fits firmly in the bracket (see Figure 3).
7. Thread the cable out through the cable exit on the bottom of the A202BB. The final assembly should look like Figure 3.



**FINAL ASSEMBLY  
FIGURE 3**