

Product Manual

232-Amp+

RS-232 Stereo Mixer/Amplifier

Ver 1.5 May 16, 2012



Table of Contents

Overview 3
Specifications 4
Field Setup 5
Mix/Ducking Operation 5
RS-232 Control Protocol 6
RS-232 Commands 7
 Control Commands 7
 Terminal Communication Commands 8
 RS-232 Command Hints and Tips 8
Response Strings 9
 Input 0 (Stereo) Status Response String (V0): 9
 Input 1 Status Response String (V1): 9
 Input 2 Status Response String (V2): 9
 Amp Status Response String (SV): 9
 Amp Gain Response String (VG): 9
RS-232 Cable Connections 10
 Single 232-Amp 10
 Tuner/232-Amp+ Daisy-Chain 10
 RK1 and RK1-HD Single Unit Rack Mount 11
 RK3 AV Tool Rack Kit 11
Safety Instructions 12
Limited Warranty and Disclaimer 13

Overview



The Contemporary Research 232-Amp+ is a compact, programmable mixer/amplifier aimed at integration with flat-panel displays and video projectors. The versatile amp features a stereo line-level display/projector audio input and two mono aux inputs, and outputs stereo sound at 40 watts RMS. The aux inputs mix levels with the stereo input, and can be set to mute or lower other inputs when active, ideal for wireless mics and paging applications. The Class D amplifier is highly energy-efficient, using 90% of DC power for amplification, operating with very little heat, and consuming almost no power at all when quiet.

The 232-Amp+ fastens to the top of CR's 232- and iC-series tuners with the optional SMA Surface-Mount Adapter, mounts to displays or projectors, or in optional rack-mount. New iC-series tuners can link to the 232-Amp+ for interactive volume control, and one 12 VDC DC supply can power both units.

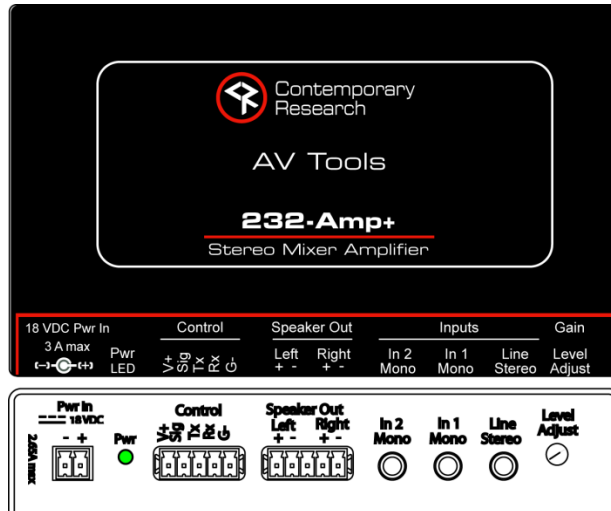
Full RS-232 control and status is available, allowing integration with custom control systems. In addition to setting master gain and input levels, the commands can also set aux input threshold, timing, and ducking levels. Installers can adjust performance manually in the field using onboard switches and level potentiometer.

- Drives stereo speakers at 16 watts RMS – 32W (16W per channel) @ 8 ohms, 40W (20W per channel) @ 4 ohms
- Mixes one stereo line input with two mono inputs, mono inputs can "duck" other inputs, with programmable ducking on/off, threshold, timing, and mute levels
- Features programmable input levels and volume (volume affects stereo input, mono inputs are fixed)
- Offers field adjustment with onboard DIP switches and level potentiometer
- Integrates via 2-way RS-232 with three options:
 - Connect to data link on new iC-Net tuners for interactive volume control
 - Control from AMX, Crestron or other custom control systems
 - Daisy-chain RS-232 control with a 232-series tuner (Amp is Device 1)
- Links DC power to CR tuner to provide single 12 VDC power source for amp and CR tuner (Amp level will be lower at 12 VDC)
- Connects speakers and control from captive screw terminals
- Mounts to top of CR tuners with optional SMA bracket, next to CR tuners in new RK-1, and RK-3 AV Tool rack kit
- Includes 4 A DC power supply (domestic only), and captive-screw control terminals
- Options:
 - SMA Surface-Mount Adapter
 - PMT-1 Pole Mount Adapter for 232- and IC-series tuners
 - DC-2 Y Adapter supplies DC power to tuner and amp @ 12 VDC

Firmware

- Version 1.5 – Improves ducking performance, Mono 1 and 2 will trigger amp on as well as Line

Specifications



Physical

Size: 5.5" [140mm] wide x 1.1" [28mm] height x 3.5" [86mm] deep
7.7" [196mm] wide with SMA bracket

Weight: 8 oz [226g]

Enclosure: All aluminum with durable black powder coat paint

Mounting: Optional SMA Brackets attach 232-Amp+ to CR tuner or surface, mount alongside CR tuner in RK-1, rack-mount in RK3 rack kit

Standards: RoHS compliant and energy-efficiency meets new California standards

Audio

Amplifier Class D, highly energy-efficient, operates with very little heat

Inputs **Stereo:** Stereo 3.5 mm jack, unbalanced, 7.5K ohms impedance, 1.4 V RMS max Programmable input level

Inputs 1 and 2: Two Mono 3.5 mm jack, unbalanced, 7.5K ohms, 1.4 V RMS max Programmable for input level and ducking gating, timing, and mute levels

Gain Potentiometer: Adjusts volume in normal mode, sets other levels in program mode

DIP switches: Located on bottom of 232-Amp+ interact with Gain for field setup

Operation: Master volume commands affects Input 1 only

Output **Speakers:** 5-pin captive-screw terminal for stereo speaker installation, 8 or 4 ohm

Watts @ 18 VDC: 32W RMS (16W per channel) @ 8 ohms
40W RMS (20W per channel) @ 4 ohms

Watts @ 12 VDC: 16W RMS (8W per channel) @ 8 ohms
30W RMS (15W per channel) @ 4 ohms

Gain: Added gain 20 dB (default), programmable to 26, 32, or 36 dB

THD + Noise: 0.25% typical

Response: +/-1 dB, 20 Hz to 20 kHz, 1 watt output

Crosstalk: >65 dB @ 1 kHz, >58 dB @ 20 kHz

Protection: Thermal and short-circuit protected, auto-recovery

Control

5-pin captive-screw terminal

RS-232: GND, TX and RX

Signal (Sig): future IR input

Power (V+): 12-18 VDC output to tuner or accessory

DIP switches on bottom of 232-Amp+ interact with Gain for field setup

Power

Power LED: Green LED flashes when DC power is active, slow flash in standby mode

Power In: 5-pin captive-screw terminal

3 A maximum @ 18 VDC, 11.5 to 19 VDC, 18 VDC typical (may be unregulated)

Includes

Two 5-pin captive screw terminals

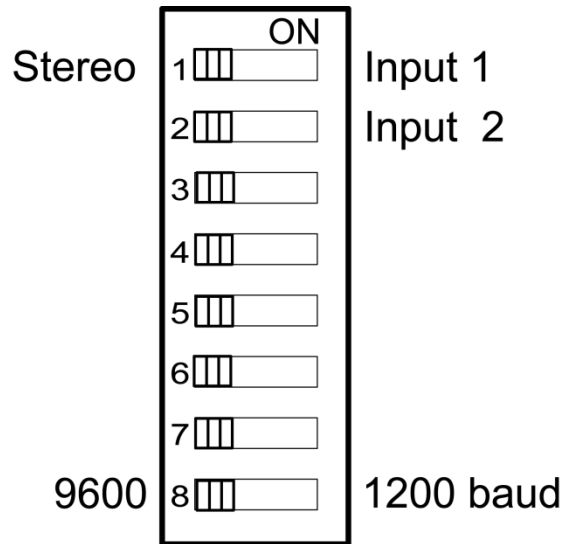
PMT-1 Pole Mount for 1RU CR tuners

SMA Surface Mount for AV Tools

RK-1 Rack Kit to mount 232-Amp+ alongside CR analog 232-series tuner

RK-3 Rack Mount Kit for mounting up to 3 AV Tools across in 19" rack, 1 RU

Field Setup



All the parameters can be programmed via RS-232, but many can be set using the DIP switch on the bottom of the case and the Gain potentiometer on the front panel

Select Input and Gain

1. Stereo input = Switches 1 and 2 OFF
2. Mono 1 = Switch 1 ON to **In 1**
3. Mono 2 = Switch 1 off , switch 2 ON to **In 2**
4. Use GAIN pot to set gain for selected input

RS-232 Baud Rate

Set switch OFF for 9600 baud or ON for 1200 baud.

Status LED

The green LED will stay lit when the unit is powered and the output is active. A slow flash on the LED indicates the amplifier is in standby mode (no audio input level, timed out to standby).

Mix/Ducking Operation

Inputs 1 and 2 can serve as mix or ducking inputs. Ducking means that, when audio on one input rises about a trigger level, it will mute the other inputs. The 232-Amp+ allows you to set several parameters for automatic ducking operation for both inputs.

- Volume – This sets the gain level for the input.
- Gate Threshold – Set the input audio level that triggers ducking .
- Gate Hold Time – Sets how long the gate will be held open before checking the Gate level.
- Ducking Level – Sets the volume level for the stereo input during ducking – the other mono input will be muted.

Input 1 always has priority – use this input for audio from a paging system.

RS-232 Control Protocol

Overview

The 232-Amp+ full duplex RS-232 enables a system programmer to control all functions as well as monitor status. All commands are sent as ASCII strings. No delays between characters or commands are required, as data is interrupt driven and buffered.

There are four status strings for the 232-Amp, three for each input channel and one for general Amp status.

One 232-Amp+ may be daisy-chained together with a CR 232-series tuner from a single RS-232 port. The 232-Amp+ is pre-set to Unit 1, and the tuner would be set to Unit 2.

Communications parameters (Front Panel Mode 1) are 300 to 19200 baud, 8 data bits, No parity, and 1 stop bit. Factory default is 9600 baud, Unit#1.

All settings are saved to NVRAM in the 232-Amp.

The tuner will accept non-standard RS-232 control such as voltage that swings from 0 to +5 VDC, commonly found when IR ports are used to send RS-232 commands.

General protocol specifications

Characters in command strings to the 232-Amp+ are common ASCII keyboard characters.

Command strings sent to the 232-Amp+ begin with the ASCII > (greater than symbol) as an 'Attention' character and end with carriage return - ASCII CR, Hex \$0D, or keyboard Enter - as an 'End-of-command' character.

Responses from the 232-Amp+ begin with the ASCII < (less than symbol) as an 'Attention' character and end with a carriage return followed by line feed an ASCII LF or Hex \$0A as 'End-of-command' characters.

A carriage return is required at the end of each command and is assumed in all examples.

Command String Structure

[Attention] (Unit#) [Command] (Parameters) [Return]

Attention	Single character (>) starts the string
Unit#	The Unit# is expressed as an ASCII 0-9 when used in multiple tuner applications. To address all units, use a Unit # of 0 (Zero) No unit number will default to Unit#1
Command	A two-character command
Parameters	Added attributes to some commands
Return	A carriage return ends the command string, you may use ASCII CR, Hex \$0D, or keyboard 'Enter' in programming. For simplicity, the programming examples in the manual will not show the 'CR' - so remember, you'll need to add it in your control code.

Command and Status Response

Commands can be sent back to back at any time without any delay. To allow for rapid, multiple commands, status responses are intentionally delayed by about 125mS, sending the most current status in response to control commands or user actions.

RS-232 Commands

Control Commands

Code	Function	Operation
	Level	You can skip leading zeros on values – so 5 can be 5, 05 or 005
VL=	Stereo input volume	0 (mute) to 63 (full)
VM	Stereo input mute on	Mutes input
VX	Stereo input mute off	Restores volume to previous level
VU	Ramp volume up	Starts volume ramping up
VD	Ramp volume down	Starts volume ramping down
VV	Stop volume ramp	Stops volume ramping
VT	Toggle Volume Mute	Alternates audio mute on and off
VG=	Amplifier Gain	Sets gain level Sent alone returns amp gain status 0=20 dB (default) 1=26 dB 2=32 dB 3=36 dB
Inputs	Parameter "Bump"	Send input parameter with 255 will bump value to next step Send parameter with 254 will bump value down one step
V0=	Stereo Input	Stated with <parameter>,<value> V0 alone will return status for Stereo (xx)=Default setting 1=Volume level 1-63 (40) 2=Max gain level 0-63 (Fixed at 63), variable in future 3=Min gain level 0-63 Fixed at 0, variable in future 4=Power On Threshold 0-63 (4) 5=Power On Hold delay 0-99 seconds (99) 00=Always On Ex: '>V0=1,30'
V1=	Mono 1	Stated with <parameter>,<value> V1 alone will return status for Input 1 Input 1 always has priority for ducking (xx)=Default setting 1=Volume level 0-63 (40) 2=Max gain level 0-63 (Fixed at 63), variable in future 3=Min gain level 0-63 (Fixed at 0), variable in future 4=Gating threshold level 1-63 (10) 5=Gating hold time 0-50 in 0.1 seconds (15) 00=Ducking off, acts as mixed input 6=Ducking level for the stereo input 0-63 (10) Example: '>V1=1,20 V1=4,03 V1=5,10 V1=6,05'
V2=	Mono 2	Stated with <parameter>,<value> V2 alone will return status for Input 2 (xx)=Default setting 1=Volume level 0-63 (40) 2=Max gain level 0-63 (Fixed at 63), variable in future 3=Min gain level 0-63 (Fixed at 0), variable in future 4=Gating threshold level 1-63 (10) 5=Gating hold time 0-50 in 0.1 seconds (15) 00=Ducking off, acts as mixed input 6=Ducking level for the stereo input 0-63 (10)
SV	Amp Status	Returns Amp/Stereo status string

RS-232 Commands

Terminal Communication Commands

EF	Echo Off	Characters received will not be re-transmitted (power up default).
EN	Echo On	Characters received will be re-transmitted. Example: '>EN' Characters received will be re-transmitted.
ID	Product ID	Returns the product model number and software version.
Z!	Zap	Reconfigures unit for all factory default settings: Unit #1 VG: 0 V0: 40,63,0,4,99,0 V1: 40,63,0,10,15,10 V2: 40,63,0,10,15,10

RS-232 Command Hints and Tips

You can control a 232-Amp+ and a 232-series tuner from a single RS-232 port by daisy-chaining RS-232 between the Amp and Tuner. Set the Tuner to ID 2, the Amp will always be unit 1.

Example: '>1VM2P0' Sets the 232-Amp+ to mute, and the tuner to Off.

The carriage return line feed at the end of each 232-Amp+ response allows for easy monitoring of responses with an ASCII terminal program. You may use ASCII CR, Hex \$0D, or keyboard 'Enter' in programming.

You don't have to use the '=' character between the command and parameter – the string works either way.

Gating and Volume

If you want the 232-Amp+ to act as a straight mixer, set Mono 1 and Mono 2 Gate Threshold (4) and Gate Hold (5) to zero (00). Note that both need to be turned off, the 232-Amp+ works best as either a fully gated smart mixer or as a standard mixer, not both.

Usually, gating works well at the default settings, but feel free to adjust the Gate Threshold (4) and Gate Hold (5) to work best with your application.

Try testing the system with the 232-Amp+ set higher than the default 20 dB gain (VG command). There are slight changes in gating performance at the highest levels, but usually 26 dB offers a good blend of volume and performance.

Cloning Amplifiers

If you are installing a number of units in the same facility, you can clone your settings using HyperTerminal, Tera Term, or other Terminal app. Most allow you to send a text file instead of typing all the settings. Type in the series of commands in Notepad or other text editor such as:

```
>VG=1  
>VL=60  
>V0=5,00  
>V1=1,60  
>V21,60 (if you want to skip the '=' sign)
```

Once you've refined all the settings, just sent the file to the other 232-AMPs in the site. After that, the installer can use a screwdriver and the DIP switches to tweak volume levels for the room.

Response Strings

Typical: [Attention] [Unit#] [data ...data] [cr] [lf]

232-Amp+ status response strings contain ASCII characters similar to those used for the same functions in command strings. An ASCII 'carriage return' and 'line feed' follow each response string. Functions shown as N/A are not applicable; characters will appear in status strings as lower-case x.

Input 0 (Stereo) Status Response String (V0):

Start	Unit	CMD		Volume	Max	Min	On	Hold	Power	
	1			0-63 2 digits	0-63 2 digits	0-63 2 digits	0-63 2 digits	0-99 2 digits	Preset 2 digits	
<	1	V0	XXX	63	63	00	03	20	20	XXXXXX

Input 1 Status Response String (V1):

Start	Unit	CMD		Volume	Max	Min	Gate	Hold	Duck	
	1			0-63 2 digits	0-63 2 digits	0-63 2 digits	0-63 2 digits	0-50 2 digits	0-63 2 digits	
<	1	V1	XXX	63	63	00	10	15	03	XXXXXX

Input 2 Status Response String (V2):

Start	Unit	CMD		Volume	Max	Min	Gate	Hold	Duck	
	1			0-63 2 digits	0-63 2 digits	0-63 2 digits	0-63 2 digits	0-50 2 digits	0-63 2 digits	
<	1	V2	XXX	63	63	00	10	15	03	XXXXXX

Amp Status Response String (SV):

Start	Unit	CMD	Power	Volume	Mute	Stereo
	1		U=On M=Off	0-63 2 digits	U=Off M=On	
<	1	V	M	63	U	S

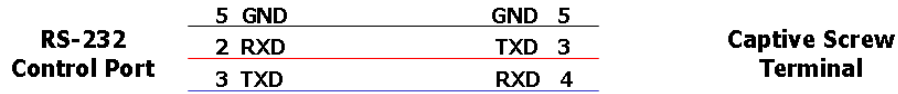
Amp Gain Response String (VG):

Start	Unit	CMD	Gain	
	1		0-3 1 digit	
<	1	VG	1	XXXX

RS-232 Cable Connections

Single 232-Amp+

RS-232 Wiring – Amp



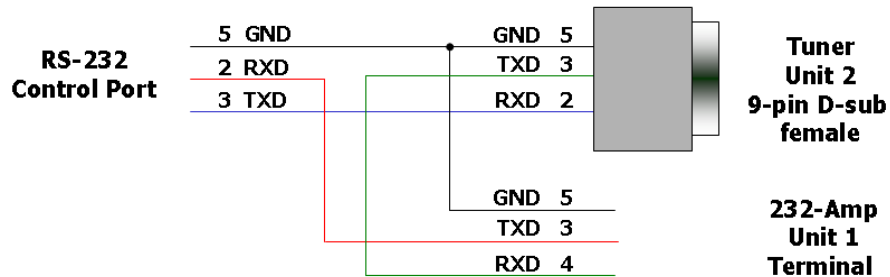
RS-232 wiring for control or programming should only use pins 2, 3, 5. Cables with all pins wired can lock out front-panel programming and data communication (Pins 4 and 9 are inputs).

Tuner/232-Amp+ Daisy-Chain

One 232-Amp+ and 232-series tuner can be controlled from one RS-232 control port. The 232-Amp+ will be Unit 1, and the 232-series tuner will be set to Unit 2.

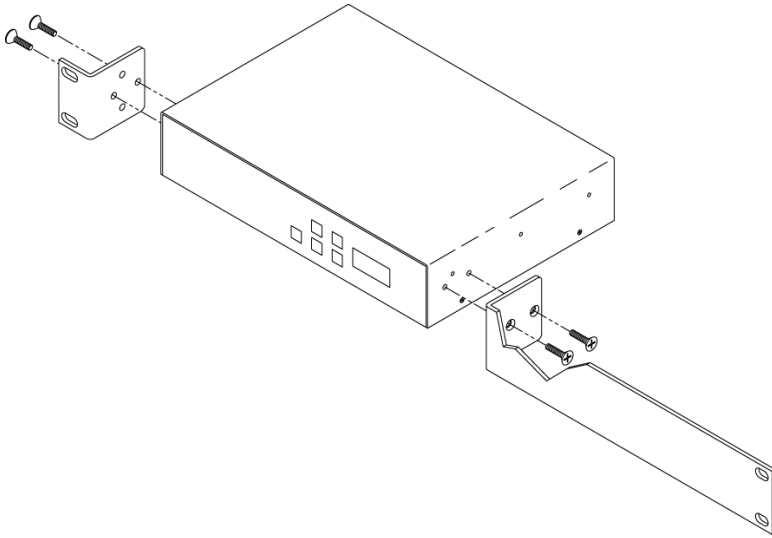
The flow of information will start at the tuner, which will respond to Unit 2 commands, passing on Unit 1 commands to the 232-Amp.

RS-232 Wiring – Amp and Tuner



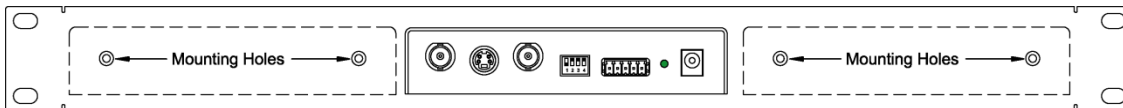
Rack Mounting

Two options are available for rack-mounting the 232-Amp.



RK1 and RK1-HD Single Unit Rack Mount

1. Install tuner on one side
2. Drill out the two detents, 4.25" apart, on the long bracket, used for mounting AV Tools
3. Mount the 232-Amp+ using the included two 4-40 1/4" screws.



RK3 AV Tool Rack Kit

Install 232-Amp+ into the center of the RK3 rack mount using included 4-40 1/4" screws.

Safety Instructions

Read before operating equipment.

1. **Cleaning** - Unplug this product from the wall outlet before cleaning. Do not use liquid cleaners or aerosol cleaners. Use a damp cloth for cleaning.
2. **Power Sources** - Use supplied or equivalent UL/CSA approved low voltage DC plug-in transformer.
3. **Outdoor Antenna Grounding** - If you connect an outside antenna or cable system to the product, be sure the antenna or cable system is grounded so as to provide some protection against voltage surges and built-up static charges. Section 810 of the National Electrical Code, ANSI/NFPA No. 70, provides information with respect to proper grounding of the mast and supporting structure, grounding of the lead-in wire to an antenna discharge unit, size of grounding conductors, location of antenna discharge unit, connection to grounding electrodes, and requirements for the grounding electrode.
4. **Lightning** - Avoid installation or reconfiguration of wiring during lightning activity.
5. **Power Lines** - Do not locate an outside antenna system near overhead power lines or other electric light or power circuits or where it can fall into such power lines or circuits. When installing an outside antenna system, refrain from touching such power lines or circuits, as contact with them might be fatal.
6. **Overloading** - Do not overload wall outlets and extension cords as this can result in a risk of fire or electric shock.
7. **Object and Liquid Entry** - Never push objects of any kind into this product through openings as they may touch dangerous voltage points or short out parts, resulting in a fire or electric shock. Never spill liquid of any kind on the product.
8. **Servicing** - Do not attempt to service this product yourself as opening or removing covers may expose you to dangerous voltage or other hazards. Refer all servicing to qualified service personnel.
9. **Damage Requiring Service** - Unplug this product from the wall outlet and refer servicing to qualified service personnel under the following conditions:
 - When the power supply cord or plug is damaged.
 - If liquid spills or objects fall into the product.
 - If the product is exposed to rain or water.
 - If the product does not operate normally by following the operating instructions. Adjust only those controls that are covered by the operating instructions. An improper adjustment of other controls may result in damage and will often require extensive work by a qualified technician to restore the product to its normal operation.
 - If the video product is dropped or the cabinet is damaged.
 - When the video product exhibits a distinct change in performance, this indicates a need for service.

Limited Warranty and Disclaimer

Contemporary Research Corporation (CR) warrants this product to be free from defects in material and workmanship under normal use for a period of two years from the date of purchase from CR. Should such a defect occur CR will repair or replace, at their option, the defective product at no cost for parts or labor.

This warranty extends to product purchased directly from CR or an Authorized CR Dealer. Consumers should inquire from selling dealer as to the nature and extent of the dealer's warranty, if any.

All warranty claims must be shipped pre-paid to the factory. Call or fax to obtain a Return Material Authorization (RMA) number.

CR is not liable for any damages caused by any of its products or for the failure of any products to perform, including any lost profits, lost savings, incidental damages, or consequential damages. CR is not responsible for any claim made by a third party or made for you by a third party. This limitation of liability applies whether damages are sought, or a claim is made, under this warranty or as a tort claim (including negligence and strict product liability), a contract claim, or any other claim. This limitation of liability cannot be waived or amended by any person. This limitation of liability will be effective even if CR or an authorized representative of CR has been advised of the possibility of any such damages.

Some states do not allow a limitation of how long an implied warranty lasts. Some states do not allow the limitation or exclusion of incidental or consequential damages for consumer products. In such states, the limitation or exclusion of the Limited Warranty may not apply to you. This Limited Warranty gives you specific legal rights. You may also have other rights that may vary from state to state. You are advised to consult applicable state laws for a full determination of your rights.

Except as expressly set forth in this Limited Warranty, CR makes no other warranties, expressed or implied, including any implied warranties of merchantability or fitness for a particular purpose. CR expressly disclaims all warranties not stated in this Limited Warranty. Any implied warranties that may be imposed by law are limited to the terms of this Limited Warranty.