



RDL[®]
Radio Design Labs

SPECIALISTS IN PRACTICAL PRECISION ENGINEERING™

ACCESSORIES

Models **D-RGB1** and **DS-RGB1** Component Video RGB Connection Plate

- Component Video Input or Output Panel
- RGB video Input on RCA Jacks
- Video Output on Detachable Terminal Block
- Available in RDL White/Gray (D-RGB1)
- Available in RDL Stainless Steel (DS-RGB1)



The D-RGB1 and DS-RGB1 are Decora®-compatible video accessories from Radio Design Labs. All metal enclosures are attractively finished in white or brushed stainless steel to complement the decor encountered in commercial environments. Custom labeling is available at www.rdlnet.com.

The D/S-RGB1 is the ideal choice in installations requiring a wall-mounted component video input or output. The panel is typically installed as an input plate, but may equally be used as an output jack panel.

The front panel features three RCA jacks, intended for a component video source. The video signals are fed to a rear-panel detachable terminal block.

The D/S-RGB1 is the ideal choice to connect component video sources to a video monitor or projector in meeting rooms, classrooms and other A/V systems.

ACCESSORIES

Models D-RGB1 and DS-RGB1

Component Video RGB Connection Plate

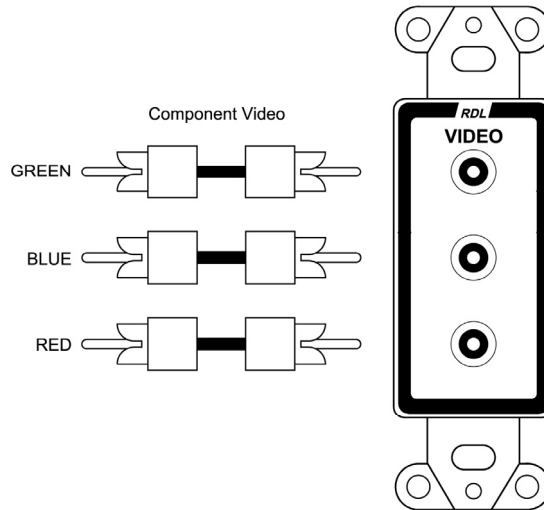
Installation/Operation



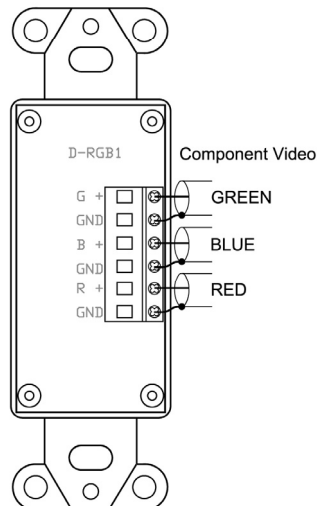
EN55103-1 E1-E5; EN55103-2 E1-E4

Typical Performance reflects product at publication time exclusive of EMC data, if any, supplied with product. Specifications are subject to change without notice.

USER CONNECTIONS



INSTALLER CONNECTIONS



TYPICAL PERFORMANCE

Component video input connectors (3):

Component video output connector:

Dimensions:

Mounting Box Minimum Dimensions:

RCA, RGB

Detachable Terminal Block

Height: 4.13 in. 10.49 cm

Width: 1.3 in. 3.3 cm

Depth: 1 in. 2.54 cm

Width: 1.80 in. 4.57 cm

Depth: 1.25 in. 3.18 cm

Radio Design Labs Technical Support Centers

U.S.A. (800) 933-1780, (928) 778-3554; Fax: (928) 778-3506

Europe [NH Amsterdam] (+31) 20-6238 983; Fax: (+31) 20-6225-287