

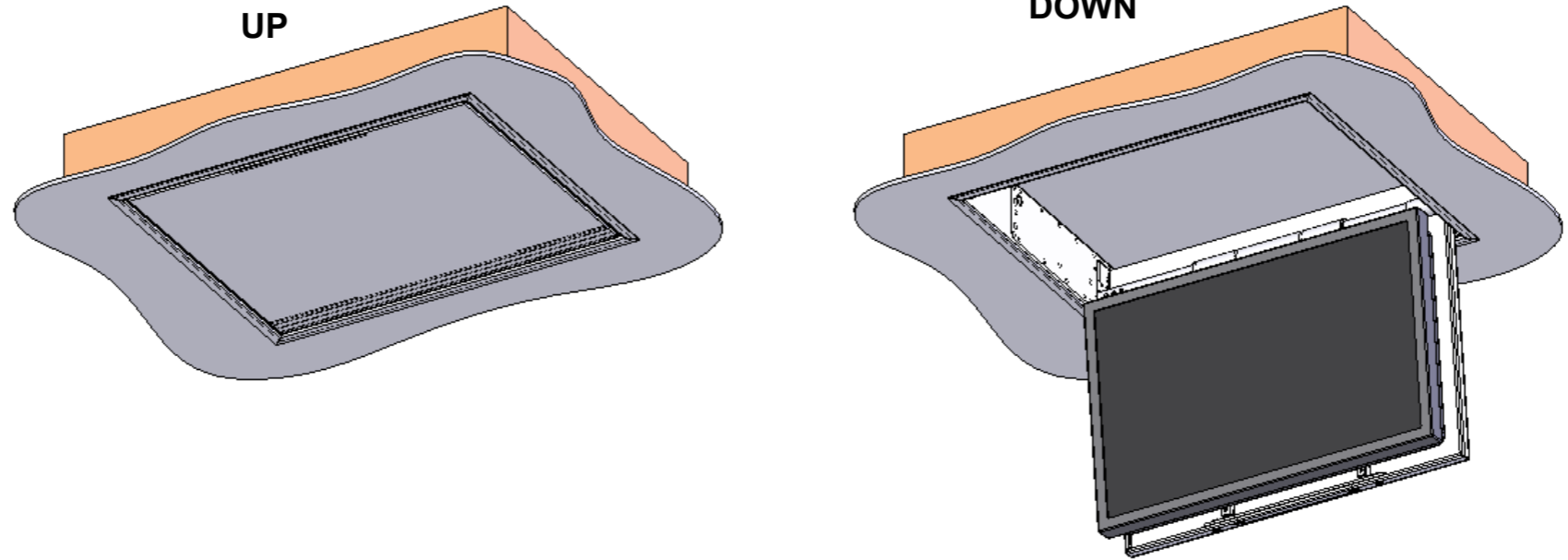


DESIGN HIGHLIGHTS

- Near silent motor system
- Modular format ensures simple installation
- Range of standard sizes
- Sized to suit options available

OPTIONS

- Telescope option with the CHT4,5 and 6
- Swivel version with the CHS3,4,5,6
- Marine suitable option with IP rated outdoor options with the M-CH3,4,5 and 6
- Any RAL colour available
- Bang & Olufsen / Loewe mount option



FUNCTION

The CH mechanism hinges a flat screen television from a ceiling through 97 degrees.

SUITABILITY

The CH4 is one of four standard sizes available at present. See CH3, 5 & 6 for smaller and larger mechanisms.

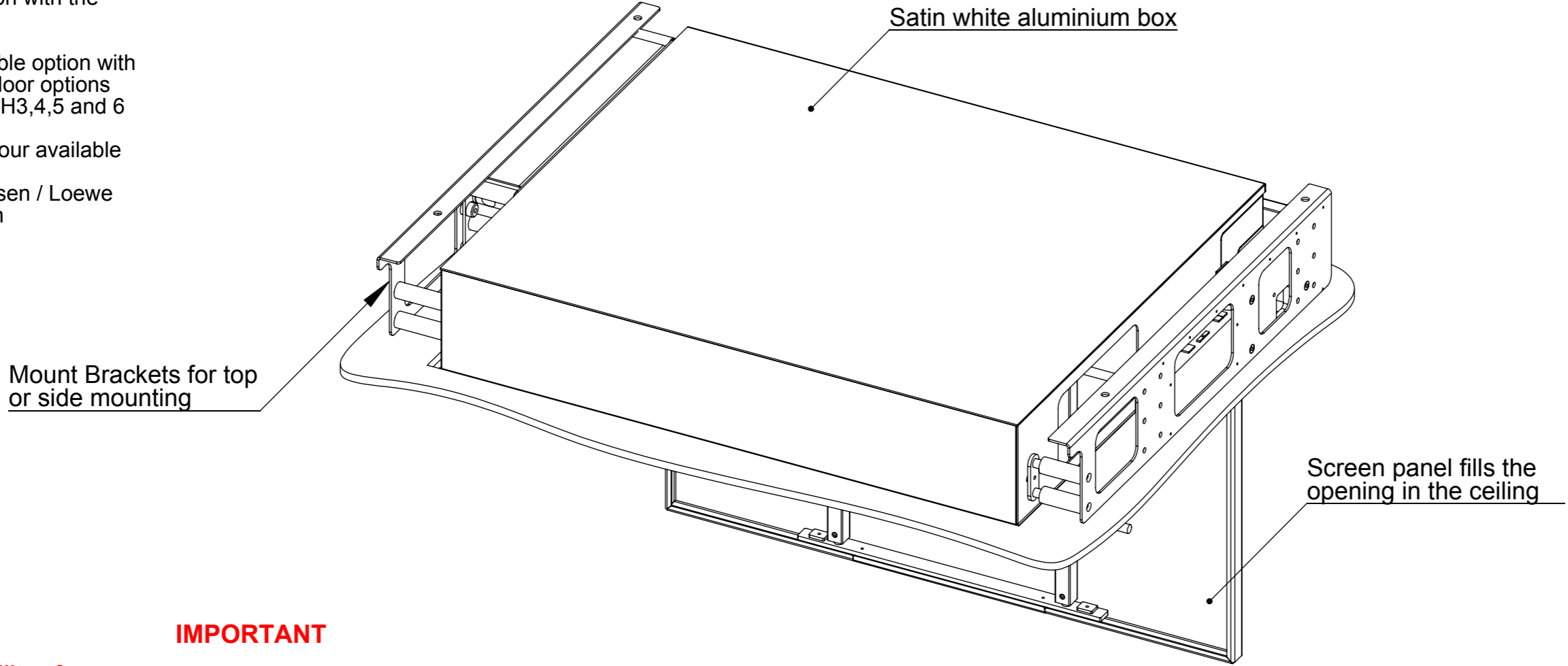
SPECIFYING

The CH4 takes a maximum screen size of 1110 [43.7"] x 720 [28.3"] x 140mm [5.5"] deep. Maximum weight of 50Kg [110lb].

Screens with standard bolt fixings on the back can be fitted. See Sheet 5.

CONTROL

Supplied with basic infrared remote. Can be learnt by many learning remote. Also has contact closure and RS232 so can be operated by switches, Crestron, AMX or Lutron systems.



WARNING

It is the responsibility of the installer to warn all potential end users of the dangers of interfering with mechanisms during operation

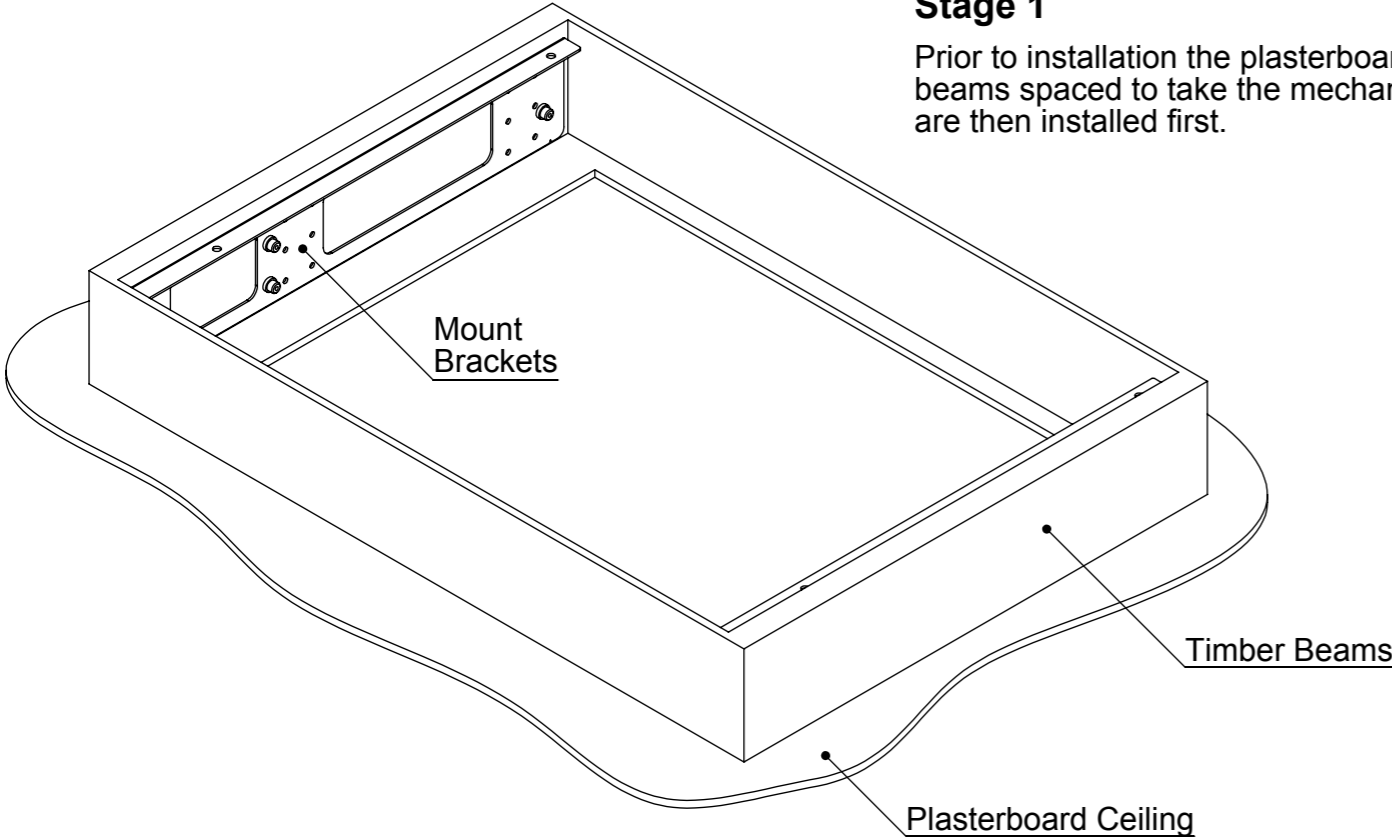
IMPORTANT

Mechanisms which lift or move weights need to be checked on a yearly basis for any damage which may result in an accident

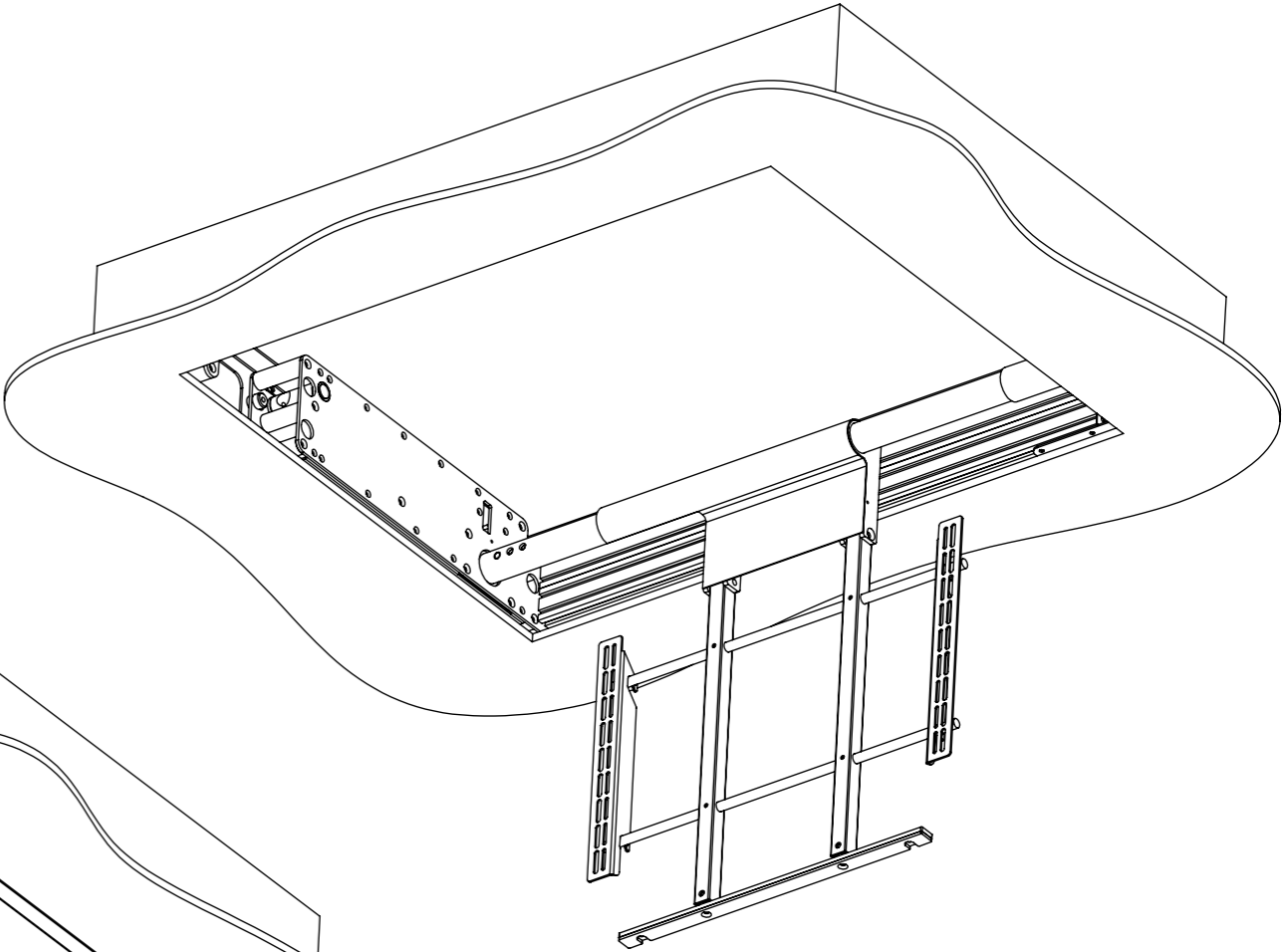
Fitting Notes

Stage 1

Prior to installation the plasterboard can be in place with wooden beams spaced to take the mechanism. These Mount Brackets are then installed first.

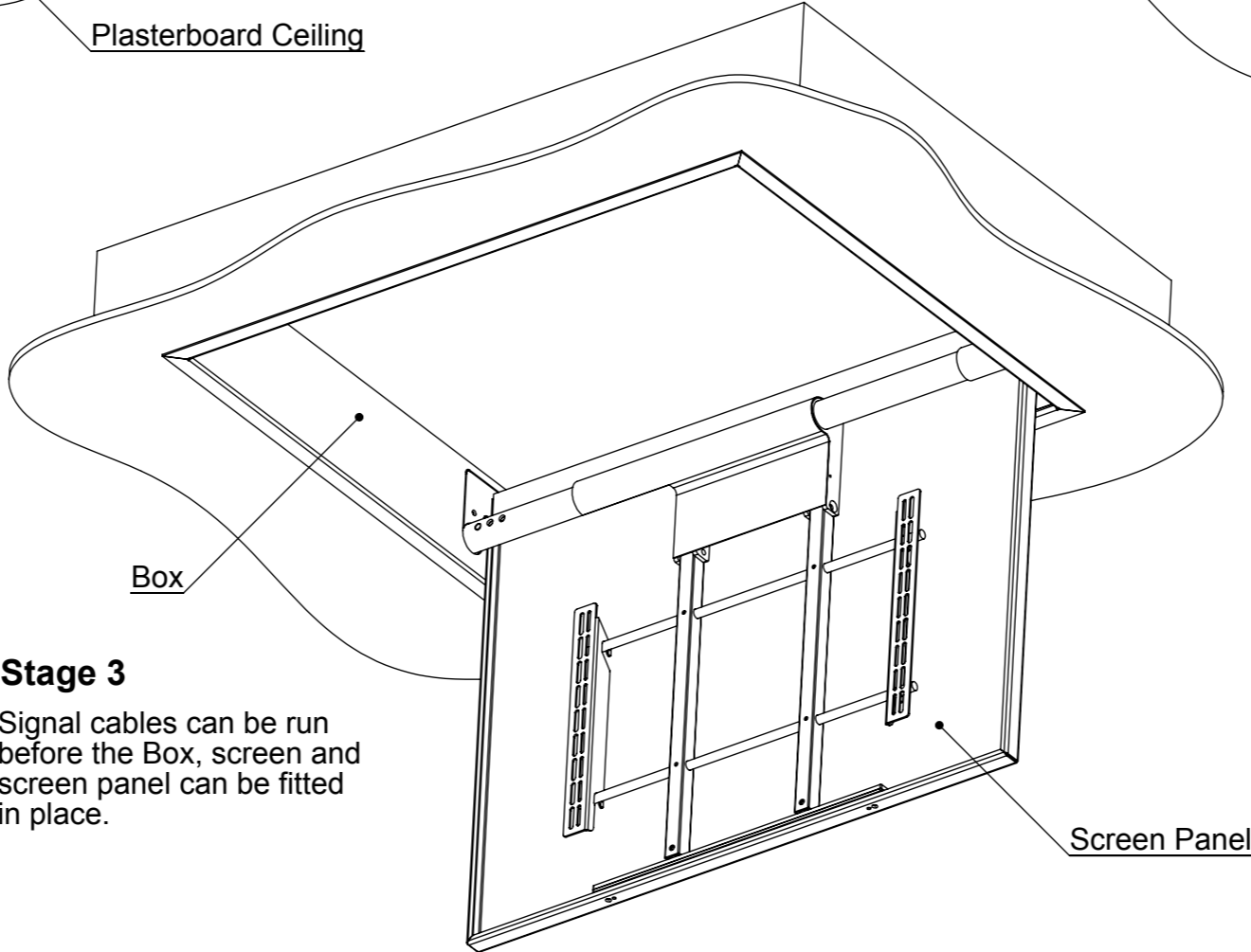


The Future Automation Ceiling Hinge has some great features to make installation as simple and quick as possible.



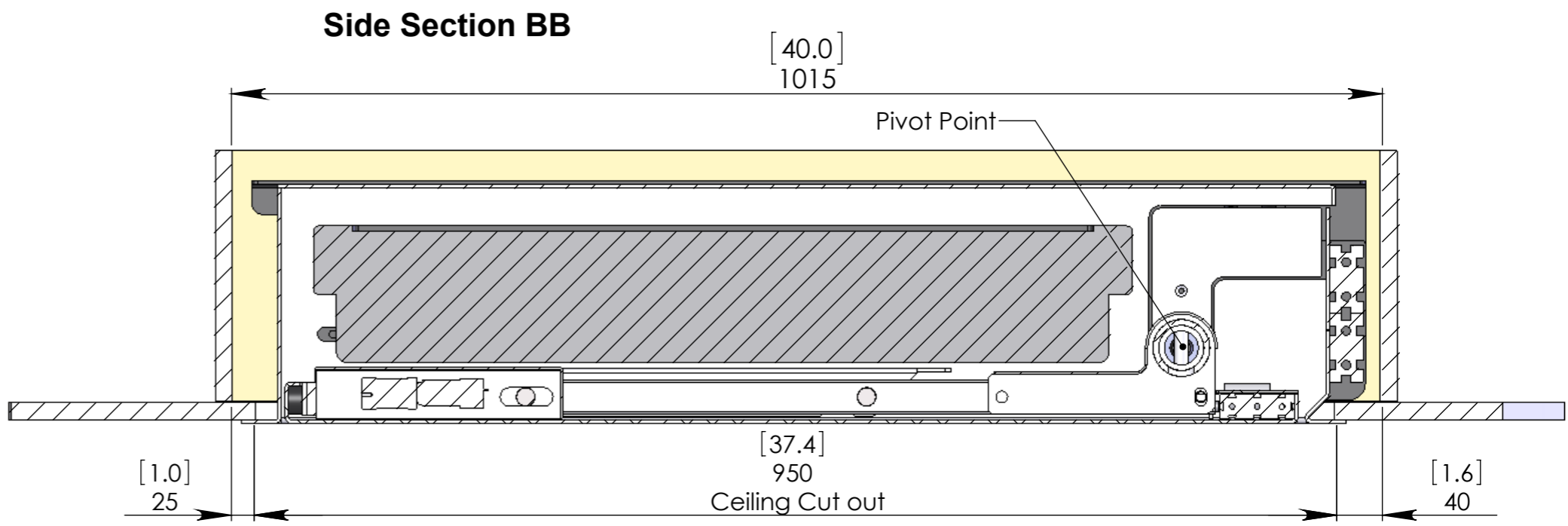
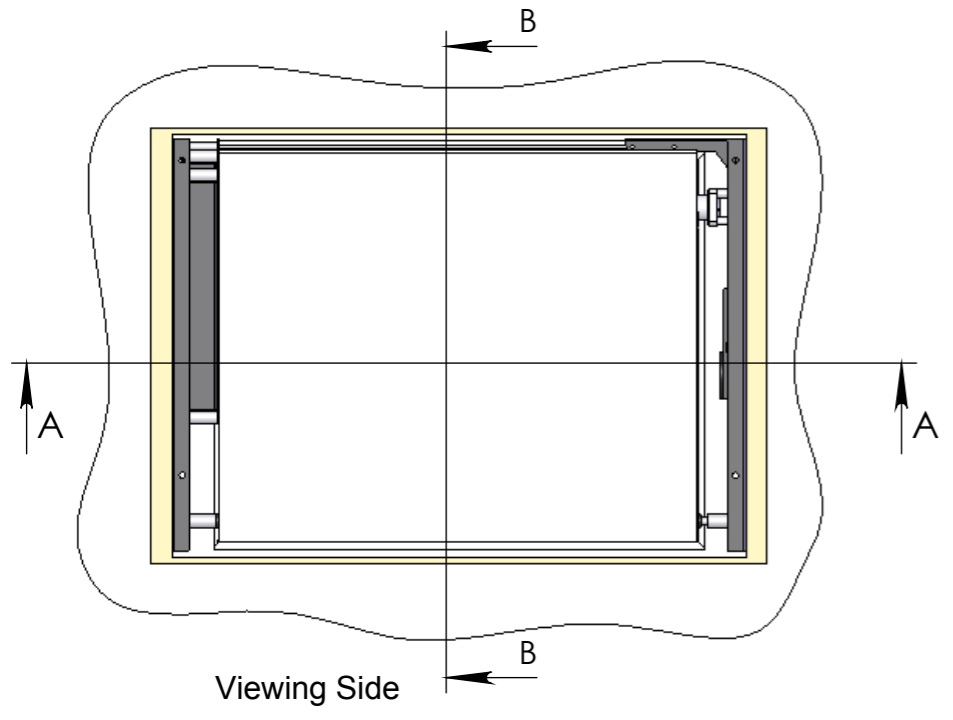
Stage 2

The mechanism motor assembly can be lifted into position by two people. The mechanism expands outwards to locate within the Mount Brackets.

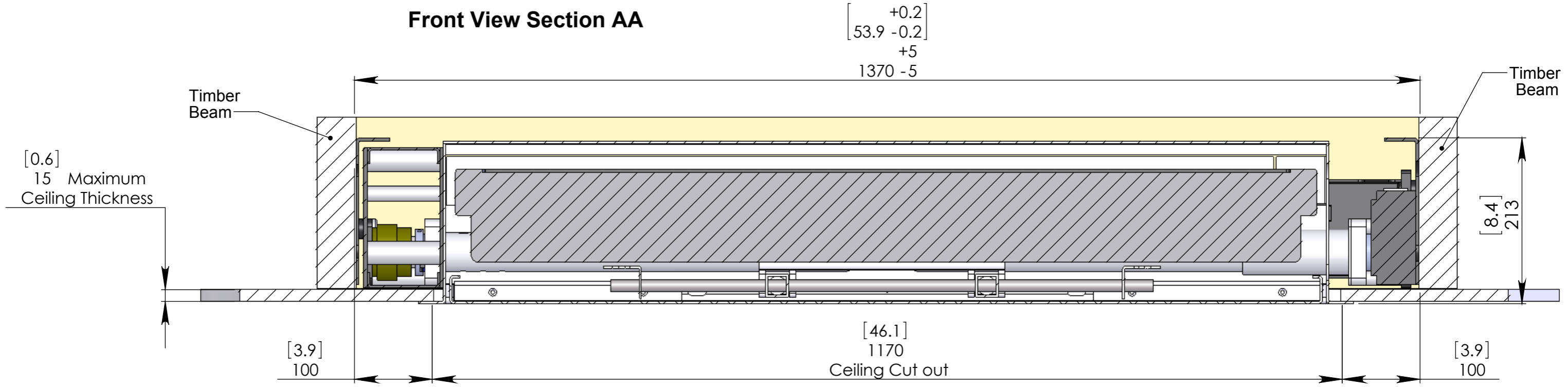


Stage 3

Signal cables can be run before the Box, screen and screen panel can be fitted in place.



Front View Section AA

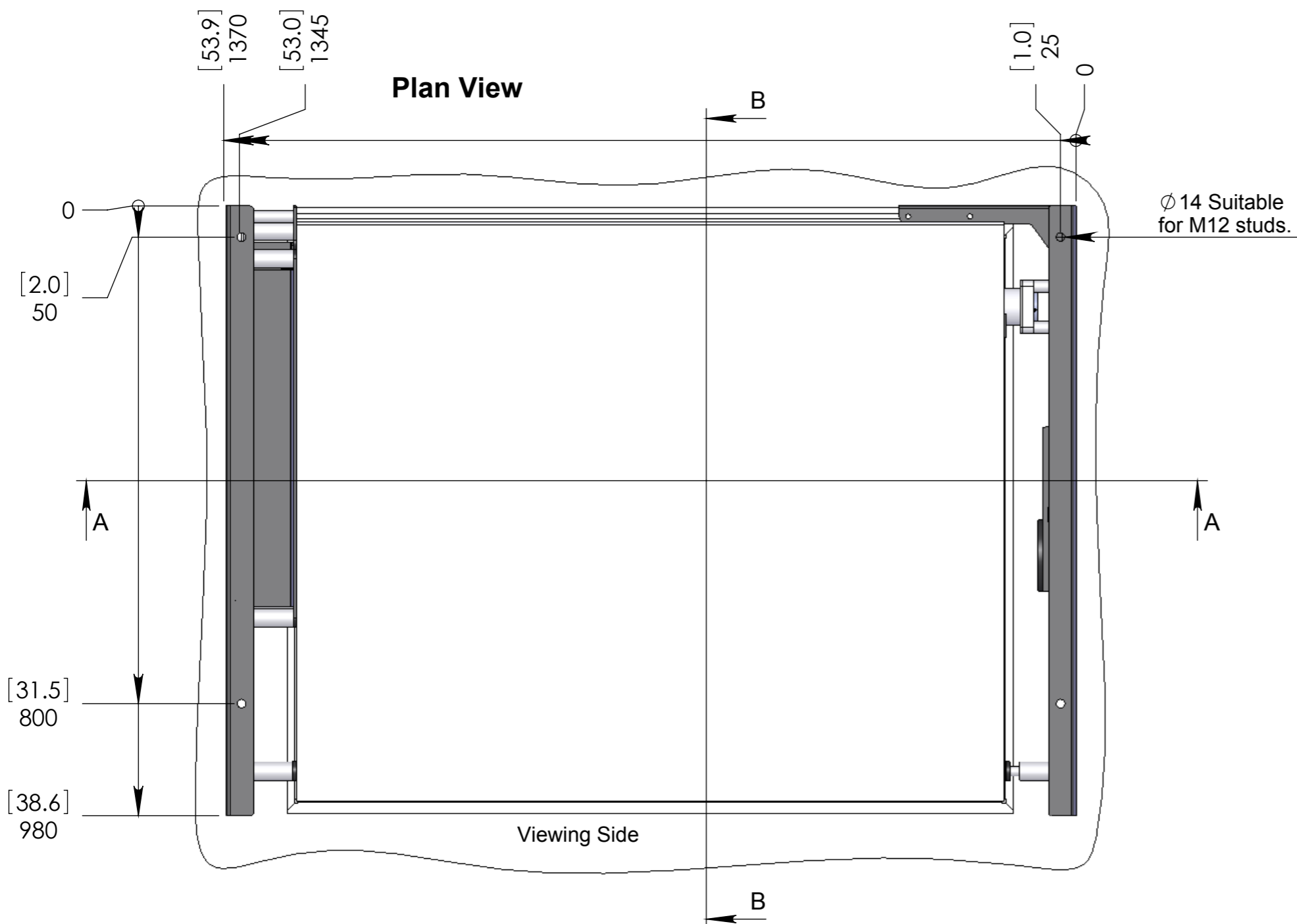


Mechanism just fixes to these timber beams at the sides

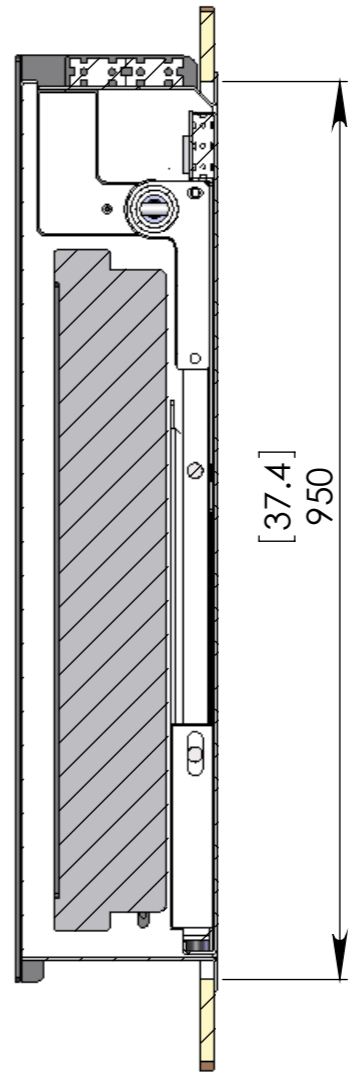
Mechanism weight is 90Kg

See CAD drawings for more dimensional information





Side Section BB



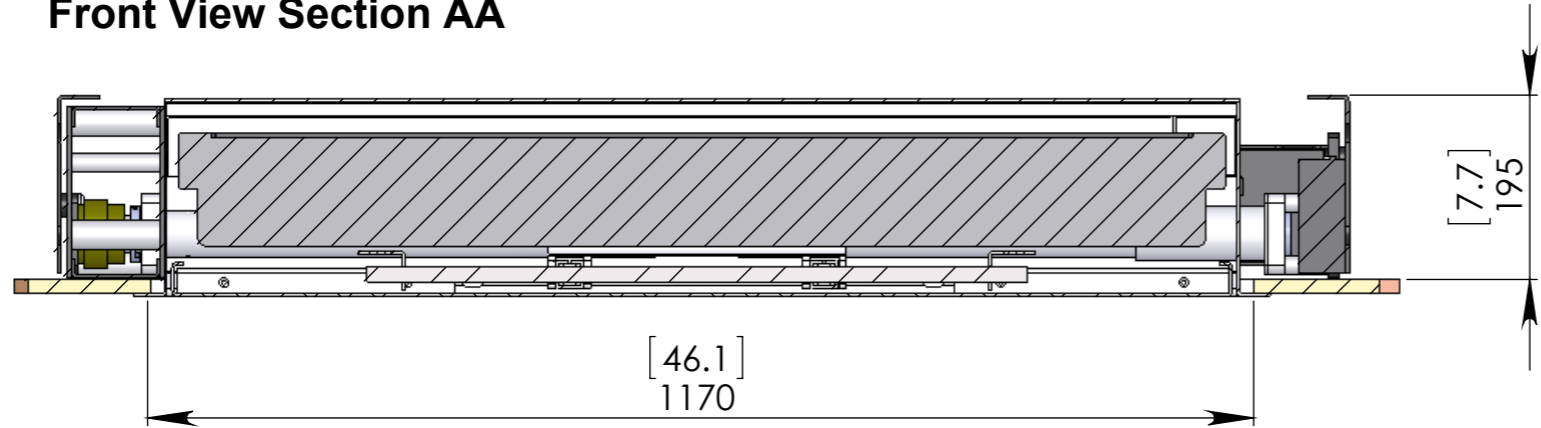
One option is to hang the mechanism from a concrete floor before the ceiling panels are finished around.

Holes are provided for four M12 studs/bolts.

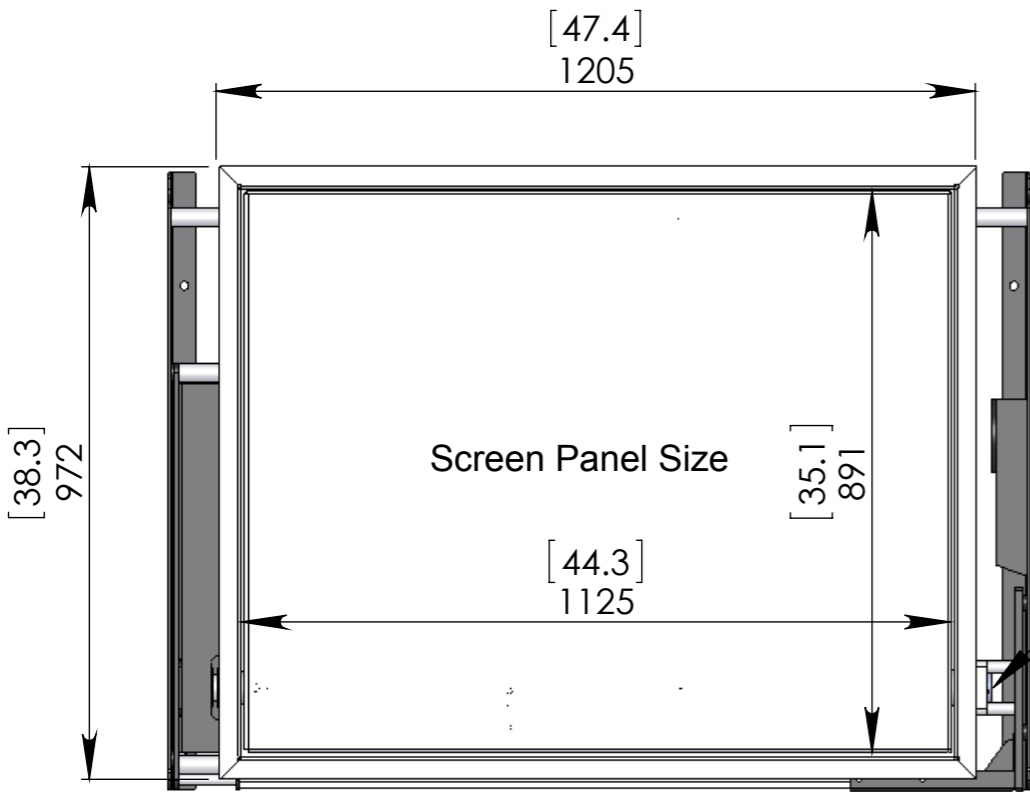
If the ceiling panels have the opening size shown then all mechanism parts will be removable and serviceable without removing the ceiling.

The screen panel would be removed first followed by the box and the whole motor unit.

Front View Section AA

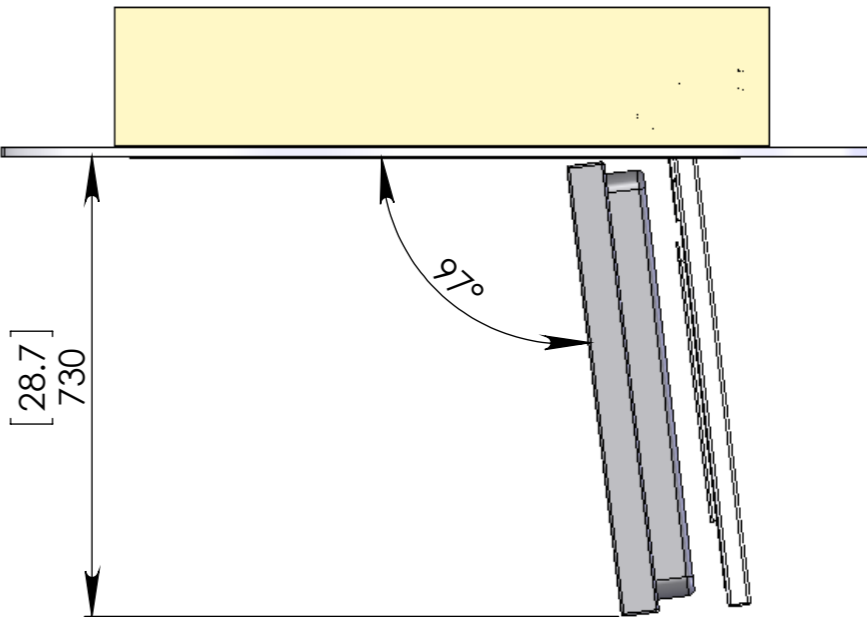


View Up Without Ceiling Panels

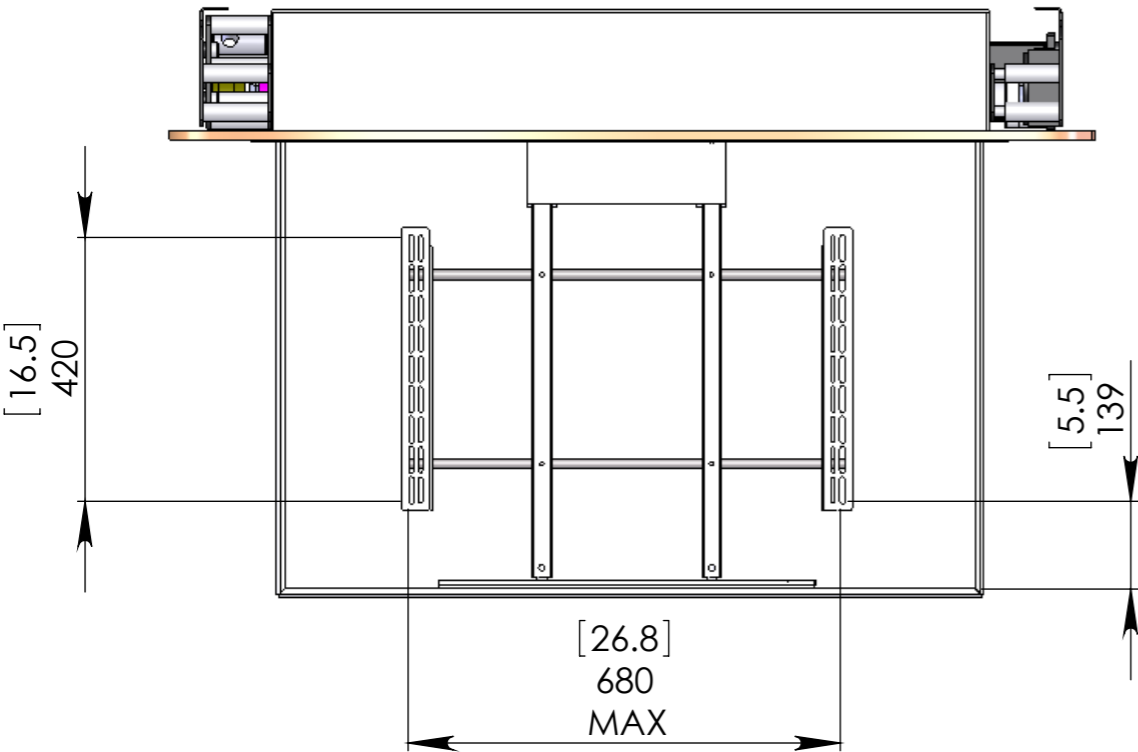


Screen signal cables exit from here on the right side of the mechanism from the pivot tube.

Side View at Max Tilt



Front View on Screen Mount



A control box 220 x 55 x 150mm [8.7 x 2.2 x 5.9"] needs to be placed in an accessible location. It is supplied on a 3 metre [9ft 11"] flying lead.

It requires a 3 amp 220-240v supply. Infrared RS232 and contact closure inputs need to be made to this box.

The slotted screen mount will accommodate any screen with a bolt pattern up to 680mm [26.8"] wide by 420mm [16.5"] high.