

STX645(P)
STX645L

SMARTMOUNT XT

Universal Tilt Wall Mount for 32" to 60" Displays

Limitless placement opportunities are delivered with speed and ease with both horizontal and vertical adjustment capability. Its slim, open wall plate architecture delivers display placement flexibility and enables hands-free behind-the-display access along with cable management. Quick and easy installation and optional IncreLok™ Tilt technology complete the ultimate secure, low profile flat panel installation.



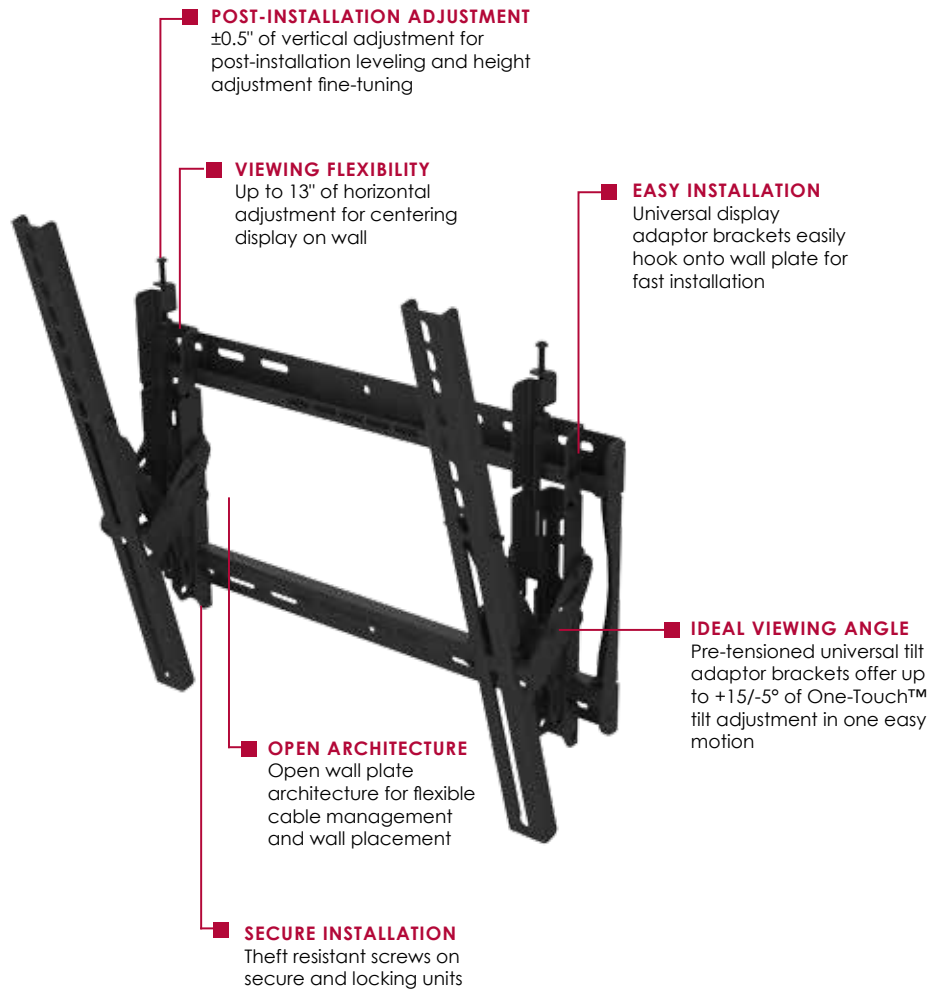
Display size: 32"-60"



Max load: 150lb (68kg)

FEATURES

- Open wall plate design allows for total wall access, increasing electrical and cable management options
- Pre-tensioned universal tilt adaptor brackets offer up to +15/-5° of One-Touch™ tilt adjustment in one easy motion
- Optional IncreLok™ feature offers fixed tilt lock in 5° increments
- Easy-Glide™ design ensures that the display is securely attached to the wall plate
- 5° of back tilt offers 3" of space for hands-free, behind the display access
- Up to 13" of horizontal adjustment for centering display on wall
- Up to 1" of vertical adjustment on each universal display adaptor bracket for post-installation leveling and height adjustment fine-tuning
- Increased security with included Master Lock 510KAD keyed-alike padlock on locking model
- Universal tilt adaptor brackets easily hook onto wall plate for fast installation
- Low profile design holds display 1.69" (43mm) from the wall
- Fits displays with mounting hole patterns from 100 x 100mm (3.94"W x 3.94"H) to 431 x 433mm (16.96"W x 17.04"H)



Patented. Design Patent No. D659.689. Utility Patent No. 8,313,073; 8,348,212; 8,282,059; 8,517,322.



INTEGRATED
PARTNER
PROGRAM

Contact your Peerless-AV sales representative for more information

CLICK: peerless-av.com

CALL: 800.865.2112

FAX: 800.359.6500

peerless-AV



STX645	SmartMountXT™ Universal Tilt Wall Mount for 32" to 60" Displays - security model
STX645L	SmartMountXT™ Universal Tilt Wall Mount for 32" to 60" Displays - security locking model
STX645P	SmartMountXT™ Universal Tilt Wall Mount for 32" to 60" Displays - standard model

Product Specifications

	DIMENSIONS (W x H x D)	PRODUCT WEIGHT	LOAD CAPACITY	FINISH	AVAILABLE COLORS
STX645(P) STX645L	19.37" x 18" x 1.69"-6.55" (492 x 457 x 43-166mm)	STX645(P): 7.13lb (3.23kg) STX645L: 7.63lb (3.45kg)	150lb (68kg)	Powder coat	Black

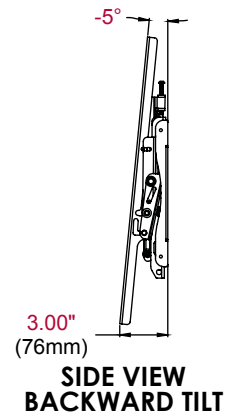
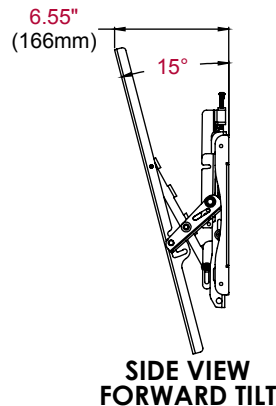
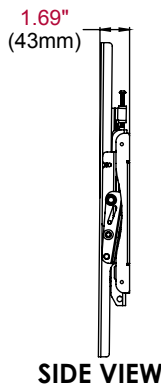
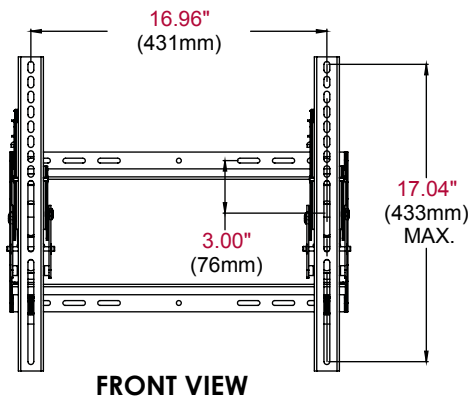
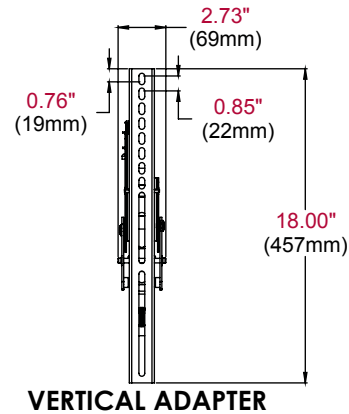
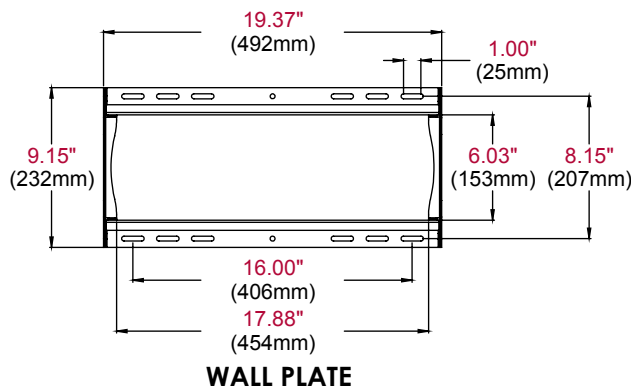
Package Specifications

	PACKAGE SIZE (W x H x D)	PACKAGE SHIP WEIGHT	PACKAGE UPC CODE	PACKAGE CONTENTS	UNITS IN PACKAGE
STX645(P) STX645L	10.125" x 3.5" x 21.125" (257 x 89 x 537mm)	STX645(P): 9.1lb (4.13kg) STX645L: 10.6lb (4.8kg)	STX645: 735029278931 STX645L: 735029278943 STX645P: 735029279372	Universal Tilt Wall Mount, attachment hardware, installation instructions	1

Accessories

ACCXT302:	SmartMountXT™ Video Conferencing Shelf accessory
ACCXT400:	In-Wall Cable and Power Management Accessory with AC Surge Suppressor

All dimensions = inch (mm)



ARCHITECTS SPECIFICATIONS

The SmartmountXT™ Universal Tilt Wall Mount shall be a Peerless-AV® model STX645, STX645L or STX645P and shall be located where indicated on the plans. It shall be constructed of heavy gauge cold rolled steel and finished with scratch resistant Black Fused Epoxy. Assembly and installation shall be done according to instructions provided by the manufacturer.

Peerless Industries, Inc. ■ 2300 White Oak Circle ■ Aurora, IL 60502 ■ (800) 865-2112 ■ (630) 375-5100 ■ Fax: (800) 359-6500 ■ peerless-av.com

Visit peerless-av.com to see the complete line of AV solutions from Peerless-AV, including flat panel mounts, projector mounts, carts/stands, furniture, cables, screen cleaners and a full assortment of accessories.