

XHB652



# 65" Xtreme™ High Bright Outdoor Display

There has never been an outdoor daylight readable display built to withstand the harsh outdoor elements like the Peerless-AV® Xtreme™ High Bright. Featuring an IP66 Rated design and a patented Dynamic Thermal Transfer™ System, Xtreme High Bright Outdoor Displays are maintenance-free, and are fully protected against water, dust, moisture and even insects. The display's cover glass is optically bonded, which increases the perceived contrast ratio and cuts down on glare, providing amazing picture quality even in direct sunlight. With an operating temperature range of -31°F to 140°F, Xtreme Displays are designed to thrive year-round outside, without worry of extreme hot or cold temperature waves. This High Bright line of commercial displays offer 2500nits of light output to combat high ambient lighting conditions, while the ambient light sensor automatically adjusts the display's brightness to optimize the power consumption and enhance the viewing experience. Providing unmatched capabilities, Xtreme High Bright Outdoor Displays are the perfect digital signage or entertainment solution for any professional application.

All Weather Rated (IP66)



Operating Temperature Range:

-31°F - 140°F  
(-35°C - 60°C)

- Optically bonded, anti-reflective cover glass increases the perceived contrast ratio and cuts down on glare, providing amazing picture quality, even in direct sunlight
- Daylight readable with LED backlight and full HD 1080p resolution for a bright, crisp picture
- Includes Quarter Wave Plate polarizer, allowing for portrait and landscape installations
- Remote and Local monitoring, supported via IP addressable user interface, for temperature, humidity, and power draw diagnostics of the display
- XHB652 includes a Peerless-AV® Outdoor Flat Wall Mount to provide a secure installation
- Waterproof Xtreme™ Outdoor Soundbar delivers highest quality sound (optional accessory)

#### AMBIENT LIGHT SENSOR

Automatically adjusts brightness to best match the lighting conditions, which optimizes the display's power consumption and enhances the viewing experience (optional ALS extender accessory available)

#### HIGH BRIGHT OUTPUT

Offers 2500nits of light output to combat high ambient lighting conditions



#### FULLY-SEALED DESIGN

IP66 rating prevents the ingress of foreign materials, such as water, dust, moisture and insects, from entering the display

#### IK10 RATED, IMPACT RESISTANT, TEMPERED COVER GLASS

Protects the screen against vandalism and debris



#### PATENTED DYNAMIC THERMAL TRANSFER™ SYSTEM

Keeps internal components properly cooled in extreme heat



**XHB652 65" Xtreme™ High Bright Outdoor Display**

**LCD Display**

SCREEN SIZE	65" Class (65.5" Diagonal)
ACTIVE SCREEN AREA	56.24" x 32.50" (1428.49 x 825.5mm)
PIXEL PITCH	.74 x .74mm
ASPECT RATIO	16:9
RESOLUTION	1920 x 1080
COLOR DEPTH	10Bit (1.07 Billion Colors)
BRIGHTNESS	2,500cd/m <sup>2</sup>
COLOR GAMUT	72% NTSC
BACKLIGHT ADJUSTMENT	Automatic (Ambient Light Sensor)
CONTRAST RATIO	4000:1
VIEWING ANGLE	178° Vertical/Horizontal
DISPLAY ORIENTATION	Portrait/Landscape
RESPONSE TIME	8ms (Gray to Gray)
REFRESH RATE	120Hz
OPERATING TIME	24/7

**Environmental**

OPERATING TEMPERATURE	-31°F - 140°F (-35°C - 60°C)
IP RATING	IP66
REGULATORY	FCC Class A, cULus, CE

**TV Controller Features**

ANALOG TV	NTSC
DIGITAL TV	ATSC, MPEG4, QAM256, H.264
PICTURE ADJUSTMENT	Brightness, Contrast, Tint, Sharpness, Color
PICTURE MODE	Standard, Dynamic, Personal, Theater
COLOR TEMPERATURE ADJUSTMENT	Cool, Normal, Warm, Personal
SCREEN ADJUSTMENT	4:3, 16:9, Full, Zoom, Point to Point
CLOCK, SLEEP TIMER	Yes
V-CHIP	Yes

**Mechanical**

SIZE (W x H x D)	58.68" x 34.08" x 5.14" (1491 x 866 x 131mm)
COLOR	Black
GLASS	IK10 Rated, Tempered & Anti-reflective
VESA® PATTERN	600 x 400mm
NET WEIGHT	154lb (69.85kg)
INPUT COMPARTMENT (W X H X D)	12.06" x 5.00" x 2.21" (306 x 127 x 56mm)

**Power**

AC INPUT	100 VAC to 240 VAC, 50 to 60 Hz
POWER CONSUMPTION	Typical: 297.5W Maximum: 335.2W
STAND BY POWER	< .5W

**Input/Output Connections**

TV INPUT	Coax, 75 ohm (x1)
VGA INPUT	15 pin D-SUB (x1)
HDMI INPUT	HDMI (x3), 480i, 480p, 720p, 1080i, 1080p
CVBS INPUT	3.5mm (x1)
YPBPR INPUT	3.5mm (x1)
VGA STEREO AUDIO INPUT	3.5mm (x1)
DISPLAYPORT	DP (x1)
ANALOG AUDIO OUTPUT	3.5mm Headphone Jack (x1)
DIGITAL AUDIO OUTPUT	Optical (x1)
USB DATA INPUT	USB 2.0 A (x1) [Audio, Video, Text & Photo]
RS232	3.5mm TRS Jack (x1)
12VDC 2.5A OUTPUT	2.5mm (x1)
USB POWER 5VDC 2.4A OUTPUT	USB 2.0 A (x1)
IR EXTENDER INPUT	3.5mm (x1)
IR OUTPUT (REPEATER)	3.5mm (x1)
AMBIENT LIGHT SENSOR EXTENDER	3.5mm (x1)
LAN INPUT	RJ-45 (x1)

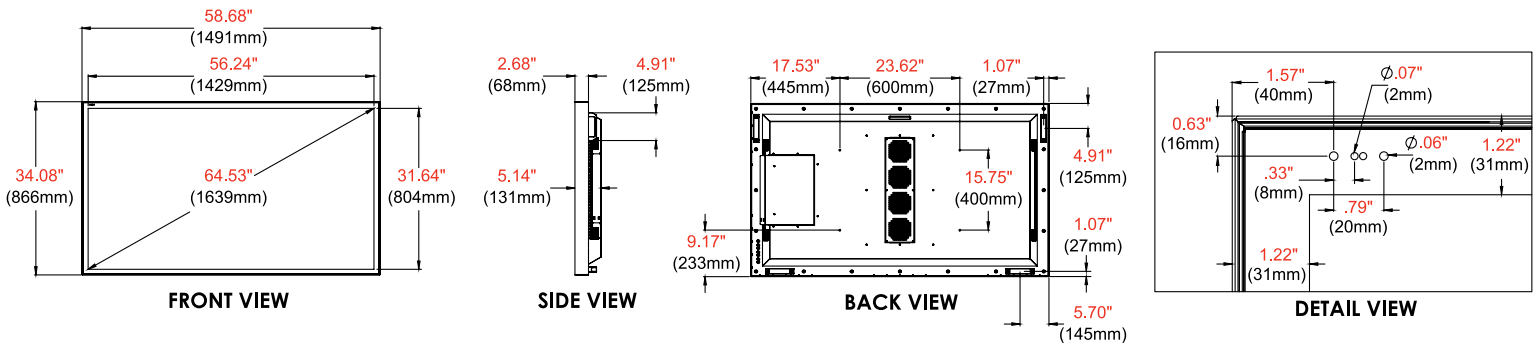
**Package Specifications**

	PACKAGE SIZE (W x H x D)	PACKAGE SHIP WEIGHT	PACKAGE UPC CODE	PACKAGE CONTENTS	UNITS IN PACKAGE
XHB652 (With Mount on Skid)	TBD	TBD	735029322603	Display, Waterproof Universal Remote Control, User's Guide, 3mm Hex Wrench, Power Cord, IR Extender and Outdoor Flat Wall Mount	1

**Accessories**

ACCD-05K: 5 Volt Accessory Kit	ACCD-ALG: Analog Accessory Kit	SPK-080: Xtreme™ Outdoor Soundbar
ACCD-12K: 12 Volt Accessory Kit	ACCD-ALS: Ambient Light Sensor Extender	

All dimensions = inch (mm)



**Architect Specifications**

The Xtreme™ High Bright Outdoor Display shall be a Peerless-AV model XHB652 and shall be located where indicated on the plans. Assembly and installation shall be done according to instructions provided by the manufacturer.

Visit [peerless-av.com](http://peerless-av.com) to see the complete line of AV solutions from Peerless-AV, including outdoor displays, kiosks, digital audio, display mounts, projector mounts, carts/stands, and a full assortment of accessories.

**Peerless-AV**  
2300 White Oak Circle  
Aurora, IL 60502 USA  
**(800) 865-2112**  
**(630) 375-5100**  
**Fax: (800) 359-6500**

**Peerless-AV EMEA**  
Unit 3 Watford Interchange  
Colonial Way, Watford  
Herts, WD24 4WP  
United Kingdom  
**+44 (0) 1923 200100**  
**Fax: +44 (0) 1923 200101**

**Peerless-AV Latin America**  
Av. de las Industrias 413  
Parque Industrial Escobedo  
General Escobedo, N.L.,  
México, 66062  
**+52 (81) 8384-8300**  
**Fax: +52 (81) 8384-8360**

