

PTS510I(-S)(-W)

Kiosk Floor Stand

For iPad® Tablets

The light weight and durable Kiosk Floor Stand for iPad® Tablets from Peerless-AV® is the ideal signage solution for permanent or temporary exhibits. The convenient pull pin device on the back of the stand, quickly and easily allows the user to rotate the screen to match the orientation of the content. Internal cable management allows the cables to exit the rear of the stand or continue through the base for a clean appearance. Clearance holes in the base allow the user to secure the stand to the floor or leave free standing for quick repositioning.



FEATURES

- Optimized for tablets such as the iPad2, iPad3, or iPad with Retina display
- Quickly rotates from landscape to portrait with the release of the spring pin
- Internal cable management creates an aesthetically pleasing appearance
- Cable management options include routing through the base or through the rear bottom of the pole
- Socket pin security screws keep the tablet secured within the enclosure
- Base can be free standing or bolted to the floor to increase security



Display size: 9.7"



Max load: 5lb (2.3kg)



Rear ventilation



Cable management through the pole or base



Note: Tablet not included

CLICK: peerless-av.com

CALL: 800.865.2112

FAX: 800.359.6500

peerless-AV®

PTS510I(-S)(-W): Kiosk Floor Stand for iPad® Tablets

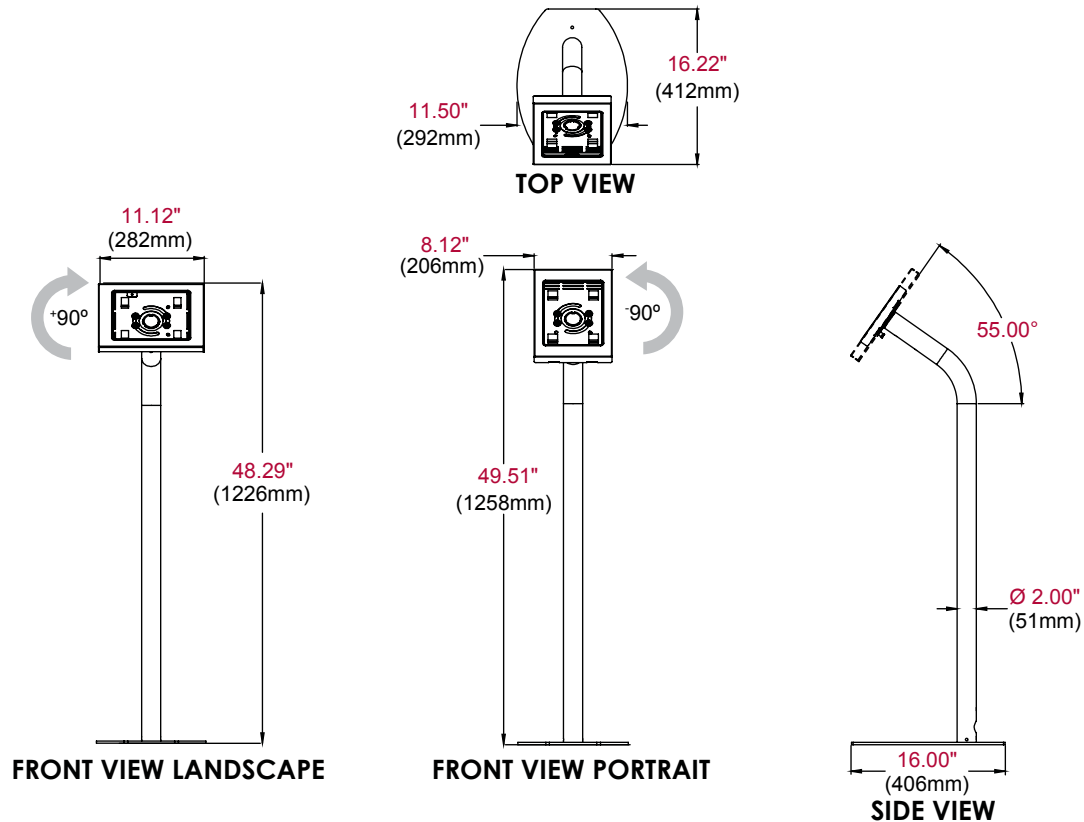
Product Specifications

	DIMENSIONS (W x H x D)	PRODUCT WEIGHT	LOAD CAPACITY	FINISH	AVAILABLE COLORS
PTS510I(-S)(-W)	11.50" X 49.51" X 16.22" (292 X 1258 X 412mm)	24lb (10.9kg)	5lb (2.3kg)	Powder coat	PTS510I: Black PTS510I-S: Silver PTS510I-W: White

Package Specifications

	PACKAGE SIZE (W x H x D)	PACKAGE SHIP WEIGHT	PACKAGE UPC CODE	PACKAGE CONTENTS	UNITS IN PACKAGE
PTS510I(-S)(-W):	57.75" x 19.25" x 7.75" (21466 x 489 x 197mm)	38lb (17.3kg)	PTS510I: 735029292746 PTS510I-S: 735029292753 PTS510I-W: 735029296256	Base plate, tube, housing and assembly hardware	1

All dimensions = inch (mm)



ARCHITECTS SPECIFICATIONS

The Kiosk Floor Stand For iPad® Tablets shall be a Peerless-AV model PTS510I(-S)(-W) and shall be located where indicated on the plans. Assembly and installation shall be done according to instructions provided by the manufacturer.

Peerless Industries, Inc. ■ 2300 White Oak Circle ■ Aurora, IL 60502 ■ (800) 865-2112 ■ (630) 375-5100 ■ Fax: (800) 359-6500 ■ peerless-av.com

Visit peerless-av.com to see the complete line of AV solutions from Peerless-AV, including flat panel mounts, projector mounts, carts/stands, furniture, cables, screen cleaners and a full assortment of accessories.