

MOD-FCSKIT300(B)

Modular Series Floor-to-Ceiling Kit For 32" to 60" Displays

The Peerless-AV® Modular Mounts Line includes a small and easily manageable number of sku's, yet provides a full range of options that can fulfill a vast majority of end-user requirements. Universal components make it quick and easy to design and configure perfect custom flat panel display or projector mounting solutions - ideal for any application.

The Modular Mount Line was developed with the professional AV installer in mind. Designed around a 2" (50mm) diameter pole, the line is ideal for new projects as well as for upgrading existing installations.

The MOD-FCSKIT300 Floor-to-Ceiling Kit includes all of the components required to mount a single 32-60" flat panel display between the floor and ceiling. As a part of the Peerless-AV Modular Series, it can be expanded with additional Modular accessories (sold separately) to accommodate additional displays or to create alternative configurations to achieve the perfect custom mounting solution.



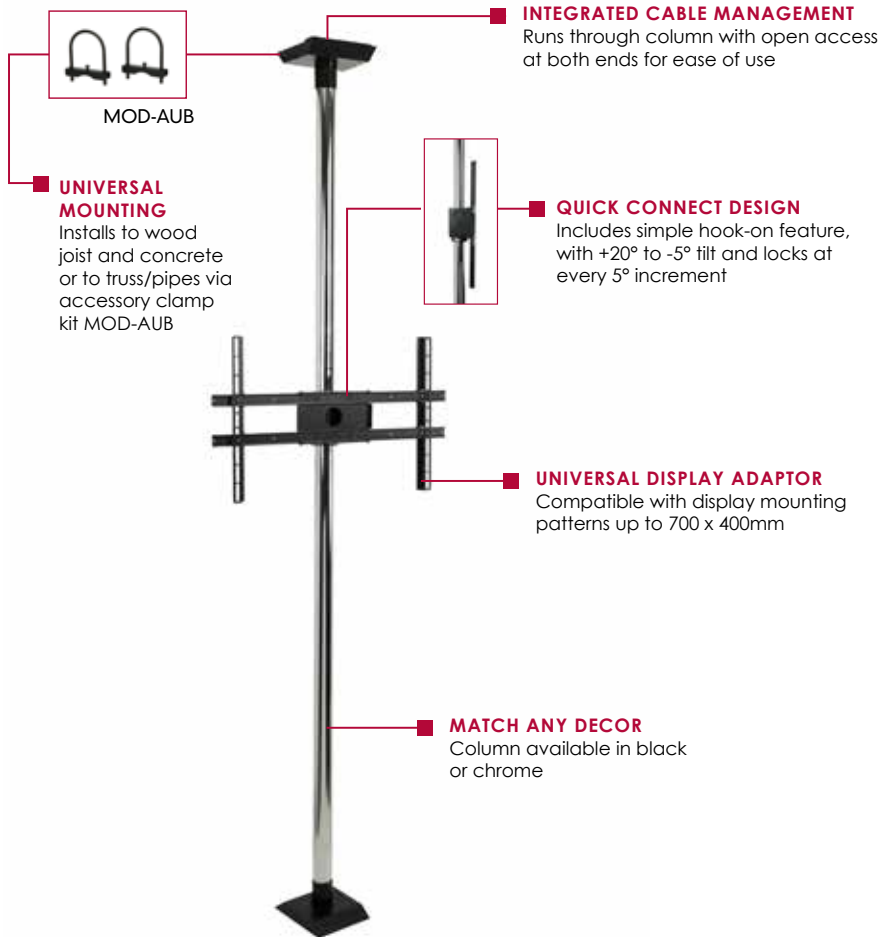
Display size: 32" - 60"



Max load: 132lb (60kg) per display
374lb (170kg) total

FEATURES

- Pre-assembled Kit includes:
 - Flat ceiling/floor plates
 - 9'-8" (3m) chrome or black extension column
 - Single display flat panel mount
 - Display stacking clamp
 - Large universal adaptor
- Heavy duty flat plate mounts to wood or concrete ceiling and floor
- Easy single display installation between floor and ceiling up to 9'-8" (3m) height
- Universal display adaptor for 32" to 60" displays with VESA® mounting patterns up to 700 x 400mm
- Versatile display positioning at any point along the height of the 2" (50mm) diameter column



Tilt bracket



Accessory Cover for MOD-CPF Ceiling Plate



Model Numbers

WARRANTY: Limited 5-year

MOD-FCSKIT300(-B) Modular Series Floor-to-Ceiling Kit for 32" to 60" Displays

Product Specifications

	DIMENSIONS (W x H x D)	PRODUCT WEIGHT	LOAD CAPACITY	FINISH	AVAILABLE COLORS
MOD-FCSKIT300(-B)	28.50" x 118.11" x 4.21" (724 x 3000 x 107mm)	26.3lb (11.9kg)	132lb (60kg) per display 374lb (170kg) total	Powder coat	MOD-FCSKIT300: Black/Chrome MOD-FCSKIT300-B: Black

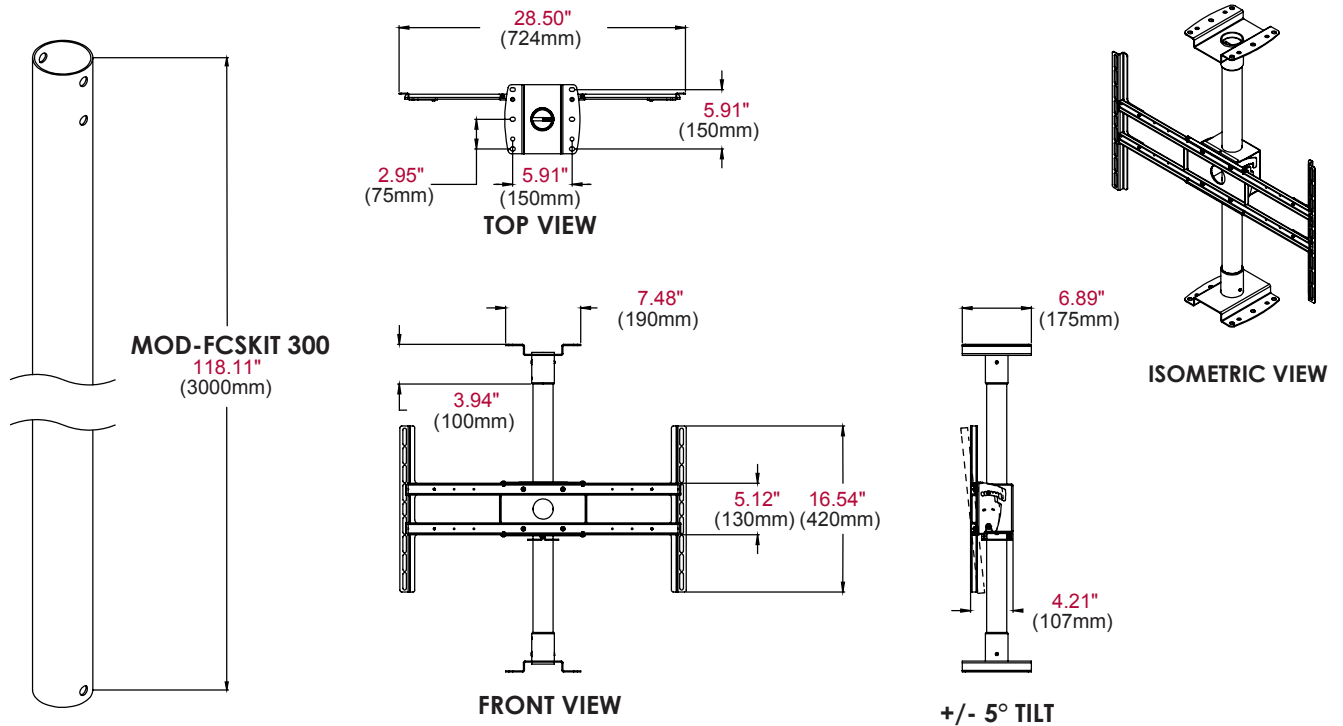
Package Specifications

	PACKAGE SIZE (W x H x D)	PACKAGE SHIP WEIGHT	PACKAGE UPC CODE	PACKAGE CONTENTS	UNITS IN PACKAGE
MOD-FCSKIT300(-B)	BOX 1: 10.25" x 10.25" x 8.25" (260 x 260 x 210 mm) BOX 2: 35.38" x 4.00" x 2.00" (899 x 102 x 51mm) BOX 3: 120.00" x 2.50" (3048 x 64mm)	BOX 1: 33.8lb (10.7kg) BOX 2: 4.0lb (1.8kg) BOX 3: 2.0lb (0.9kg)	MOD-FCSKIT300: 735029282532 MOD-FCSKIT300-B: 735029290162	- 2 each MOD-CPF heavy duty flat ceiling plate - MOD-P300 9' 8" (3m) extension pole - MOD-ASC display stacking clamp - MOD-FPMS single screen mount - MOD-UNL large universal adaptor	1

Accessories

MOD-ACF(-W): Accessory Cover for MOD-CPF Ceiling Plate	MOD-CPC(-W): Ceiling Plate, Cathedral	MOD-P150(-B): 50mm Extension Pole - 59" (1.5m)
MOD-ADF: Accessory Drill Fixture for 50mm Pole	MOD-CPF: Square Ceiling Plate, Flat (7.4" x 6.8")	MOD-P200(-B): 50mm Extension Pole - 78" (2.0m)
MOD-APC: Accessory Pole Coupler	MOD-CPI: I-Beam Ceiling Plate, Flat	MOD-P300(-B): 50mm Extension Pole - 118" (3.0m)
MOD-ASC: Accessory Screen-Stacking Clamp	MOD-FPMD: Flat Panel Mount, Dual Back-To-Back	MOD-UNL: Universal Screen Adaptor, Large
MOD-ATD-W: Accessory Trim Disc	MOD-FPMS(-W): Flat Panel Mount, Single	MOD-UNM: Universal Screen Adaptor, Medium
MOD-AUB: Accessory U-Bolt Adaptor	MOD-P100(-B): 50mm Extension Pole - 39" (1.0m)	

All dimensions = inch (mm)



ARCHITECTS SPECIFICATIONS

The Modular Series Floor-to-Ceiling Kit shall be a Peerless-AV model MOD-FCSKIT300(-B) and shall be located where indicated on the plans. Assembly and installation shall be done according to instructions provided by the manufacturer.

Peerless Industries, Inc. ■ 2300 White Oak Circle ■ Aurora, IL 60502 ■ (800) 865-2112 ■ (630) 375-5100 ■ Fax: (800) 359-6500 ■ peerless-av.com

Visit peerless-av.com to see the complete line of AV solutions from Peerless-AV, including flat panel mounts, projector mounts, carts/stands, furniture, cables, screen cleaners and a full assortment of accessories.