

# RPM REAR PROJECTION MOUNT *rpv*

## Description

The rp Visual Solutions' rpm Mount is a Free Standing Rear Projection Mount designed with minimal depth allowing the projector to be out of sight, creating a high resolution, quality image. This Single or Double Mirror Bounce rpm Mount is comprised of 45mm x 45mm Bosch Based Aluminum Extrusion using either a 2-Axis or 6-Axis alignment projector cradle. The 6-Axis allows for the Forward/Back, Left/Right, Elevation, Tilt, Roll, and Yaw. The rpm Mount can have leveling feet with +/- 1.5" Adjustment and/or casters. The mirror management system uses 94% Reflective First Surface Glass Mirror(s). The rpm Mount will be designed to display: 4:3, 16:9, 16:10, or any any aspect ratio required.

rp Visual Solutions conducts Factory Certification Testing (FCT) on all products. An FCT involves attaching the display(s) to the custom mount, ensuring fit and finish of the final display. This offsite "practice run" is designed to eliminate problems during the actual installation, and to validate the display manufacturer's specification and optics. Photos are taken during the FCT, which can also aid installation.

## Features

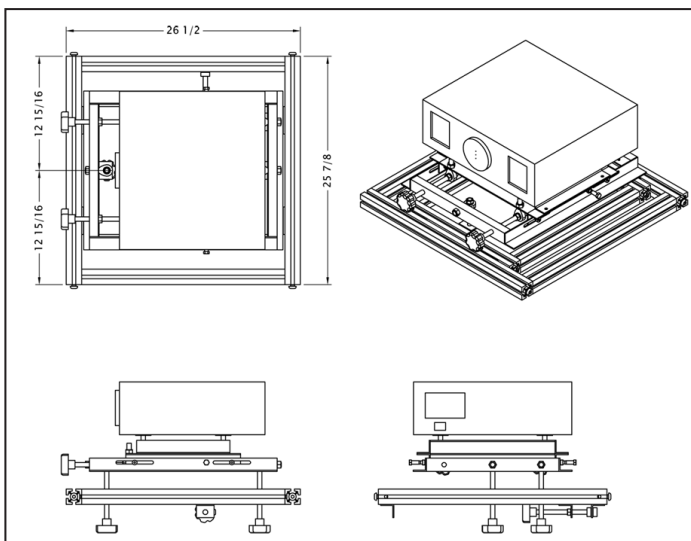
- Precision 6-axis adjustable platform
- Includes multipoint mirror fine-tuning system
- Tight footprint, compact design
- Compatible with any projector
- Free standing structure

## Construction

- Fixbloc & T-bolt assembling joinery without welded components for ease of installation
- EZ Leveling feet (usable leveling range: +/- 1.5")



Single Bounce



6-Axis Adjustment



Multipoint Mirror Fine-Tuning System