

Ticket window
 Conferencing
 Surveillance and security

- Hemispherical polar pattern; Clear, intelligible pickup of speech
- Low profile, cylindrical design, perfect for wall or tabletop installations
- Choice of mic level output (PZM®-10) or line-level output (PZM®-10LL)
- PZM®-10 powered by 12-48V phantom power
- PZM®-10LL powered by 12-24V DC

PZM-10

PZM-10LL



The PZM®-10 and PZM®-10LL, part of the Pressure Zone Microphone® line, are designed for security, surveillance, and conference-table use. Since they do not look like microphones, they are inconspicuous. Each mic's tubular housing mounts in a 25/32-inch diameter hole in a ceiling panel, wall or table.

The PZM®-10 has a mic-level output and a 3-pin XLR-type connector for easy plug-in installation. The mic requires 12 to 48 V phantom power.

The PZM®-10LL has a line-level output from its unterminated cable. It requires 12 to 24 V DC. Like other Pressure Zone Microphones®, the PZM®-10 and PZM®-10LL use a miniature mic capsule mounted very near a sound-reflecting plate or boundary, in the Pressure Zone. In this zone, direct sound from the sound source combines in phase at all frequencies with reflected sound off the boundary. The benefits are many: 6 dB more sensitivity, 6 dB less noise, a wide smooth frequency response free of phase interference, excellent clarity and "reach", and consistent pickup anywhere around the mic.

Frequencies below the voice range are rolled off to reduce pickup of air conditioning rumble. The high-frequency response is boosted slightly to help articulation. Because of their tailored response and PZM® construction, the PZM®-10 and PZM®-10LL will pick up conversations or other desired sounds with extra clarity and definition.

The output is balanced, low impedance, which allows long cable runs without hum pickup or high-frequency loss. The mic's humbucking transformer and steel case prevent hum pickup, even near fluorescent lights.

AKG SOUNDS BETTER



Installation

1. Please refer to Fig. 3 and identify the parts shown.
2. Determine where you want to install the microphone, and drill a 25/32-inch diameter hole there.
3. **PZM-10 only:** Obtain some 2-conductor shielded mic cable, long enough to run from your equipment input to the microphone. If space is tight behind the mounting surface, obtain a right-angle female XLR connector. Solder the female XLR connector onto the cable: shield to pin 1, hot lead to pin 2, other lead to pin 3.
3. **PZM-10LL only:** Obtain enough mic cable to run from your equipment input to the microphone. You can use either a 2-conductor shielded mic cable with a separate DC power lead, or a 3-conductor shielded mic cable (with one of the leads used for power).
4. Run the female XLR (if used) and mic cable to the hole.
5. Using a 5/32-in. Allen wrench, remove the collar from the microphone. Insert the microphone tube into the hole.
6. Slide the collar onto the mic tube. Pull the plate tight against the hole and press the collar tight against the mounting surface. Tighten the Allen screw in the collar.
7. **PZM-10 only:** Plug your mic cable into the microphone.
7. **PZM-10LL only:** Solder the PZM-10LL cable leads to your mic cable as described below:
 Red to 12-24V DC
 White to Audio + lead
 Black to Audio - lead
 Shield to cable shield and power supply

To pick up speech from a small conference table (about 6 feet square), mount the PZM-10 or PZM-10LL in the middle of the table. For longer tables, use one PZM in the middle of every 4 to 6 people. No person should be more than 3 feet from the nearest microphone.

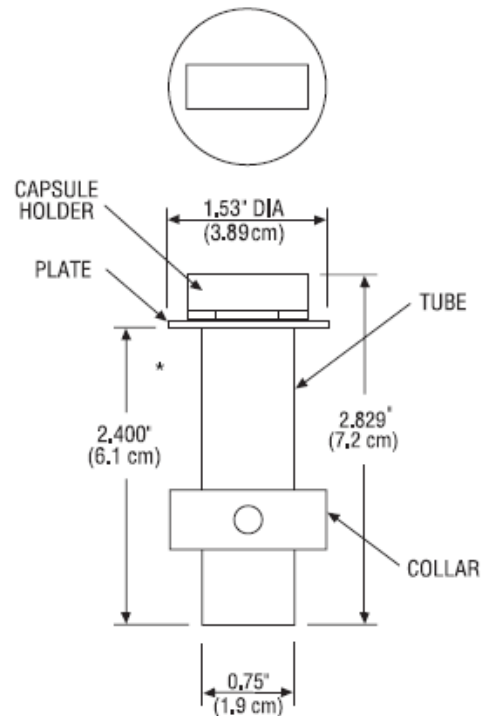
Architects' and Engineers' Specifications

The microphone shall be the Crown Model PCC-130SW or equivalent. The microphone shall be a half-supercardioid electret condenser type. The microphone shall employ the principle of phase coherency achieved by mounting a small-diameter element very near a boundary, thus eliminating comb filtering in the audible spectrum.

The microphone will exhibit excellent off-axis response and gain-before-feedback. A 4,6 m (15 ft.), two-conductor shielded cable with XLR connectors shall be supplied with the microphone.

The PCC®-130SW shall have a silent operating membrane switch which can be configured for push on/off, momentary on or momentary off operation.

The PCC®-130SW is specified.

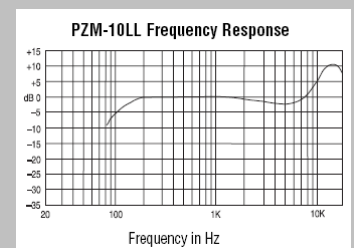
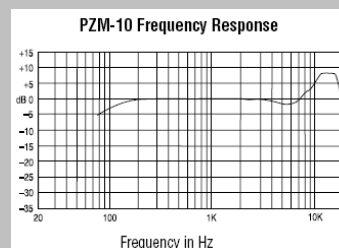


*2.450 in. (6.2 cm) in PZM-10LL

Specifications:

Polar pattern:	hemispherical	
Frequency response:	PZM-10: 80 to 20,000 Hz PZM-10LL: 100 to 20,000 Hz	
Impedance:	PZM-10: 240 ohms PZM-10 LL: 75 ohms	
Equivalent noise level:	26 dB-A	
Maximum SPL:	120 dB	
Finish:	off-white. May be painted any color.	
Net weight:	PZM-10: 74 g (22,6 oz.) PZM-10 LL: 93 g (3,3 oz.)	

Item number:	PCC-10	6000H50070
	PCC-10LL	6000H50060



www.akg.com

AKG Acoustics GmbH

Lemböckgasse 21–25, 1230 Vienna/AUSTRIA, phone: + 43 1 86654 0

e-mail: sales@akg.com

AKG Acoustics, U.S.

8400 Balboa Boulevard, Northridge, CA 91329, U.S.A., phone: + 1 818 920 3212

e-mail: akgusa@harman.com

For other products and distributors worldwide visit www.akg.com

Specifications subject to change without notice.

 A Harman International Company

