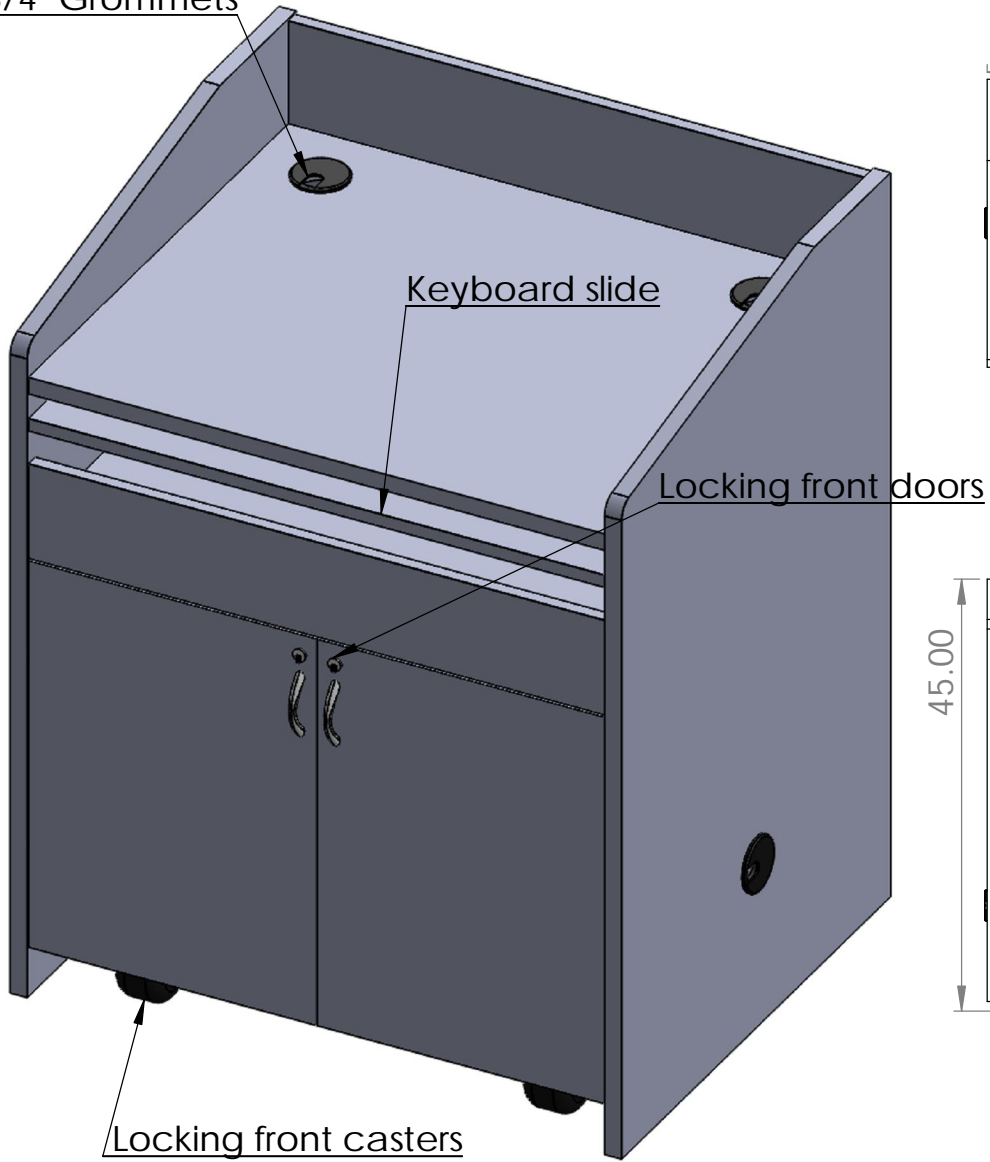
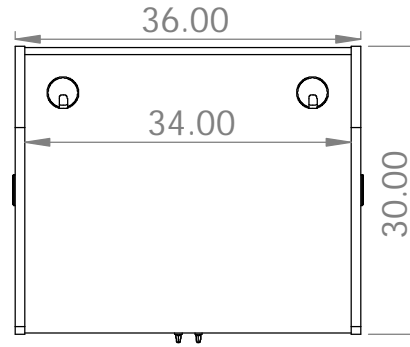


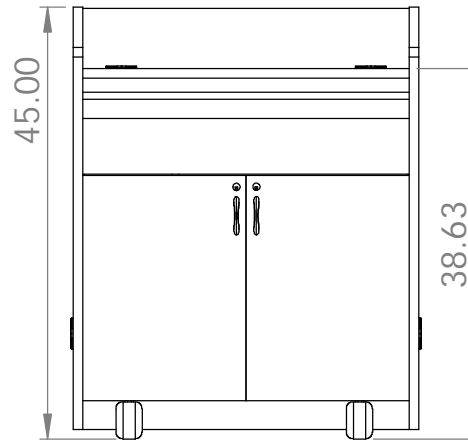
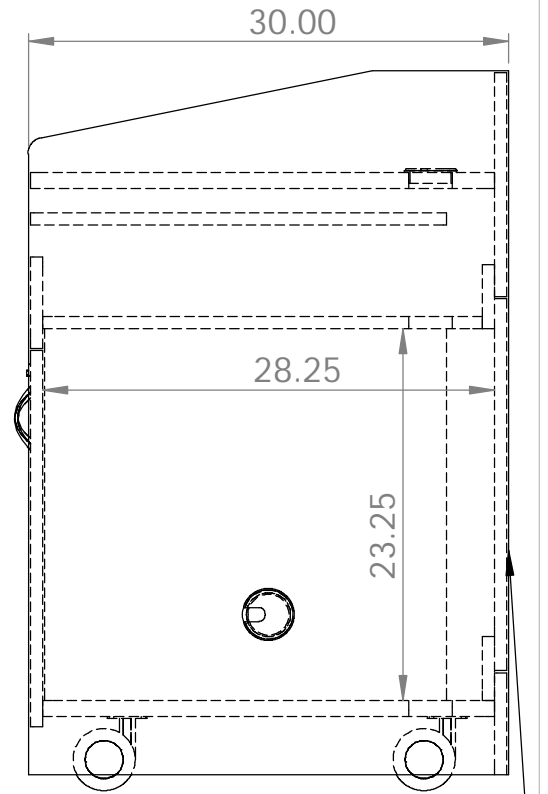
2-3/4" Grommets



Top View



Side View



Presenter View

Removable back



**PROPRIETARY AND CONFIDENTIAL**

- The information in this drawing is the sole property of Exact Furniture Limited.

- Specification subject to change without notice.

MATERIAL

FINISH

DO NOT SCALE DRAWING

Date:

Customer:

Model:

COMMENTS:

TITLE:

SIZE

DWG. NO.

REV

**A**

**PM-436**

SCALE: 1:20 WEIGHT:

SHEET 1 OF 1