



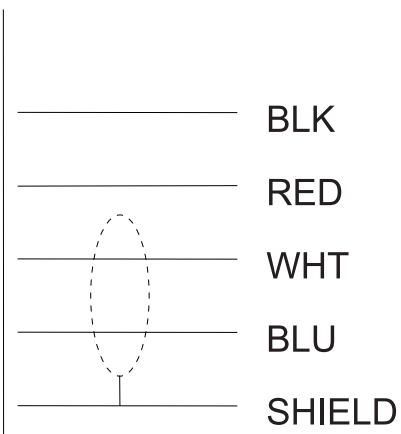
PH-88

Single-Sided Headset with Flexible Dynamic Boom Mic

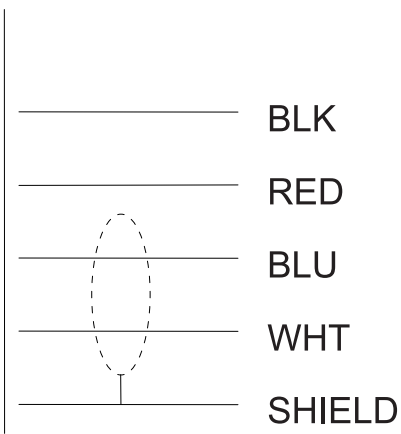
The PH-88 is a single-sided super lightweight headset for the ultimate in daylong comfort. It offers a dynamic noise-canceling gooseneck microphone with a semi-rigid, fully adjustable boom for precise positioning. The high-quality wide band dynamic earphones are covered in moleskin for superior fit, isolation and frequency response. Available with 4-pin male or female XLR connectors with coiled or straight cords, a 5-pin male XLR connector, dual 3.5mm connector, or a 3.5mm 4-conductor connector.

Wiring Diagram

Connection in headset	Wire color at cord termination	Connection in headset	Wire color at cord termination
L SPK +	BLK	L SPK +	BLK
SPK -	RED	SPK -	RED
MIC +	WHT	MIC +	BLU
MIC -	BLU	MIC -	WHT
MIC SHIELD	SHIELD	MIC SHIELD	SHIELD



PH-88



PH-88-IC3

PH-88 Specifications

Connector Termination

PH-88: XLR 4-pin Female
PH-88E: XLR 4-pin Female coiled cord
PH-88ER: XLR 4-pin Male coiled cord
PH-88IC3: Dual 3.5mm
PH-88R: XLR 4-pin Male
PH-88R5: XLR 5-pin Male
PH-8S: 3.5mm 4-conductor

Type

Single Sided

Mic Type

Dynamic Noise-Canceling

Mic Sensitivity

-65dBV/Pa @1cm

Mic Frequency Range

200Hz - 10kHz

Mic Impedance

200Ω

Speaker Sensitivity

109dB SPL @1kHz, 1mW

Speaker Frequency Range

100Hz - 7kHz

Speaker Impedance

300Ω

Weight

2.5oz. (not including cord)

Cord Length

PH-88: 5.5 ft.
PH-88E: 2 ft. retracted, 12 ft. extended
PH-88ER: 2 ft. retracted, 12 ft. extended
PH-88IC3: 9 ft.
PH-88R: 5.5 ft.
PH-88R5: 5.5 ft.
PH-8S: 9 ft.

Ordering Information

PH-88

Single-Sided Headset with Flexible Dynamic Boom
Mic & A4F Connector
Catalog Number: 300852-200

PH-88-IC3

Single-Sided headset with Flexible Dynamic Boom
Mic & two 3.5mm Connectors. Works with the ICW-3.
Catalog Number: 300852-300

PH-88E

Single-Sided Headset with Flexible Dynamic Boom
Mic, A4F Connector, & Extended Cable
Catalog Number: 300852-203

PH-88ER

Single-Sided Headset with Flexible Dynamic Boom
Mic, A4M Connector, & Extended Cable
Catalog Number: 300852-204

PH-88R

Single-Sided Headset with Flexible Dynamic Boom
Mic & A4M Connector
Catalog Number: 300852-201

PH-88R5

Single-Sided Headset with Flexible Dynamic Boom
Mic & A5M Connector
Catalog Number: 300852-202

PH-8S

Single-Sided Headset with Flexible Dynamic Boom
Mic & 3.5mm Mini Connector for Sony Cameras
Catalog Number: 301494-000

Contact Information

Telex Communications, Inc.
12000 Portland Avenue South
Burnsville, Minnesota 55337
Telephone: 877-863-4169
Fax: (800) 323-0498

Form Number: 38109-834 Rev D
Date: December, 2007

This specifications information is preliminary and is subject to change without notification.
Brand names mentioned are the property of their respective companies.