

LP-T6 LP-T6-FLEX

Low Profile Table Boxes

FSR

Metal Products Group

LP-T6 · LP-T6-FLEX



LP-T6



LP-T6 FLEX



DESCRIPTION

The LP-T6 is a “low profile” space saving version of FSR’s award winning T6 table box series. It allows the use of up to four LP retractor assemblies. The shorter style LP retractors are stacked in a side by side fashion and are parallel to the edge of the table to maximize under table clearance and give the user additional leg room while seated.

The LP-T6-FLEX has all the features of the LP-T6 with the addition of an FSR FLEX control system panel mounted in the cover. It contains a 3.5” color LCD touch screen and all of the connectivity needed to control lighting, shades and all other AV equipment installed all from one central location. It features the full complement of serial, IR, and GPIO making it the right choice for larger installations or where network connectivity is required. See FSR FLEX Control System documentation for more details.

This elegant addition to your conference table includes one opening for any T6-LB insert. The cover contains a milled opening allowing access to cables in the closed position. A choice of round or square covers and finishes that include black anodized, clear anodized aluminum or brushed brass are available. Mounting is a snap! Whether you select a round or square cover, the mounting is always a 6” diameter round hole. The LP-T6 can be ordered in a variety of configurations. Use the ordering tables on the back to simplify the ordering process.

FEATURES

LP-T6

- Round or Square Covers available in Black, Aluminum or Brushed Brass
- Easy mounting in a wide variety of tables
- Connector plates can be ordered to match customer requirements
- Can be reconfigured at any time as requirements change
- Adjustable depth interior compartment accommodates longer/larger connector shells.

LP-T6-FLEX

- 3.5” Diagonal Color LCD Touch Screen
- 4 Serial Ports
- 4 IR Ports (Each Can Control up to 4 Devices)
- 4 GPIO Ports
- IP Port
- Built In Clock / Calendar with Scheduler
- Multi Command Scripting Conditionality
- “Power over Ethernet capability”

FSR Inc.

244 Bergen Boulevard, Woodland Park, NJ 07424

Phone: 973.785.4347 · Fax: 973.785.4207

Order Desk: 1-800-332-FSR1

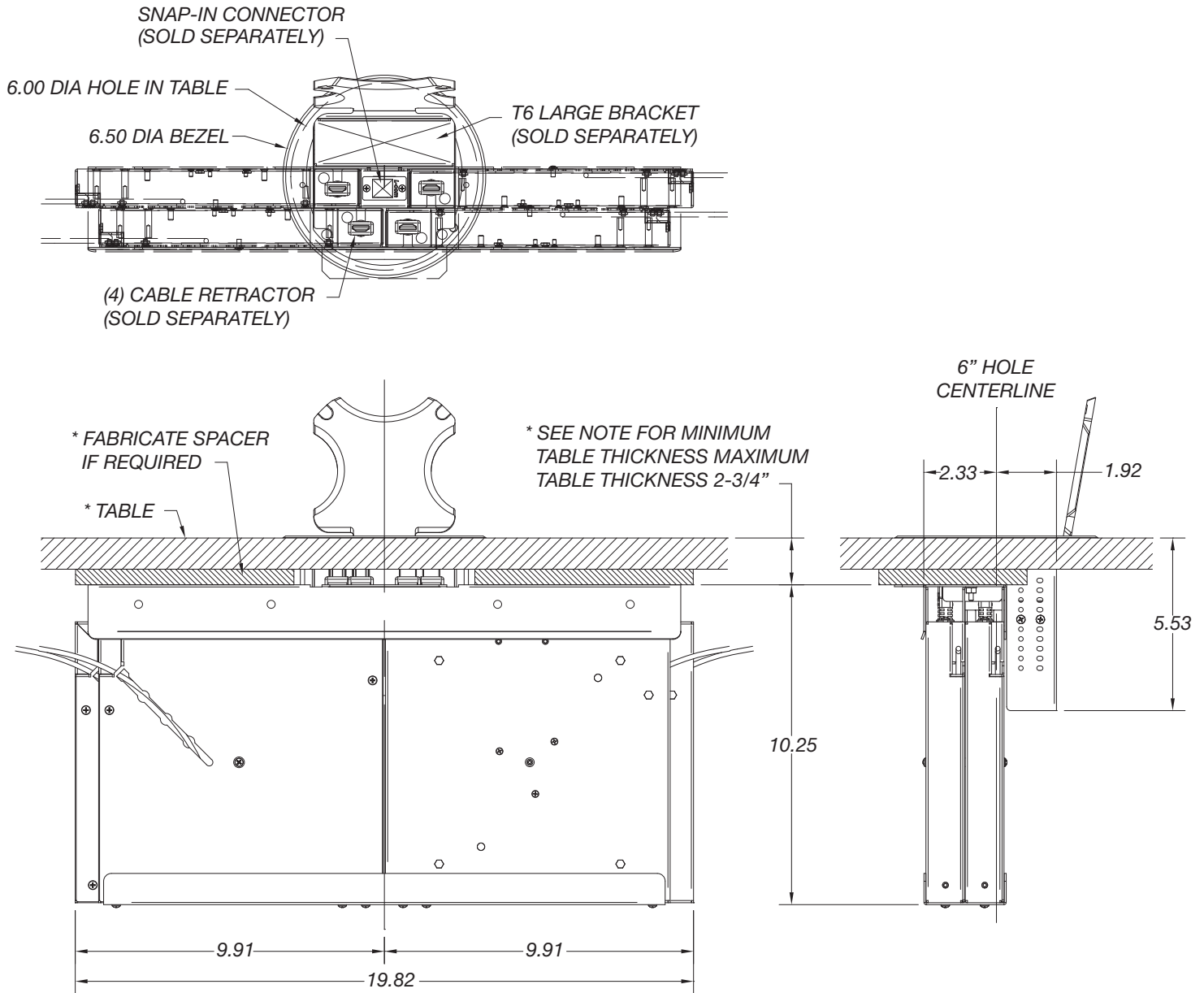
Web: fsrinc.com · E-mail: sales@fsrinc.com LIT1697

LP-T6 DIMENSIONS

CAUTION: IF DESK/TABLE IS LESS THAN MINIMUM THICKNESS SPECIFICATION, SPACERS MUST BE FABRICATED AND USED.

* MINIMUM THICKNESS FOR ALL LP RETRACTORS EXCEPT FOR DISPLAY PORT: 1-1/8"

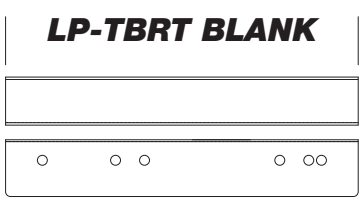
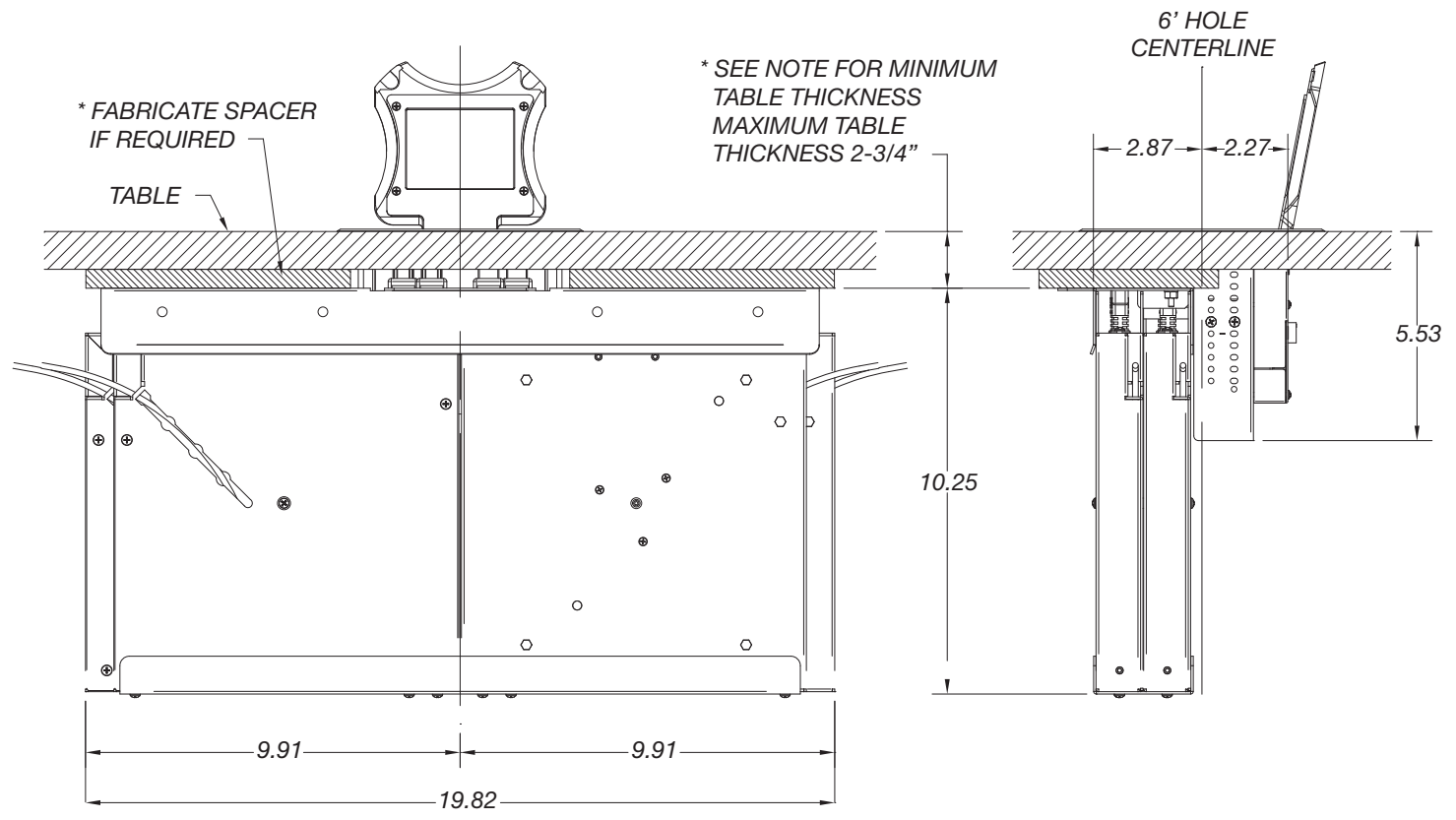
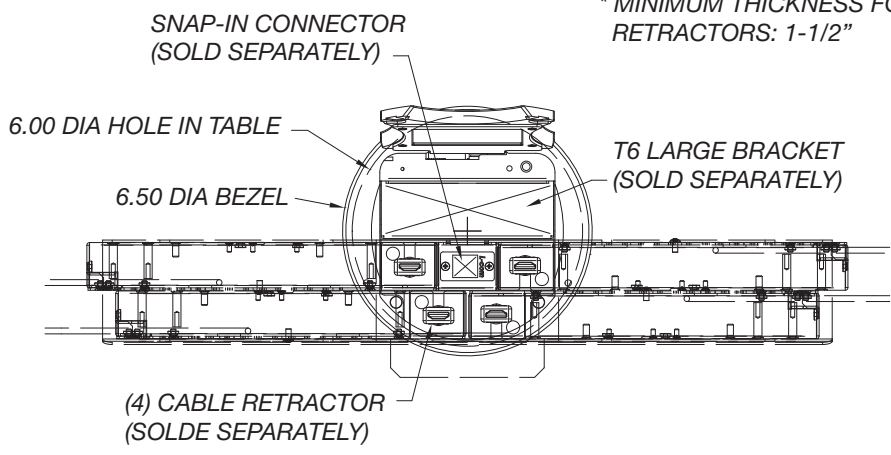
* MINIMUM THICKNESS FOR DISPLAY PORT LP RETRACTOR: 1-1/2"



LP-T6 FLEX DIMENSIONS

CAUTION: IF DESK/TABLE IS LESS THAN MINIMUM THICKNESS SPECIFICATION, SPACERS MUST BE FABRICATED AND USED, OR SCREEN DAMAGE MAY RESULT.

- * MINIMUM THICKNESS FOR ALL LP RETRACTORS EXCEPT FOR DISPLAY PORT: 1-1/8"
- * MINIMUM THICKNESS FOR DISPLAY PORT LP RETRACTORS: 1-1/2"



LP-TBRT BLANK can be used to cover any one or two unused retractor openings on the front row.

ORDERING INFORMATION

LP-T6 Table Box Chassis		
Item #	Part #	Description
18024	LP-T6-BLK	Table Box Chassis
18025	LP-T6-ALM	Table Box Chassis
18026	LP-T6-BRS	Table Box Chassis
18027	LP-T6-FLEX-BLK	Table Box Chassis
18028	LP-T6-FLEX-ALU	Table Box Chassis
18029	LP-T6-FLEX-BRS	Table Box Chassis
LP Retractors		
18030	LP-TBRT-HDMI-BK	Low Profile HDMI Cable Retractor - Black
18031	LP-TBRT-HDMI-BL	Low Profile HDMI Cable Retractor - Blue
18032	LP-TBRT-HDMI-RD	Low Profile HDMI Cable Retractor - Red
18033	LP-TBRT-HDMI-YL	Low Profile HDMI Cable Retractor - Yellow
18034	LP-TBRT-HD15-BK	Low Profile HD15 Cable Retractor - Black
18035	LP-TBRT-AUD-BK	Low Profile 1/8" or 3.5mm Stereo Audio Cable Retractor - Black
18036	LP-TBRT-CAT6-BK	Low Profile Cat-6 Cable Retractor - Black
18037	LP-TBRT-DSPT-BK	Low Profile DisplayPort to HDMI Cable Retractor - Black
18038	LP-TBRT-MINIDS-BK	Low Profile Mini DisplayPort to HDMI Cable Retractor - Black
18039	LP-TBRT-USB-BK	Low Profile USB Type A Cable Retractor - Black
18040	LP-TBRT-DSP-DSP	Low Profile DisplayPort to DisplayPort Cable Retractor - Black
18076	LP-TBRT-BLANK	Retractor Blank
T6 Large Section Brackets		
17910	T6-LB-AC1CH	T6 Large Section Bracket w/1 AC Outlet and 4 Chargers
17956	T6-LB-AC1CH-W	T6 Large Section Bracket w/1 AC Outlet and 4 Chargers-white
17911	T6-LB-AC2CH	T6 Large Section Bracket w/2 AC Outlets and 2 Chargers
17957	T6-LB-AC2CH-W	T6 Large Section Bracket w/2 AC Outlets and 2 Chargers-white
17960	T6-LB-AC2U1	T6 Large Section Bracket w/2 AC outlets with 1 additional AC outlet in rear
17961	T6-LB-AC2U1-W	T6 Large Section Bracket w/2 AC outlets with 1 additional AC outlet in rear-white
17962	T6-LB-AC3RR	T6 Large Section Bracket w/3 outlets with center outlet rotated
17963	T6-LB-AC3RR-W	T6 Large Section Bracket w/3 outlets with center outlet rotated-white
17068	T6-LB-AC3HW	T6 Large Section Bracket w/ 3 AC Outlets - with pigtailed for hard wiring
17914	T6-LB-UN	T6 Large Section Bracket for mounting of 4 IPS inserts or 6 cables
17070	T6-LB-5SS	T6 Large Section Bracket for mounting of 5 SS Snap In Connectors

SIMPLE SOLUTIONS for LP-T6 & LP-T6 FLEX

Keystone Inserts



SS-RJ45
CAT 5 to Bulkhead



SS-SCAT6A
Shielded CAT 6A Punch-Down



SS-RJCAT6
CAT 6 to Punch-Down (Black Only)



SS-RJ11
RJ11 to Punch-Down



SS-LC
Fiber LC Bulkhead (Black Only)



SS-HDMI
HDMI Bulkhead (White and Black Only)



SS-BNC
BNC Bulkhead



SS-SCON
S-Video Connector Bulkhead



SS-FCON
F Connector Bulkhead



SS-RCA-R
Red RCA Bulkhead



SS-RCA-B
Black RCA Bulkhead



SS-RCA-Y
Yellow RCA Bulkhead



SS-MINI
3.5mm Stereo to Solder



SS-SWMOM
Momentary Switch



SS-SWMAIN
Maintained Switch



SS-CBLNK
Blank Insert



SS-USBA
USB A Bulkhead (Black Only)



SS-USBAHW
USB A to Punch-Down (Black Only)



SS-USBB
USB B Bulkhead (Black Only)



SS-USBBHW
USB B to Punch-Down (Black Only)



SS-USB-CHRG
USB Universal 10W Charging Port (black only) with Power Supply