

IT-A25 Series Audio Amplifiers IT-A25-M70 AND IT-A25-S8



IT-A25 Series



The IT-A25 Series Amplifiers are the latest addition to FSR's Intelli-tools family. They are designed to deliver great performance and versatility at an affordable price. Perfect for small venue audio power applications.

Both models support Pro and Consumer Audio input levels. The IT-A25-M70 Mono Amp provides either a 4-8 ohm speaker output or a 70V line output at 25W RMS. The IT-A25 Stereo Amp delivers a 25W/CH output at 8 ohms and can be bridged to drive a 4 ohm load at 50 watts.

The units include surface mounting brackets, self adhesive rubber feet and hardware. Optional rack mounting kits are also available (see accessories).

FEATURES

- Signal Sense trigger for sleep & wake up
- Music and alarm muting capability
- Optional mounts available
- External Power Supply included
- Clean full-range power

APPLICATIONS

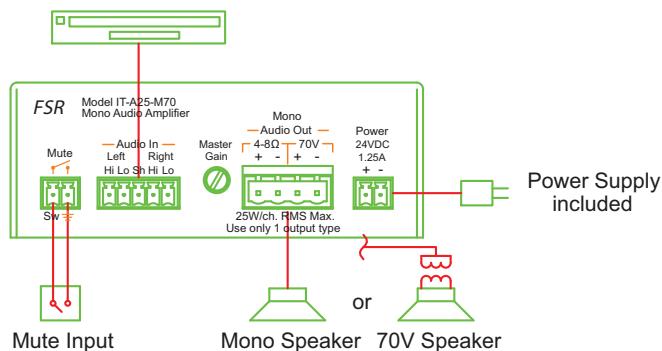
- Boardrooms
- Houses of Worship
- Control Rooms
- Classrooms
- Staging and Rental
- Libraries

ACCESSORIES

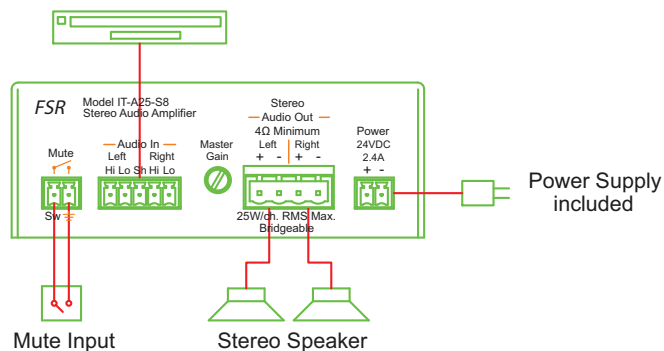
- RK-1 Rack mounting kit
- RK-2 Rack mounting shelf

TYPICAL INSTALLATION

Balanced or Unbalanced
Stereo or Mono Audio Source



Balanced or Unbalanced
Stereo or Mono Audio Source



FSR Inc.

244 Bergen Boulevard, Woodland Park, NJ 07424
Phone: 973.785.4347 · Fax: 973.785.4207
Order Desk: 1-800-332-FSR1
Web: www.fsrinc.com · E-mail: sales@fsrinc.com

LIT1341

SPECIFICATIONS

AUDIO INPUT	IT-A25-M70	IT-A25-S8	
Number of Inputs	1, Stereo balanced		
Connector	5 position pluggable screw terminal		
Maximum Input Level	7 Vrms, +16.9dBV balanced/unbalanced		
Input Impedance	20kΩ balanced/unbalanced		
Input Signal Detection Threshold (for Auto Power Down)	10mVrms, -40dBV		
AUDIO OUTPUT			
Connector	2 position pluggable screw terminal	4 position pluggable screw terminal	
Power Output	25Wrms @ 70V or 25Wrms @ 4 to 8Ω	25Wrms x 2 @ 4 to 8Ω	
Signal Output	Mono	Stereo, 2 Mono, Bridgeable in Mono mode	
Load Impedance	4 to 8Ω or 70V	4 to 8Ω	
THD+Noise	0.1% @ 10KHz, 10W 70V Output	0.5% @ 1KHz, 25W 8Ω	
Frequency Response	100Hz-20KHz, +0, -1dB; -3dB @ 50Hz	20Hz-20kHz, +0, -1dB	
Signal to Noise Ratio	>97dB @ 70V, 100Hz-20KHz, un-weighted	>90dB @ 25W 8Ω, 20Hz-20KHz, un-weighted	
CONTROL ADJUSTMENTS			
Control Switch	Auto Power Down • Stereo/Mono (L+R sum) Pro/Consumer (+12dB) • Unity/+12dB Gain		
Remote Muting Input	Dry contact closure required		
Master Volume	✓	✓	
FEATURES			
Auto Power Down	✓	✓	
Clip Indicator	✓	✓	
Output Short Circuit Protection	✓	✓	
Bridgeable Output	✓	✓	
Power up/down click and Pop suppressor	✓	✓	
POWER REQUIREMENTS			
External Power Supply	100-240VAC	100-240VAC	
Power Input Requirement	24V DC @ 1.2A	24V DC @ 2.4A	
Power Consumption @ Full Output	≤ 28W	≤ 58W	
Standby Power	≤ 1W		
Idle Power	≤ 3.5W		
MECHANICAL	Model	Dimensions (inches)	Shipping weight lbs.
	IT-A25-M70	6.75 x 4.22 x 1.59	2.5
	IT-A25-S8	6.75 x 4.22 x 1.59	1.5
GENERAL			
LED Indicators	Power On • Standby • Clip		
Operating Temperature	0° C to 40° C		
Cooling	Convection cooled		
Enclosure Material	Metal		
Turn on time from Auto Power Down (typical)	25ms		
Time to enter Mute state (typical)	<1ms		
Time to exit Mute state (typical)	30ms		
Amplifier Class	D		



Specifications are subject
to change without notice.

FSR Inc.

244 Bergen Boulevard, Woodland Park, NJ 07424
 Phone: 973.785.4347 · Fax: 973.785.4207
 Order Desk: 1-800-332-FSR1
 Web: www.fsrinc.com · E-mail: sales@fsrinc.com