

## HP82-EZ PRODUCT SPECIFICATIONS

SYSTEM TYPE	8" coax, open-ceiling, high-SPL, ported (64W transformer for 25/70.7/100 Volt or voice coil direct)
IMPEDANCE (NOMINAL)	16 Ω
SENSITIVITY dB @ 2.83/1M	90 dB
SENSITIVITY dB @ 1W/4M	81.4 dB
SENSITIVITY dB @ 1W/1M	92 dB
FREQUENCY RESPONSE (±3 dB)	110 Hz - 22 kHz
FREQUENCY RESPONSE (±10 dB)	80 Hz - 22 kHz
MAX PROGRAM POWER	128 W
MAX CONTINUOUS POWER RMS	64 W
MAX SPL dB @ 1M	111 dB
MAX SPL dB @ 4M	98.9
COVERAGE ANGLE HORIZONTAL @ ±6 dB	500 Hz: 156°, 1 kHz: 98°, 2 kHz: 96°, 4 kHz: 81°
COVERAGE ANGLE VERTICAL @ ±6 dB	500 Hz: 154°, 1 kHz: 99°, 2 kHz: 88°, 4 kHz: 82°
TAP SELECTOR	6 Position Rotary switch with transformer bypass
TRANSDUCER - LOW FREQUENCY DRIVER	8 in (203 mm) Polypropylene cone, butyl rubber surround
TRANSDUCER - HIGH FREQUENCY DRIVER	0.75 in (19 mm) silk dome with Beam Ring™
LOW FREQUENCY VOICE COIL	38 mm / 1.5 in
CROSSOVER FREQUENCY	2.5 kHz
NETWORK TYPE: LOW PASS	6 dB per Octave, 1st Order
NETWORK TYPE: LOW PASS	6 dB per Octave, 1st Order
ENCLOSURE MATERIAL	Injection molded ABS, glass fiber reinforced
GRILLE	Powder-coated aluminum
INPUTS	4-position ceramic terminal connector
COLOR OPTIONS	Black or white (paintable)
HEIGHT	327.7 mm / 12.9 in
DIAMETER	325.9 mm / 12.83 in
WEIGHT	6.35 kg / 14 lbs
SHIPPING WEIGHT	7.5 kg / 16.5 lbs
PACKAGING	1 per box
INCLUDED ACCESSORIES	Hanging hardware, weather plug, cover plate
CERTIFICATIONS	CE, RoHS, UL1480UEAY & UL2239

**Description:**

The HP82-EZ is an 8.0-inch, coaxial speaker designed for open-ceiling applications. Hanging hardware is included and features a built-in hanging bracket and screw on the cover plate for fast, easy and secure installation. The unit may be mounted direct-to-conduit via the locking cover plate (see installation instructions for additional information). The HP82-EZ speaker incorporates 4-position ceramic terminal block input connector and a 6-position tap switch with transformer bypass information.

**Features:**

- One 8.0 inch (203 mm) high power coaxial driver with BroadBeamHP Ring™ technology for high frequency dispersion.
- Weatherized components for indoor and outdoor applications.
- Includes hanging hardware with galvanized steel cables and hanging bracket for fast, easy and secure installation. Unit may be hung or mounted direct-to-conduit via locking cover plate.
- Enclosure constructed of injection molded ABS with glass fiber reinforcement for lasting durability in indoor or outdoor applications.
- Easy access six-position rotary switch for 25-, 70.7- and 100-volt applications with transformer bypass position.
- Aluminum grille with protective powder-coated finish.
- Built-in thermal fuse.
- Unit ships in eco-friendly, recyclable packaging.
- High-quality black or white paint finish. Speaker is paintable.
- Included accessories: hanging hardware, weather plug, cover plate.

**Applications:**

Designed for superior off-axis performance and easy installation, the HP82-EZ offers attractive styling in an economical speaker for open-ceiling uses. Cost-effective engineering with high-performance sound makes the HP82-EZ speaker ideal for music and paging applications in retail, grocery stores, restaurants, hotels, casinos, museums, tradeshow and conference rooms. For applications where additional bass is required, SoundTube's RS1001i-II-T 10-inch subwoofer may be used.

**Patented SoundTube Technologies:**

SoundTube Entertainment and MSE Audio Group constantly develop new technologies that enhance audio product performance. SoundTube Entertainment innovations are protected by multiple U.S. and international patents, which explicitly cover SoundTube dispersion, enclosure and dome technologies. MSE Audio Group actively defends its patents in order to protect SoundTube resellers and end users.

**Technical Data and Specification Tools - Technical Data:**

SoundTube Entertainment strives to provide complete and effective technical information and data to dealers, engineers and designers. All data are available from SoundTube Entertainment or at [www.soundtube.com](http://www.soundtube.com).

**Technical Data and Downloads Include:**

- EASE™ data - 3-D polar plots
- EASE™ Address - 2-D modeling for distributed systems
- Autodesk® Revit® software
- Tech Sheets – Technical information and architectural specs for system engineers
- SoundTubeSPEC™ – Proprietary speaker placement software

**Data Acquisition and Verification:**

All data for SoundTube speakers are independently collected from and verified by NWAALabs ([www.nwaalabs.com](http://www.nwaalabs.com)) using their proprietary MACH testing system. All data is collected and analyzed according to ASTM, ISO and AES standards using EASRA, TEF and MLSSA. Full balloon data including both phase and magnitude are compiled into a variety of formats including EASE 4.x, GLL and CLF.

**Architectural Specifications:**

The loudspeaker shall consist of one 203 mm (8.0 in.) low frequency driver and one 19 mm (0.75 in.) high frequency driver. The low frequency voice coil diameter shall be 38.0 mm (1.5 in.).

Performance specifications for a typical production unit shall be as follows: useable frequency response shall extend from 80 Hz - 22 kHz ( $\pm 10$  dB). Measured sensitivity (2.83-volt input, 1 meter) shall be at least 89.0 dB. The speaker shall have a nominal impedance of 16 ohms. The speaker shall be available for 25-, 70.7- and 100-volt modes and shall include a six-position tap switch with a transformer bypass position. Rated power capacity shall be at least 64 watts continuous (RMS) and conform to EIA-426-B testing. Maximum continuous output at 1 meter shall be 110.0 dB.

The low frequency transducer shall have a polypropylene cone with a butyl rubber surround. The high frequency transducer shall have a silk dome tweeter with BroadBeam Ring™ technology.

Installation shall be by galvanized steel cables attached to the speaker chassis via fixed cable end that interlocks with integrated mounting bracket. The external wiring input connector shall be a four-position ceramic terminal block for low impedance or distributed systems and shall accept from 10 - 22-gauge wire. The system shall be for indoor and outdoor applications and shall have a weather-resistant plug protecting all wire connectors inside the cover plate.

The enclosure shall be constructed of injection-molded ABS. The grille shall be constructed of powder-coated aluminum for lasting performance in the elements. Overall cabinet dimensions shall be no more than 327.7

mm (12.9 in.) in height by 325.9 mm (12.83 in.) in diameter. The unit shall weigh no more than 6.35 kg (14.0 lbs.) and shall include hanging hardware and weather-resistant cover plate plug.

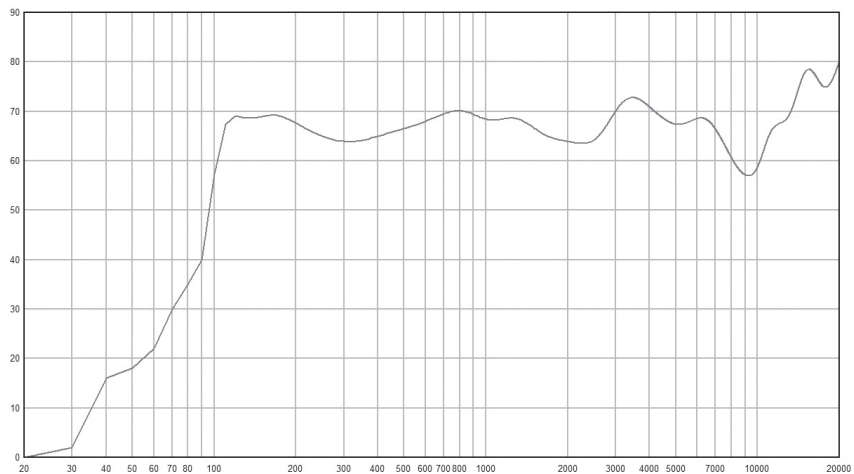
The system shall be the SoundTube HP82-EZ with hanging hardware for both low- and high-impedance applications.

**SoundTube®**

13720 W. 109th St.  
Lenexa, KS 66215  
Phone: 913.663.5600  
Fax: 913.663.3200  
Toll Free: 855.663.5600  
[www.soundtube.com](http://www.soundtube.com)

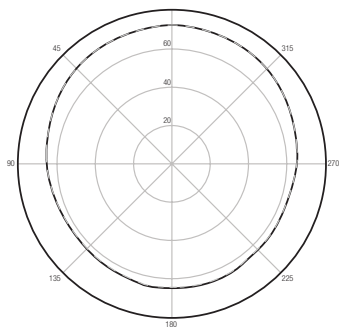
Graphs & Plots:

Frequency Response 1W @ 4M

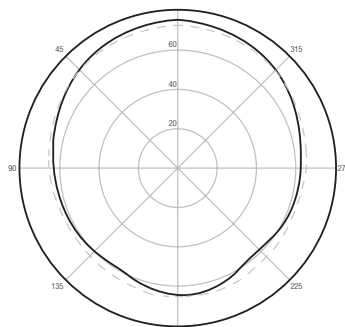


Polar Plots:

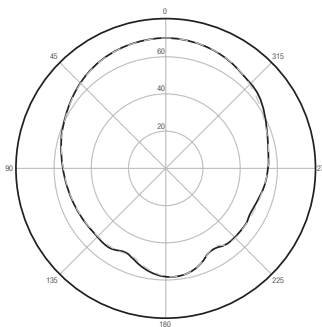
500 Hz



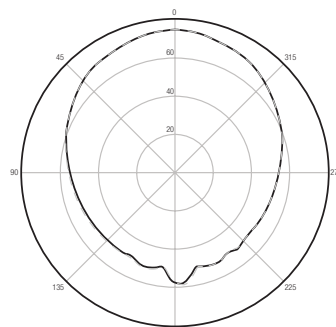
1000 Hz



2000 Hz



4000 Hz



Mechanical Drawings:

