

Fascia for Dual Roller FlexShade

Please check all appropriate selections and attach room schedule with field verified dimensions:

Select Operator (Both operators will be the same):

Standard 110-120V AC Motors

- Standard Motor
- Quiet Motor

Controls

- 110-120V Wall Switch for Single Shade Control
- Low Voltage and/or Multiple Shade Control*

Please see Draper's IntelliFlex Controls Reference Sheet and IntelliFlex® Control System Planning Sheet to design a control solution for this product. The forms are available at www.draperinc.com, or by contacting Draper.

Radio Technology Motors

- 110-120V AC Radio Technology Motor
- 110-120V AC Radio Technology Quiet Motor
- 24V DC Radio Technology Quiet Motor

Controls

- Altus RF
 - 1-Channel Transmitter
 - 4-Channel Transmitter
 - 5-Channel Transmitter with scroll wheel
 - Dry Contact Interface
 - Single Motor Sun Sensor (Circle one: White/Ivory)

Wireless Wall Switch

- 1-Channel (Circle one: White/Ivory)
- 4-Channel (Circle one: White/Ivory)
- Chronis 1-Channel with 24-hour Timer

- Multi-Link Universal RTS Interface (5-channel)
- Multi-Link RS232 to RTS Interface (16-channel)

Transformer (24V DC ONLY)

Plug-In

- 1 Motor
- 3 Motors
- 6 Motors
- 9 Motors
- 12 Motors

Din-Rail Mount

- 3 Motor
- 6 Motors
- 12 Motors

Intelligent Technology (ILT) 110-120V Motors

- Standard ILT 110-120V Motor
- Quiet ILT 110-120V

Controls

- 1-Channel RF Transmitter
- 4-Channel RF Transmitter
- 5-Channel RF Transmitter with Scroll Wheel
- 1-Channel IR Transmitter
- Wireless Wall Switch

Clutch (see safety note on page 2)

- Stainless Steel Bead Chain (standard)
- Nylon Chain
 - Ivory White
 - Grey Brown
 - Black

Select Cord Tension Device (Bead Chain only)

- P-Clip Cord Tension Device
- Optional Spring Loaded Cord Tension Device

For Multiple Panels, Select Roller Installation:

- Standard
- Coupled

Select Operator Location:

- Right Side (standard)
- Left Side

* IM Measure—Draper makes deductions for clearance within opening.
OM Measure—No deduction made. Width shown will be overall dimension.

Select Hardware Finish

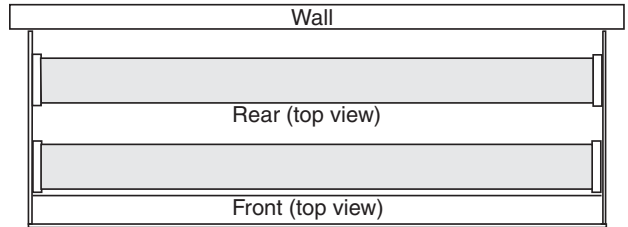
Clear Anodized (standard)

- Black Ivory
- White Bronze

Size: _____

- IM*
- OM*

Indicate number and placement of shade fabrics on rear roller, and number and placement of shade fabrics on front roller (be sure to note shade fabric styles and colors). Choose from the selection below, and refer to Shade Fabric Reference Sheet for colors and specifications.



Fabrics available with Fascia for Dual Roller FlexShade:

- Draper GreenScreen® Revive _____
- Draper SunBloc SB9000 _____
- Draper SunBloc SB9100 _____
- Ferrari Soltis 99® _____
- Mermet "E" Screen _____
- Mermet Flocké _____
- Mermet "M" Screen _____
- Mermet "S" Screen _____
- Mermet SilverScreen _____
- Mermet "T" Screen _____
- Mermet Terra _____
- Mermet Vela _____
- Mermet Vizela _____
- Phifer SheerWeave® Basic _____
- Phifer SheerWeave® Infinity _____
- Phifer SheerWeave® PW3500/4100/4400 _____
- Phifer SheerWeave® PW4500/4600 _____
- Phifer SheerWeave® PW4550/4650 _____
- Phifer SheerWeave® PW4800 _____
- Phifer SheerWeave® SW2000/2100 _____
- Phifer SheerWeave® SW2400/2500/2600/2900 _____
- Phifer SheerWeave® SW2701/2703/2705/2710 _____
- Phifer SheerWeave® SW3000 _____
- Phifer SheerWeave® SW5000 _____
- Phifer SheerWeave® SW7000 _____
- Phifer SheerWeave® SW7100 _____
- Phifer SheerWeave® SW7500 _____
- Rockland Roc-Rol _____

Continued

PROJECT: _____

ARCHITECT: _____

CONTRACTOR: _____

SUPPLIER: _____

DATE: _____ REVISED: _____

Specifications—Fascia for Dual Roller FlexShade

Two rollers mounted to a single set of endcaps, to accept fascia.

Method of Operation

NOTE: Both shades must have the same operator type.

Standard 110-120V AC Electric Operator: Drive unit inside roller, 4-wire, instantly reversible, lifetime lubricated. **Right hand motor location standard.** Left hand available. Adjustable limit switches, thermal overload protector and electric brake. Operates on 110-120V AC 1 PH 60 HZ current. Draws 1.1 Amps. For controls, see IntelliFlex® Controls Reference Sheet and IntelliFlex Controls Planning Sheet.

Quiet 110-120V AC Electric Operator: Drive unit inside roller, 4-wire, instantly reversible, lifetime lubricated. **Right hand motor location standard.** Left hand available. Adjustable limit switches, thermal overload protector and electric brake. Operates on 110-120V AC 1 PH 60 HZ current. Draws 1.1 Amps. Operates at or below sound level of 44 Db. For controls, see IntelliFlex® Controls Reference Sheet and IntelliFlex Controls Planning Sheet. Call Draper for size limitations when using quiet motors.

Quiet 110-120V AC Radio Technology Electric Operator: Drive unit inside roller, 3-wire, instantly reversible, lifetime lubricated. **Right hand motor location standard.** Left hand available. Built-in radio receiver. Limit switches adjustable using wall switch or remote control. Thermal overload protector and electric brake. Operates on 110-120V AC 1 PH 60 HZ current. Draws 1.1 Amps. Operates at or below sound level of 44 Db. Call Draper for size limitations when using quiet motors.

24 Volt DC Radio Technology Quiet Operator: Drive unit inside roller, instantly reversible, lifetime lubricated. **Right hand motor location standard.** Left hand motor location available. Limit switches adjustable using wall switch or remote control. Operates at or below sound level of 44 Db. Call Draper for size limitations when using quiet motors.

110-120V AC ILT Electric Operator: Drive unit inside roller, 3-wire, instantly reversible, lifetime lubricated. **Right hand motor location standard.** Left hand available. Built-in encoder and low voltage controller with data cable. Limit switches adjustable using wall switch or remote control. Thermal overload protector and electric brake. Operates on 110-120V AC 1 PH 60 HZ current. Draws 1.1 Amps.

110-120V AC ILT Quiet Electric Operator: Drive unit inside roller, 3-wire, instantly reversible, lifetime lubricated. **Right hand motor location standard.** Left hand available. Built-in encoder and low voltage controller with data cable. Limit switches adjustable using wall switch or remote control. Thermal overload protector and electric brake. Operates on 110-120V AC 1 PH 60 HZ current. Draws 1.1 Amps. Operates at or below sound level of 44 Db. Call Draper for size limitations when using quiet motors.

Battery Operator: Drive unit inside roller, instantly reversible, lifetime lubricated. **Right hand motor location standard.** Left hand motor location also available. Limit switches adjustable using wall switch or remote control. Operates on power provided by two 12V battery wands. Can be retrofitted to manual unit.

Bead Chain Clutch Operator: High carbon steel and molded fiberglass-reinforced polyester thermopolymer (PBT). Bi-directional for mounting at either end of roller. Control loop, of any length, is a stainless steel or plastic bead chain (stainless steel standard). Plastic chain in ivory, grey or black. Never needs adjusting. Lower clutch mounted opposite end of upper clutch. Patent pending.

Hardware

Endcaps: 1028 steel stamping. Complete with adapter roller bracket. Installs to wall or ceiling. Accepts fascia.

Rollers: Extruded aluminum or steel. Roller assembly easily removable.

Roller Idler Assembly: Type 6/6 injected molded nylon and a spring-loaded or sliding pin for easy installation and removal of the roller.

Coupler Assembly (2" OD rollers, 2¾" maximum bundle diameters, only): Zinc plated steel Coupler Shafts shall be retractable into coupler assembly for ease of installation and to lock units in place. Zinc plated steel coupler brackets shall have spherical OD bearings allowing for misalignment of the mounting brackets of up to 1.25-degrees. One motor or crank operator to drive additional shade rollers. Motorized and crank only. Patent pending.

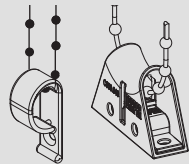
Fascia: L-shaped cover of extruded aluminum, .060 wall. Assembly snaps onto endcaps without exposed fasteners. **Clear Anodized (standard)**, black, white, ivory, or bronze powder coat finish available.

Shade Fabrics:

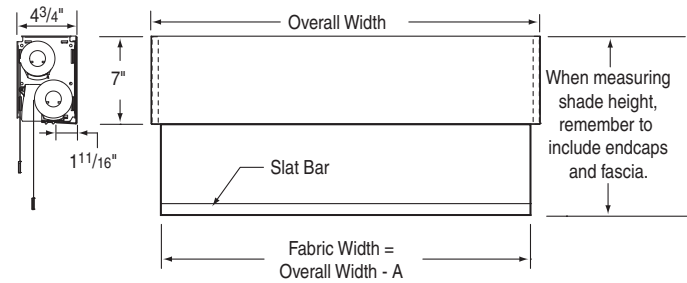
Please see Draper's Shade Fabric Reference Sheet for specifications.

Safety Note for Bead Chain Clutch Shades

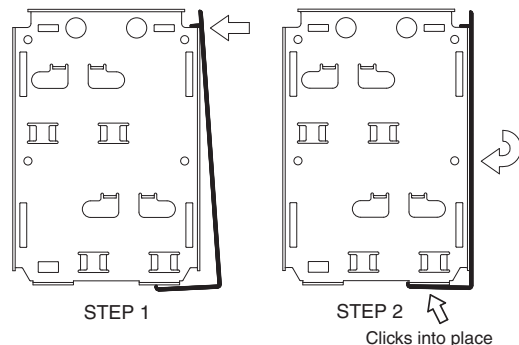
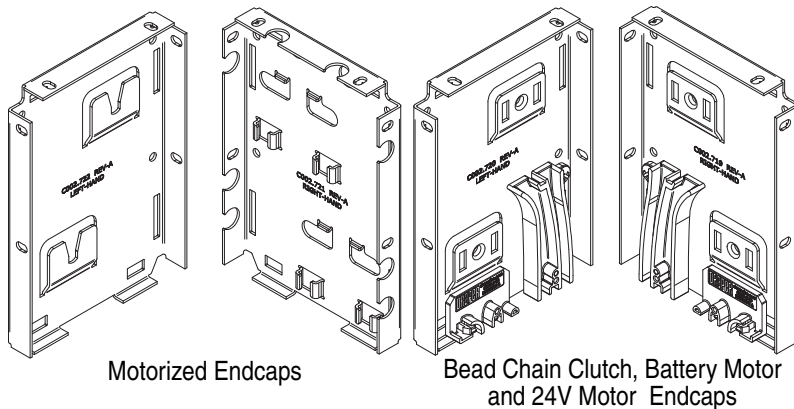
Please Note: If shades are to be installed in areas accessible to young children, be certain to use cord tension device included with Bead Chain Clutch shades. Clutch-operated shades should not be installed near cribs or playpens.



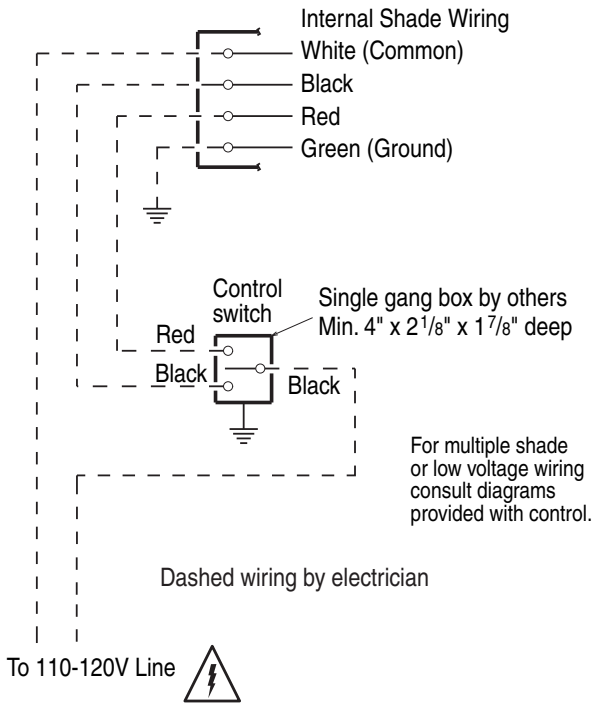
Dimensions



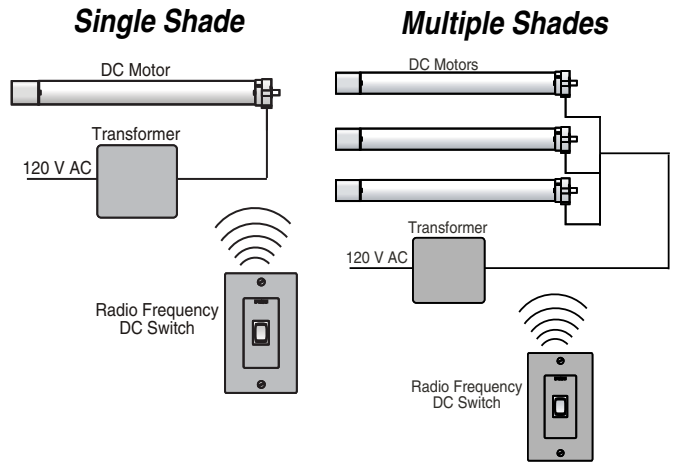
Operator	Dim A
110-220V Standard/ILT	1¾"
110-220V Quiet	1 ¹⁵ / ₁₆ "
Battery/24V	1 ¹¹ / ₁₆ "
Bead Chain Clutch	1 ⁵ / ₈ "



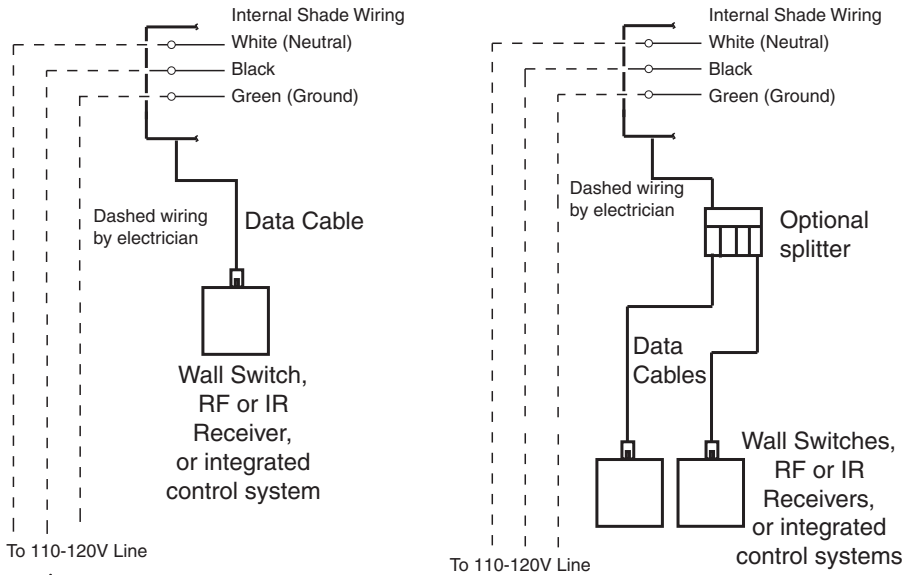
110-120V Standard and Quiet Shade Wiring Diagram



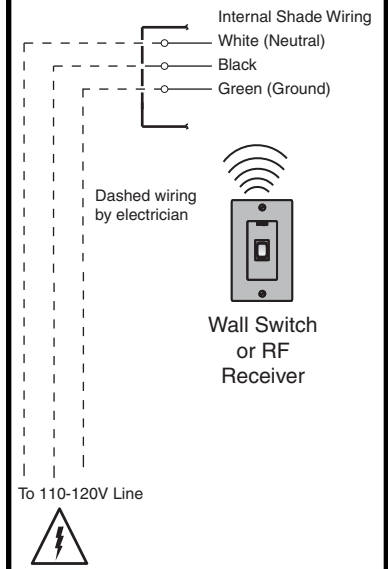
24V DC Quiet Shade Wiring Diagram



110-120V ILT Standard and Quiet Shade Wiring Diagrams
 Single Low Voltage Control Multiple Low Voltage Controls



**Radio Technology
 110-120V Motors**



Multiple ILT Motors

