

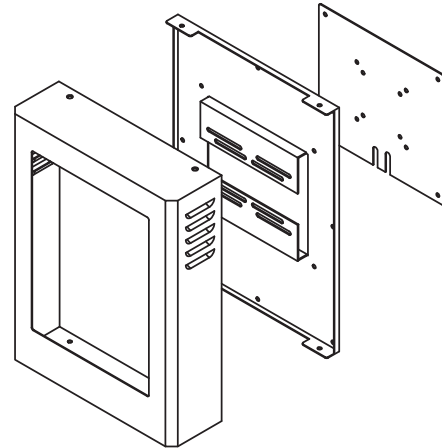


FRC-LCD-P24

Protective cover

Ideal protection against vandalism

This protective cover is perfect for protecting monitors against vandalism. Made of aluminum, it is lightweight and easy to install. It is equipped with a shock-proof polycarbonate window. Can be install on any VESA MIS-F 100 X 100 mount. (16:9 aspect ratio)



SPECIFICATIONS

Fabrication:

Body: All aluminum, 11 Ga. , #3003-H14 alloy
Window: 3/16" clear polycarbonate, antiabrasion
Finish: Grey polyurethane coating
Weight: 8.64 lbs (3.92 kg)

Security lock: secure by (4) tamper proof screws

External Dimensions:

Width: 15.75" (400 mm)
Height: 26.185" (665 mm)
Depth: 4.00" (102 mm)

Internal Dimensions:

Width: 14.75" (375 mm)
Height: 24.81" (630 mm)
Depth: 2.25" (57 mm)

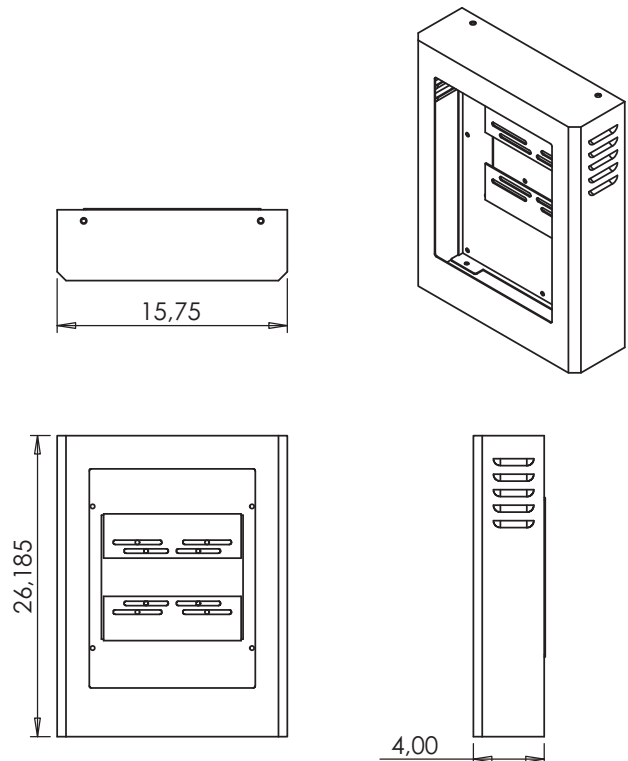
Monitor's maximum Dimensions:

Width: 14.75" (375 mm)
Height: 24.685" (627 mm)
Depth: 2.25" (57 mm)

Accessories:

FSM-LCD-20
FSP-LCD-20

NOTE: that the dimensions can varied according to the display.





WARRANTY

IMPORTANT SAFEGUARDS AND WARNINGS

- Installation and servicing should only be done by qualified service personnel and conform to all local codes.
- The installation method and materials should be capable of supporting four times the weight of the enclosure.
- Only use replacement parts recommended by BATKO

WARRANTY AND RETURN INFORMATION

WARRANTY

BATKO will repair or replace, without charge, any merchandise proved defective in material or workmanship for a period of one year after the date of shipment. In order to expedite parts returned to the factory for repair or credit, please call the factory at 1-800-463-1455 to obtain an authorization number. Goods returned for repair or credit should be clearly identified with the assigned Cairo number and freight should be prepaid. All merchandise returned for credit may be subject to a 20% restocking and refurbishing charge. Repairs made necessary by reason of misuse, alteration, normal wear, or accident are not covered under this warranty.

LIMITED WARRANTY

Batko makes no warranty of any kind, express or implied except that the items sold under this agreement shall be free of defects in material and workmanship for a period of one year from the user's date of purchase. User assumes risk and liability resulting from the use of the goods, whether used singly or in combination with other goods. BATKO neither assumes nor authorizes any other person to assume for it any other liability in connection with the sale or use of the goods sold and there are not oral agreements or warranties collateral to or affecting this limited warranty. BATKO will repair or replace defective parts or equipment within one year of the date of purchase, at its option, provided the part or equipment is returned prepaid to BATKO'S plant. No allowance for outside labor charges are implied within the term of this warranty. Under no circumstances will BATKO be responsible for special, indirect or consequential damages. The remedies set forth in this limited warranty are exclusive and the liability of BATKO with respect to any contract or sale or anything done in connection there with, whether in contract, in tort, under any warranty or otherwise shall not, except as expressly provided here in, exceed the price of the equipment or part on which such liability is based. Any damage caused by improper use, operation beyond capacity, substitution of parts or equipment not approved by BATKO, improper packaging, failure to observe installation or other instructions, transit, or repair by any other than BATKO, will not be covered by and shall void this Limited Warranty.

Ship freight prepaid to :
BATKO
485 François-Gignac,
Portneuf, Qc.
Canada, G0A-2Y0