

ECMU-01-I(-S)
ECMU-02-I(-S)
ECMU-03-I(-S)
ECMU-04-I(-S)

Wind Rated I-beam Tilt Mount for 32" to 65" Outdoor Flat Panel Displays

Designed exclusively for Outdoor TVs, the Peerless Wind Rated I-beam Mount combines versatility, simplicity and stability. It's versatile, with four available pole lengths and incremental tilt settings from 0° to 15° it provides the options to create an ideal viewing experience. It's simple, with its hook-and-hang feature that allows for 8" (203mm) of horizontal adjustment. Finally it provides stability, constructed from heavy gage steel sealed with corrosion resistant E-Coat and stainless steel hardware this mount easily handles snow, rain and salt. Combined with a wind rating up to 90mph, it handles tough weather conditions and complete with theft resistant hardware, it provides security when screens are used in public areas.



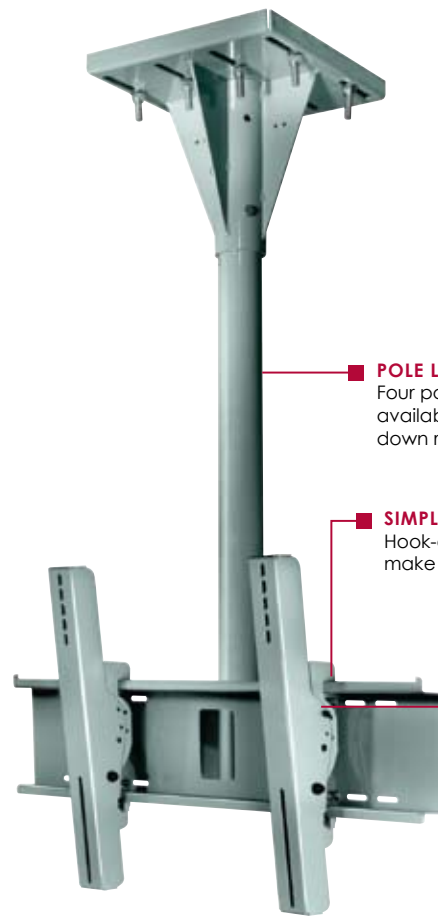
Screen size: 32"-65"



Max load: 200lb (90.7kg)

FEATURES

- Universal mounting pattern – 28.39"W x 17.67"H (721 x 449mm) VESA® up to 600 x 400mm
- Corrosion resistant materials, coatings and hardware
- Wind rated up to 90 mph, elevation 200ft (60m), Category "D"
- Fixed incremental tilt with angle settings at 0°, 2°, 5°, 10° or 15°
- Up to 8" (203mm) of horizontal positioning
- 1' (304mm), 2' (609mm), 3' (914mm) or 4' (1219mm) pole length options
- Hook-and-hang design for simplified installation



POLE LENGTH OPTIONS

Four pole length options available for varied drop down requirements

SIMPLE SET-UP

Hook-and-hang design helps make installation quick and easy

VIEWING ANGLE FLEXIBILITY

Incremental tilt settings enable the best viewing angle



Adjustable tilt can easily be set up to 15° forward and 5° back



CLICK: www.peerlessmounts.com

CALL: 800.865.2112

FAX: 708.865.2941

peerless®

Model Numbers

ECMU-01-I(-S):	1' Wind Rated I-beam Tilt Mount for 32" to 65" Outdoor Flat Panel Displays
ECMU-02-I(-S):	2' Wind Rated I-beam Tilt Mount for 32" to 65" Outdoor Flat Panel Displays
ECMU-03-I(-S):	3' Wind Rated I-beam Tilt Mount for 32" to 65" Outdoor Flat Panel Displays
ECMU-04-I(-S):	4' Wind Rated I-beam Tilt Mount for 32" to 65" Outdoor Flat Panel Displays

Product Specifications

	DIMENSIONS (W x H x D)		PRODUCT WEIGHT	LOAD CAPACITY	FINISH	AVAILABLE COLORS
ECMU-01-I(-S)	19.63" x 30.75" x 15"	(498 x 781 x 381mm)	64lb (29kg)	200lb (90.7kg)	Outdoor powder paint	ECMU-I models: Black ECMU-I-S models: Stone Gray
ECMU-02-I(-S)	31.63" x 30.75" x 15"	(803 x 781 x 381mm)	66lb (30kg)			
ECMU-03-I(-S)	43.63" x 30.75" x 15"	(1108 x 781 x 381mm)	68lb (31kg)			
ECMU-04-I(-S)	55.63" x 30.75" x 15"	(1413 x 781 x 381mm)	70lb (32kg)			

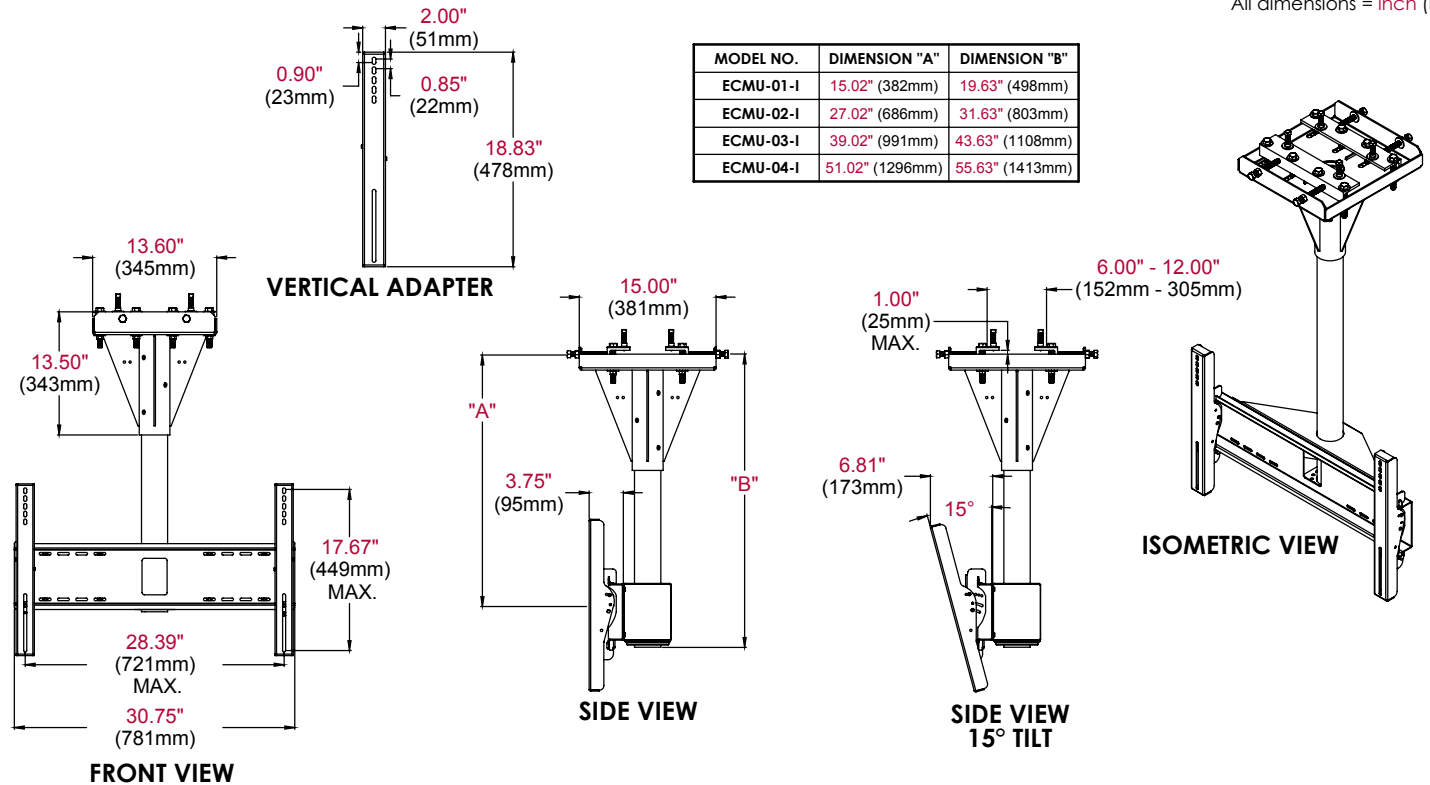
Package Specifications

	PACKAGE SIZE (W x H x D)	PACKAGE SHIP WEIGHT	PACKAGE UPC CODE	PACKAGE CONTENTS	UNITS IN PACKAGE
ECMU-01-I	5"D x 20"L (127 x 508mm)	70.5lb (32kg)	735029272557	Mount, hardware, security fasteners	1
ECMU-01-I-S	5"D x 20"L (127 x 508mm)	70.5lb (32kg)	735029272595		
ECMU-02-I	5"D x 32"L (127 x 812mm)	76.5lb (35kg)	735029272564		
ECMU-02-I-S	5"D x 32"L (127 x 812mm)	76.5lb (35kg)	735029272601		
ECMU-03-I	5"D x 44"L (127 x 1117mm)	81.5lb (37kg)	735029272571		
ECMU-03-I-S	5"D x 44"L (127 x 1117mm)	81.5lb (37kg)	735029272618		
ECMU-04-I	5"D x 56"L (127 x 1422mm)	87lb (39.5kg)	735029272588		
ECMU-04-I-S	5"D x 56"L (127 x 1422mm)	87lb (39.5kg)	735029272625		

NOTE:

Each product is shipped in 4 separate boxes. 3 boxes are the same size while the pole is shipped in various sized tubes.
 Pole tubes are listed above. The 3 same sized boxes are:
 I-beam adapter base - 16" x 16" x 16" (406 x 406 x 406mm)
 Wall plate w/vertical brackets - 34.25" x 10.18" x 3.12" (870 x 258 x 79mm)
 Wall plate pole adapter box - 33.5" x 12.5" x 5.12" (850 x 317 x 130mm)
 Product ships via freight on a dedicated skid.

All dimensions = inch (mm)



ARCHITECTS SPECIFICATIONS

The Peerless Wind Rated Tilt I-beam Ceiling Mount for Outdoor Flat Panel Displays shall be a Peerless model number _____ and located where indicated on the plans. Assembly and installation shall be done according to instructions provided by the manufacturer. Mount is made of heavy gauge cold rolled steel. Mount is finished with a textured black or gloss ASA-70 gray protective paint.