

# Tensioned Large Advantage® Electrol®

Automatic Electric Projection Screen Model



SPECIFICATION DATA

**SUGGESTED SPECIFICATIONS:** \_\_\_\_\_ projection screen(s), \_\_\_\_\_(H) x \_\_\_\_\_(W), electrically operated 120 volt (60 Hz) not more than 2.4 amp. with a quick connect male plug-in connector on the motor. Shall have specially designed motor mounted inside the roller, to be three wire with ground, quick reversal type, oiled for life, with automatic thermal overload cutout, integral gears, capacitor and an electric brake to prevent coasting. To have preset but adjustable limit switches to automatically stop picture surface in the "up" and "down" positions. Junction box shall be internally integrated into the housing making it possible to install the housing and wire to the building's electrical system during construction. The junction box shall contain a quick connect connector that is mounted in the housing for easy plug-in connection to the motorized fabric and roller assembly. The motorized fabric and roller assembly to be installed in the case at the factory or at a later time at the job site. The fabric roller to be of 4½" diameter (5¾" if 270" diagonal, 275" diagonal, or 298" diagonal) metal. Screen to be designed for left or right-hand motor

installation. Screen fabric to be seamless, flame retardant and mildew resistant vinyl with black masking borders standard. Each side of the fabric to have tab guide cable system to maintain even lateral tension and hold surface flat. Custom slat bar with added weight maintains vertical tension on the screen surface. The ends of the slat to be protected by heavy duty plastic caps enclosing a preset adjustable mechanism for screen tensioning. Case to be made of extruded aluminum powder coated white. End caps to be of heavy gauge steel powder coated white. Bottom of case to have a removable access door. Door to be of extruded aluminum powder coated white. Bottom of case to be self-trimming, with a built-in flange around the bottom of the case. To be completed with a three-position control switch and cover plate. Suitable for use in environmental air space in accordance with section 300-22 (c) of the National Electric Code, and sections 2-128, 12-010 (3) and 12-100 of the Canadian Electrical Code, part 1, CSA C22.1. Screen to be listed by Underwriters' Laboratories.



## Video (NTSC 4:3) Format Dimensions

Viewing Area (H x W)		Nominal Diagonal		Overall Length of Case*		Approx. Ship. Wt.	
In.	Cm	In.	Cm	In.	Cm	Lbs.	Kg
126" x 168"	320 x 427	210"	533	199¼"	506	594	269.4
132" x 176"	335 x 447	220"	559	208¾"	529	620	281.2
144" x 192"	366 x 488	240"	610	225¾"	573	672	304.8
162" x 216"	411 x 549	270"	686	251¼"	638	744	337.5

## HDTV (16:9) Format Dimensions

Viewing Area (H x W)		Nominal Diagonal		Overall Length of Case*		Approx. Ship. Wt.	
In.	Cm	In.	Cm	In.	Cm	Lbs.	Kg
108" x 192"	274 x 488	220"	559	220¾"	561	652	295.7
121" x 216"	307 x 549	247"	627	246½"	627	727	329.8
135" x 240"	343 x 610	275"	699	272½"	693	803	364.2
146" x 260"	371 x 660	298"	757	294¼"	747	847	384.2

## Wide (16:10) Format Dimensions

Viewing Area (H x W)		Nominal Diagonal		Overall Length of Case*		Approx. Ship. Wt.	
In.	Cm	In.	Cm	In.	Cm	Lbs.	Kg
110" x 176"	279 x 447	208"	528	205"	521	691	313.4
120" x 192"	305 x 488	226"	574	222¼"	565	729	330.7

## Square Format Dimensions

Viewing Area (H x W)		Overall Length of Case*		Approx. Ship. Wt.	
In.	Cm	In.	Cm	Lbs.	Kg
10'6" x 14'	320 x 427	199¼"	506	594	269.4
14' x 14'	427 x 427	205¾"	523	620	281.2
12' x 16'	366 x 488	225¾"	573	672	304.8

\*Case length does not include flange

**PRODUCT NOTES**

- All surfaces will be seamless.
- All viewing surfaces are standard with black backing except Da-Tex® and Dual Vision.
- All screens standard with 12" black drop at the top except 270" diagonal, which has 2".
- Extra drop may alter case dimensions. Contact Da-Lite for details.
- Overall case length dimensions +/- 1/4".
- Detail dimensional drawings, wiring diagrams and installation instructions available upon request.
- Specifications subject to change without notice.
- Custom formats and sizes available upon request.

**WHEN ORDERING, MARK APPROPRIATE SELECTIONS**

1. Select size from charts on the other side.

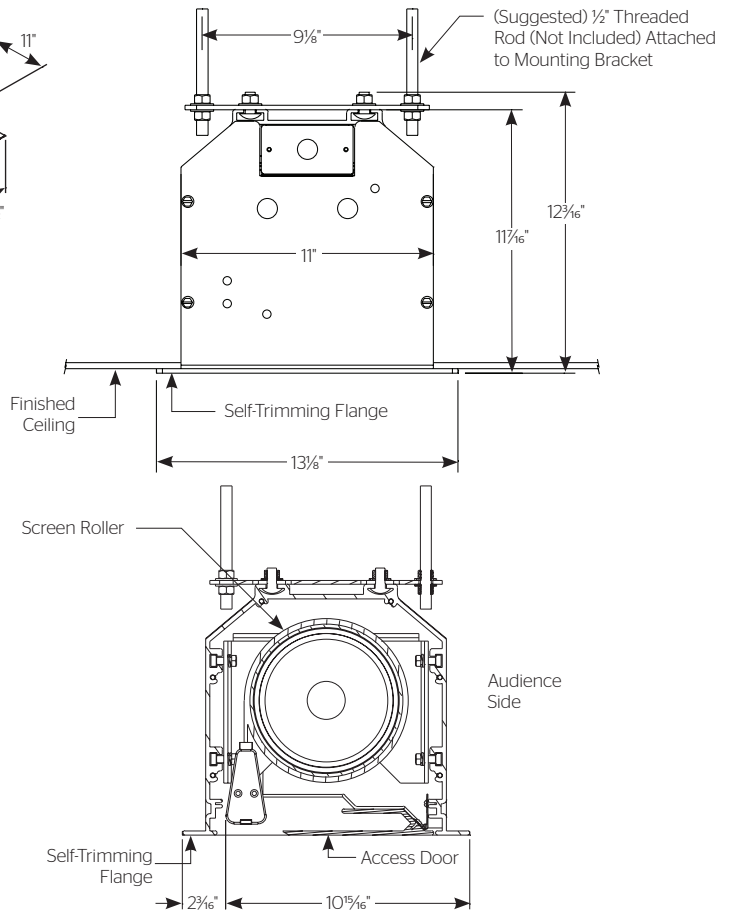
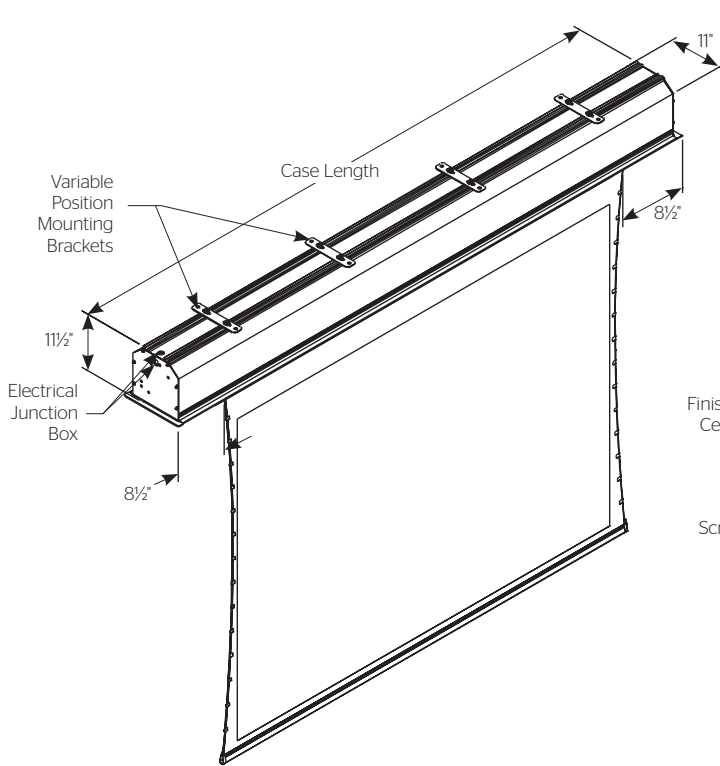
2. Select viewing surface (All Da-Lite surfaces are GREENGUARD GOLD Certified):

- |   |   |
|---|---|
| <input type="radio"/> HD Progressive 0.6    | <input type="radio"/> Dual Vision                 |
| <input type="radio"/> HD Progressive 0.9    | <input type="radio"/> High Contrast Cinema Vision |
| <input type="radio"/> HD Progressive 1.1    | <input type="radio"/> Cinema Vision               |
| <input type="radio"/> HD Progressive 1.3    | <input type="radio"/> Pearlescent                 |
| <input type="radio"/> Da-Mat®               | <input type="radio"/> Da-Tex® (Rear)              |
| <input type="radio"/> High Contrast Da-Mat® |   |

3. Optional accessories:

- |   |   |
|---|---|
| <input type="checkbox"/> Single Motor Low Voltage Control (LVC) - external. | <input type="checkbox"/> Key Operated Switch for 120V only (NOTE: Cannot be used with LVC). |
| <input type="checkbox"/> Single Motor Low Voltage Control (LVC) - built-in. | <input type="checkbox"/> 220 Volt (50 Hz) Motor.  |
| <input type="checkbox"/> Wireless Remote Control for LVC.                   | <input type="checkbox"/> Video Projector Interface Control - external.                      |
| <input type="checkbox"/> Radio Frequency Remote.                            | <input type="checkbox"/> SCB-100 RS-232 Serial Control Board - built in.                    |
| <input type="checkbox"/> Radio Frequency Range Extender available.          | <input type="checkbox"/> NET-100 Ethernet-Serial Adapter                                    |
| <input type="checkbox"/> Infrared Remote.                                   | <input type="checkbox"/> SCB-100 RS-232 Serial Control Board - external.                    |
| <input type="checkbox"/> Key Locking Cover Plate for 120V or LVC Switch.    | <input type="checkbox"/> NET-100 Ethernet-Serial Adapter                                    |

**PRODUCT VIEWS**



A Milestone AV Technologies Brand

3100 North Detroit Street  
 Warsaw, Indiana 46582  
 P: 574.267.8101 or 800.622.3737  
 F: 574.267.7804 or 877.325.4832  
 E: info@da-lite.com  
 www.da-lite.com

DL-0197 11.13

© 2013 Milestone AV Technologies LLC. Printed in U.S.A.

Project Name: _____	
Architect: _____	Phone: _____
Contractor: _____	Phone: _____
Supervisor: _____	Phone: _____
Supplier: _____	Date: _____
Revised: _____	