

Series 200 Lace And Grommet Frame



SPECIFICATION DATA

SUGGESTED SPECIFICATIONS: _____ projection screen(s), _____(H) x _____(W), constructed of 2" diameter aluminum tubing with radius frame corners. Frame sections to be slip fit at corners. Lacing cord to be woven onto frame sections with preinstalled S-hooks for viewing surface attachment. Frame to be powder coated black with optional 6" wide masking cover to conceal lace cord and hooks. Optional masking cover includes Pro-Trim® to enhance appearance and absorb light surrounding the viewing area. Frame can be suspended from ceiling by means of included eyebolts installed on top frame section. Wall mount brackets and eye bolts included for wall or ceiling installation.

PRODUCT NOTES

- The Series 200 lace and grommet frame is designed for use with the following flexible lace and grommet screen surfaces (sold separately).
- All HD Progressive 0.6, HD Progressive 0.9, HD Progressive 1.1, HD Progressive 1.3, Da-Mat®, High Contrast Da-Mat, Pearlescent, Cinema Vision, High Contrast Cinema Vision, Da-Tex, High Contrast Da-Tex®, Dual Vision, Ultra Wide Angle, 3D Virtual Black® and 3D Virtual Grey are seamless up to 16' high.
- HD Progressive 1.1 Perf, Audio Vision, High Contrast Audio Vision and High Contrast Cinema Perf are available in sizes up to 8' high.
- Screen frames with an outside dimension greater than 15'6" will have two-piece top and bottom or side frame sections.
- Maximum frame outside dimension (height or width) is 30' for front projection and 20' for rear projection.
- Maximum screen viewing area (height or width) is 29' for front projection and 19' for rear projection.
- Specifications subject to change without notice.
- Overall frame dimensions +/- ¼".

WHEN ORDERING, MARK APPROPRIATE SELECTIONS:

1. Select viewing surface (All Da-Lite surfaces are GREENGUARD GOLD Certified.):

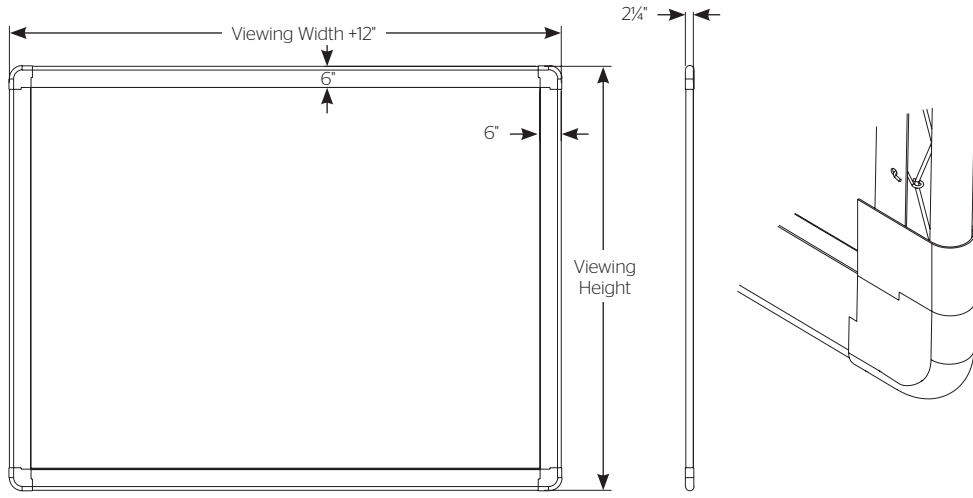
- | | |
|--|---|
| <input type="checkbox"/> HD Progressive 0.6* | <input type="checkbox"/> High Contrast Cinema Vision |
| <input type="checkbox"/> HD Progressive 0.9* | <input type="checkbox"/> High Contrast Cinema Vision Black Backed |
| <input type="checkbox"/> HD Progressive 1.1* | <input type="checkbox"/> High Contrast Cinema Perf Black Backed |
| <input type="checkbox"/> HD Progressive 1.3* | <input type="checkbox"/> HD Progressive 1.1 Perf* |
| <input type="checkbox"/> Da-Mat | <input type="checkbox"/> Audio Vision* |
| <input type="checkbox"/> Da-Mat Black Backed | <input type="checkbox"/> High Contrast Audio Vision* |
| <input type="checkbox"/> Da-Mat Foldable Black Backed | <input type="checkbox"/> Da-Tex (Rear) |
| <input type="checkbox"/> High Contrast Da-Mat | <input type="checkbox"/> High Contrast Da-Tex (Rear) |
| <input type="checkbox"/> High Contrast Da-Mat Black Backed | <input type="checkbox"/> Dual Vision |
| <input type="checkbox"/> Pearlescent | <input type="checkbox"/> Ultra Wide Angle (Rear) |
| <input type="checkbox"/> Pearlescent Black Backed | <input type="checkbox"/> 3D Virtual Black (Rear) |
| <input type="checkbox"/> Cinema Vision | <input type="checkbox"/> *3D Virtual Grey |
| <input type="checkbox"/> Cinema Vision Black Backed | |

* Standard with black backing

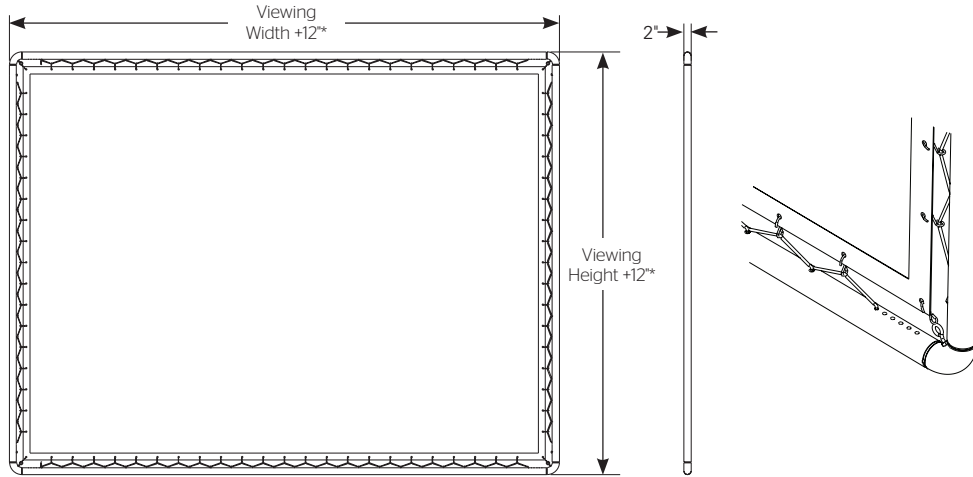
2. Optional accessories:

- | | |
|--|---|
| <input type="checkbox"/> Pro-Trim® Masking Cover: a fabric covering that aesthetically enhances the appearance of the installation. The Pro-Trim® masking cover conceals screen binding and lacing cord. | <input type="checkbox"/> Series 200 Lace and Grommet Frame with Single Axis curve. |
| | <input type="checkbox"/> Series 200 Lace and Grommet Frame with Single Axis Curve and Velour Masking. |

PRODUCT VIEWS



Frame Shown Assembled With Pro-Trim® Masking Cover



*When Using Standard 2" Binding On Screen Surface.

Frame Shown Assembled With Viewing Surface (Sold Separately)



A Milestone AV Technologies Brand

3100 North Detroit Street
 Warsaw, Indiana 46582
 P: 574.267.8101 or 800.622.3737
 F: 574.267.7804 or 877.325.4832
 E: info@da-lite.com
 www.da-lite.com

DL-0236 12.13

© 2013 Milestone AV Technologies LLC. Printed in U.S.A.

Project Name:	_____
Architect:	_____
Contractor:	_____ Phone: _____
Reseller:	_____ Phone: _____