

Cinema Contour®

Wall-Mounted Projection Screen



SPECIFICATION DATA

SUGGESTED SPECIFICATIONS: _____ projection screen(s), _____(H) x _____(W), To have flexible screen surface, fire retardant and mildew resistant. Screen surface standard with reinforced black binding on all four sides and will attach to frame with metal snaps. Frame will conceal snaps and binding. Screen frame will be 3" wide x 1½" deep with a tapered front

edge to reduce shadows on the viewing surface. Frame to be made of aluminum and finished with black Pro-Trim® fabric covering to enhance appearance and absorb light surrounding the viewing area. Frame will be slip-jointed at corners and joints. Standard wall-mounting brackets will be included.

Video (NTSC 4:3) Format Dimensions

Viewing Area (H x W)		Nominal Diagonal		Overall Dimensions		Approx. Ship. Wt.	
In.	Cm	In.	Cm	In.	Cm	Lbs.	Kg
36" x 48"	91 x 122	60"	152	42" x 54"	107 x 137	24	10.9
43" x 57½"	109 x 146	72"	183	49" x 63½"	124 x 161	28	12.7
50½" x 67"	128 x 170	84"	213	56½" x 73"	144 x 185	31	14.1
57½" x 77"	146 x 196	96"	244	63½" x 83"	161 x 211	35	15.9
60" x 80"	152 x 203	100"	254	66" x 86"	168 x 218	37	16.8
72" x 96"	183 x 244	120"	305	78" x 102"	198 x 259	45	20.4
90" x 120"	229 x 305	150"	381	96" x 126"	244 x 320	59	26.8
108" x 144"	274 x 366	180"	457	114" x 150"	290 x 381	74	33.6
120" x 160"	305 x 406	200"	508	126" x 166"	320 x 422	89	40.4
144" x 192"	366 x 488	240"	610	150" x 198"	381 x 503	105	47.6

HDTV (16:9) Format Dimensions

Viewing Area (H x W)		Nominal Diagonal		Overall Dimensions		Approx. Ship. Wt.	
In.	Cm	In.	Cm	In.	Cm	Lbs.	Kg
37½" x 67"	95 x 170	77"	196	43½" x 73"	110 x 185	29	13.2
40½" x 72"	103 x 183	82"	208	46½" x 78"	118 x 198	30	13.6
45" x 80"	114 x 203	92"	234	51" x 86"	130 x 218	34	15.4
49" x 87"	124 x 221	100"	254	55" x 93"	140 x 236	36	17.7
52" x 92"	132 x 234	106"	269	58" x 98"	147 x 249	40	18.1
54" x 96"	137 x 244	110"	279	60" x 102"	152 x 259	41	18.6
58" x 104"	147 x 264	119"	302	64" x 110"	163 x 279	44	20
65" x 116"	165 x 295	133"	338	71" x 122"	180 x 310	49	22.2
78" x 139"	198 x 353	159"	404	84" x 145"	213 x 368	56	25.4
94½" x 168"	240 x 427	193"	490	100½" x 174"	255 x 442	81	36.7
108" x 192"	274 x 488	220"	559	114" x 198"	290 x 503	96	43.5

Wide (16:10) Format Dimensions

Viewing Area (H x W)		Nominal Diagonal		Overall Dimensions		Approx. Ship. Wt.	
In.	Cm	In.	Cm	In.	Cm	Lbs.	Kg
50" x 80"	127 x 203	94"	239	56" x 86"	142 x 218	34	15.4
57½" x 92"	146 x 234	109"	277	63½" x 98"	161 x 249	40	18.1
60" x 96"	152 x 244	113"	287	66" x 102"	168 x 259	41	18.6
65" x 104"	165 x 264	123"	312	71" x 110"	180 x 279	44	20
69" x 110"	175 x 279	130"	330	75" x 116"	191 x 295	47	21.3
72½" x 116"	184 x 295	137"	348	78½" x 122"	199 x 310	49	22.2
87" x 139"	221 x 353	164"	417	93" x 145"	236 x 368	56	25.4
100" x 160"	254 x 406	189"	480	106" x 166"	269 x 422	74	33.6
110" x 176"	249 x 447	208"	528	116" x 182"	295 x 462	80	36.2
120" x 192"	305 x 488	226"	574	126" x 198"	320 x 503	96	43.5

Cinemascope (2.35:1) Format Dimensions

Viewing Area (H x W)		Nominal Diagonal		Overall Dimensions		Approx. Ship. Wt.	
In.	Cm	In.	Cm	In.	Cm	Lbs.	Kg
37½" x 88"	95 x 224	96"	244	43½" x 94"	110 x 239	36	16.3
40½" x 95"	103 x 241	103"	262	46½" x 101"	118 x 257	41	18.6
45" x 106"	114 x 269	115"	292	51" x 112"	130 x 284	44	20
49" x 115"	124 x 292	125"	318	55" x 121"	140 x 307	49	22.2
52" x 122"	132 x 310	133"	338	58" x 128"	147 x 325	51	23.1
54" x 126"	137 x 320	138"	351	60" x 132"	152 x 335	53	24
58" x 136½"	147 x 347	148"	376	64" x 142½"	163 x 362	55	25
65" x 153"	165 x 389	166"	422	71" x 159"	180 x 404	62	28
78" x 183½"	198 x 466	199"	505	84" x 189½"	213 x 481	91	41
81½" x 192"	207 x 488	208"	528	87½" x 198"	222 x 503	96	43.5

PRODUCT NOTES

- Overall dimensions +/- 1/4".
- Custom formats and sizes available upon request.
- Specifications subject to change without notice.

SURFACE INFORMATION

- All HD Progressive 0.6, HD Progressive 0.9, HD Progressive 1.1, Da-Mat®, High Contrast Da-Mat®, Cinema Vision, High Contrast Cinema Vision, Pearlescent, Da-Tex®, Dual Vision, 3D Virtual Black® and 3D Virtual Grey surfaces are seamless up to 16' high.
- Audio Vision, High Contrast Cinema Perf and High Contrast Audio Vision, HD Progressive 1.1 Perf, High Power® and Silver Lite 2.5 surfaces are available in sizes up to 8' high.
- **All viewing surfaces are standard with black backing except Da-Tex®, Dual Vision and 3D Virtual Black®.**

WHEN ORDERING, MARK APPROPRIATE SELECTIONS

1. Select Size from Charts.

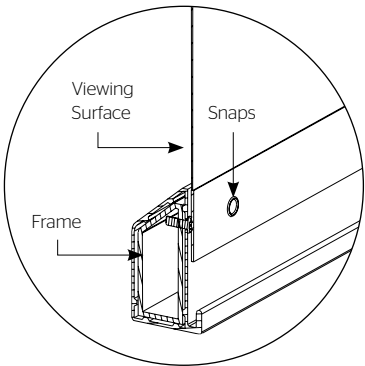
2. Select viewing surface (All Da-Lite surfaces are GREENGUARD GOLD Certified):

- | | |
|--|---|
| <input type="checkbox"/> HD Progressive 0.6 | <input type="checkbox"/> Audio Vision |
| <input type="checkbox"/> HD Progressive 0.9 | <input type="checkbox"/> High Contrast Audio Vision |
| <input type="checkbox"/> HD Progressive 1.1 | <input type="checkbox"/> High Contrast Cinema Perf |
| <input type="checkbox"/> Da-Mat® | <input type="checkbox"/> High Power® |
| <input type="checkbox"/> High Contrast Da-Mat® | <input type="checkbox"/> Silver Lite 2.5 |
| <input type="checkbox"/> Pearlescent | <input type="checkbox"/> 3D Virtual Grey |
| <input type="checkbox"/> Cinema Vision | <input type="checkbox"/> 3D Virtual Black® (Rear) |
| <input type="checkbox"/> High Contrast Cinema Vision | <input type="checkbox"/> Da-Tex® (Rear) |
| <input type="checkbox"/> HD Progressive 1.1 Perf | <input type="checkbox"/> Dual Vision |

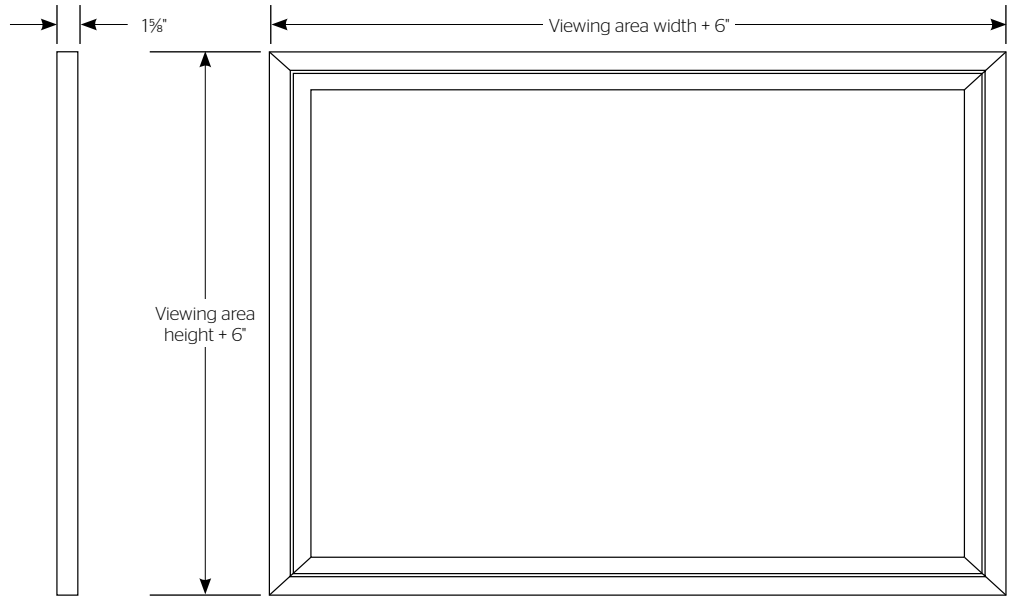
3. Select Optional Accessories:

- | | |
|---|---|
| <input type="checkbox"/> Veneer Frame Finish
(Choose from seven standard veneers). | <input type="checkbox"/> Black Textured Powder Coat Finish
(Pro-Trim® standard). |
| <input type="checkbox"/> Light Oak | <input type="checkbox"/> T-Legs (must be ordered at the same
time as screen). |
| <input type="checkbox"/> Medium Oak | <input type="checkbox"/> Velcro® Attachment (snaps standard). |
| <input type="checkbox"/> Natural Walnut | |
| <input type="checkbox"/> Heritage Walnut | |
| <input type="checkbox"/> Mahogany | |
| <input type="checkbox"/> Cherry | |
| <input type="checkbox"/> Honey Maple | |

PRODUCT VIEW



Viewing Surface & Frame Detail



A Milestone AV Technologies Brand

3100 North Detroit Street
 Warsaw, Indiana 46582
 P: 574.267.8101 or 800.622.3737
 F: 574.267.7804 or 877.325.4832
 E: info@da-lite.com
 www.da-lite.com

DL-0149 (Rev. 1) 11.13

© 2013 Milestone AV Technologies LLC. Printed in U.S.A.

Project Name: _____	
Architect: _____	
Contractor: _____	Phone: _____
Reseller: _____	Phone: _____