

DS-LEDFLAAF-3X3

# Flat Wall Mount

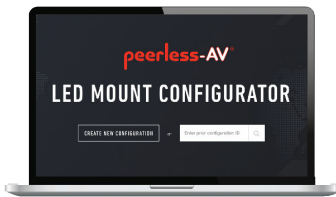
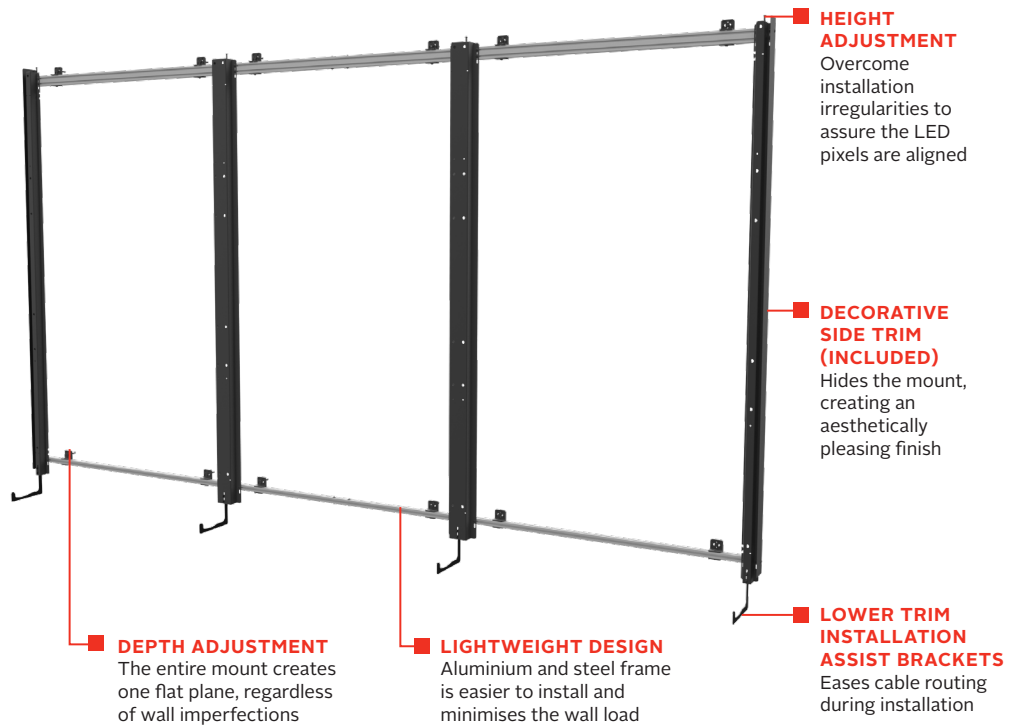
FOR LG 130" ALL-IN-ONE LED SCREEN (LAA015F)



Peerless-AV's Flat Wall Mount is designed exclusively for the LG 130" All-in-one LED Screen (LAA015F), offering a slim, space-saving, and aesthetically appealing design. With a lightweight aluminium/steel frame and a design that focuses on ease of cable management, integrators can quickly and easily mount the large LED display configuration to a wall. Peerless-AV® also offers start to finish support through the SEAMLESS LED Video Wall Integration Program. The Peerless-AV LED Solutions Team is there every step of the way to ensure every customer receives SEAMLESS product support and service.



- Modular display installation lowers cost by reducing the amount of labour required
- Tested by Peerless-AV® to UL2442 standard to provide a trusted level of safety
- Mount depth of only 60mm holds LED display close to the wall for a slim, space saving appearance
- Compatible with LG bezel finishing kit (ACC-LAAMF15) to create a sleek and stylish appearance ideal for any professional application



Visit [Peerless-AV.com/SEAMLESS](http://Peerless-AV.com/SEAMLESS) to get your project started!

**EXPERT TEAM**

**MARKETING SUPPORT**

**CUSTOM CAPABILITY**

**DEDICATED LED SOLUTIONS**

**PRECISION ENGINEERING**

**LIGHTWEIGHT DESIGN**

**INSTALLER FRIENDLY**

**CERTIFIED TRAINING**

DS-LEDFLAAF-3x3 Flat Wall Mount for LG 130" All-in-one LED Screen (LAA015F)

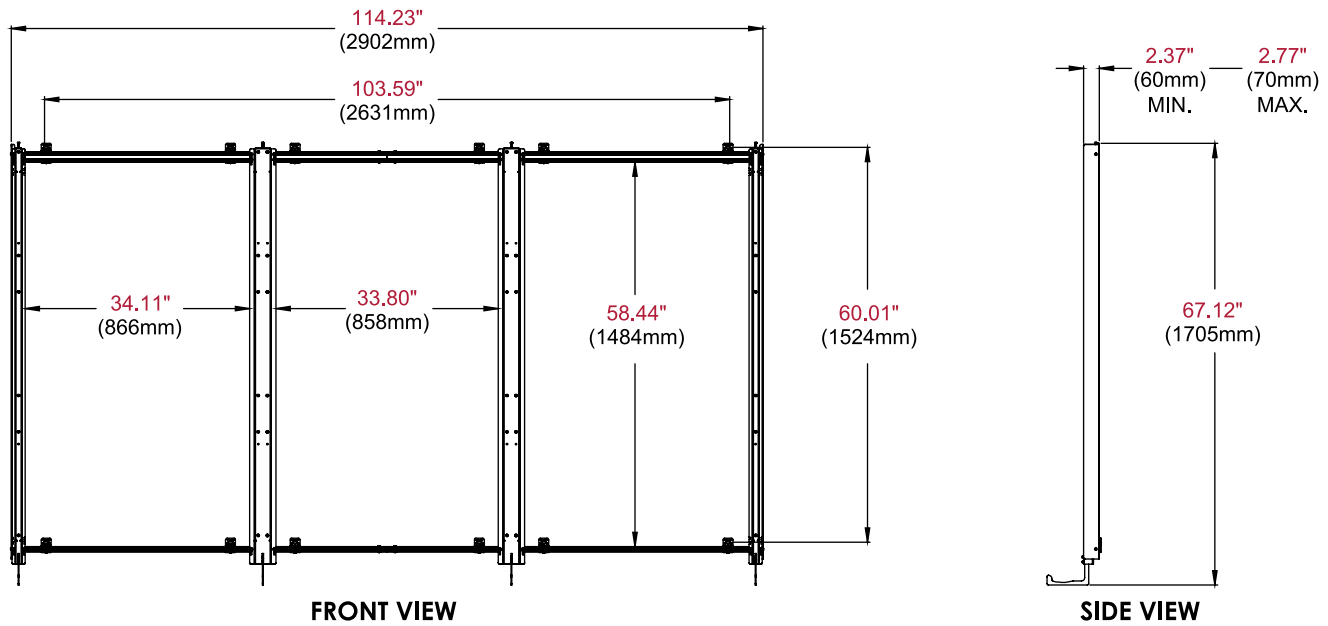
**Product Specifications**

	DIMENSIONS (W x H x D)	PRODUCT WEIGHT	LOAD CAPACITY	FINISH	AVAILABLE COLOURS
DS-LEDFLAAF-3x3	114.23" x 67.12" x 2.37"-2.77" (2902 x 1705 x 60-70mm)	TBD	425lb (193kg)	Powder Coat & Clear Anodised Finish	Black & Silver

**Package Specifications**

	PACKAGE SIZE (W x H x D)	PACKAGE SHIP WEIGHT	PACKAGE UPC CODE	PACKAGE CONTENTS	UNITS IN PACKAGE
DS-LEDFLAAF-3x3	TBD	TBD	735029334415	Wall Plate, Mounting Bracket, Spacer & Hardware	1

All dimensions = **inch** (mm)



**Architect Specifications**

The Flat Wall Mount shall be a Peerless-AV model DS-LEDFLAAF-3x3 and shall be located where indicated on the plans. Assembly and installation shall be done according to instructions provided by the manufacturer.

Visit [peerless-av.com](http://peerless-av.com) to see the complete line of AV solutions from Peerless-AV, including outdoor displays, wireless, kiosks, digital audio, display mounts, projector mounts, carts/stands, and a full assortment of accessories.

**Peerless-AV**  
2300 White Oak Circle  
Aurora, IL 60502 USA  
**(800) 865-2112**  
**(630) 375-5100**  
**Fax: (800) 359-6500**

**Peerless-AV EMEA**  
Unit 3 Watford Interchange  
Colonial Way, Watford  
Herts, WD24 4WP  
United Kingdom  
**+44 (0) 1923 200100**  
**Fax: +44 (0) 1923 200101**

**Peerless-AV Latin America**  
Av. de las Industrias 413  
Parque Industrial Escobedo  
General Escobedo, N.L.,  
México, 66062  
**+52 (81) 8384-8300**  
**Fax: +52 (81) 8384-8360**

