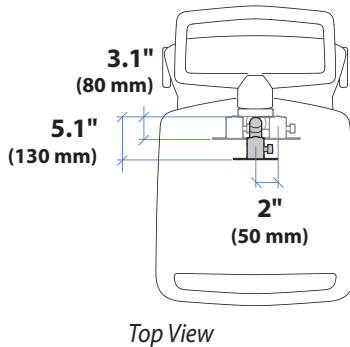
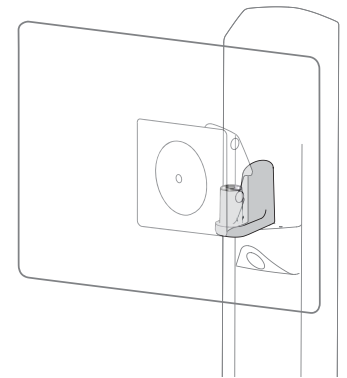
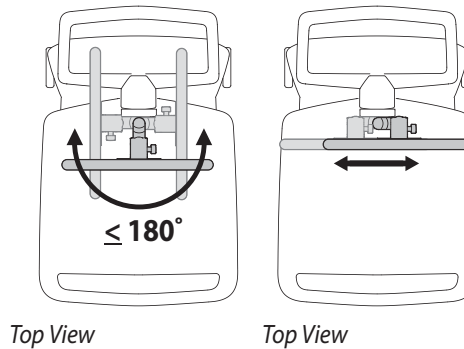


StyleView® LCD Pan Accessory

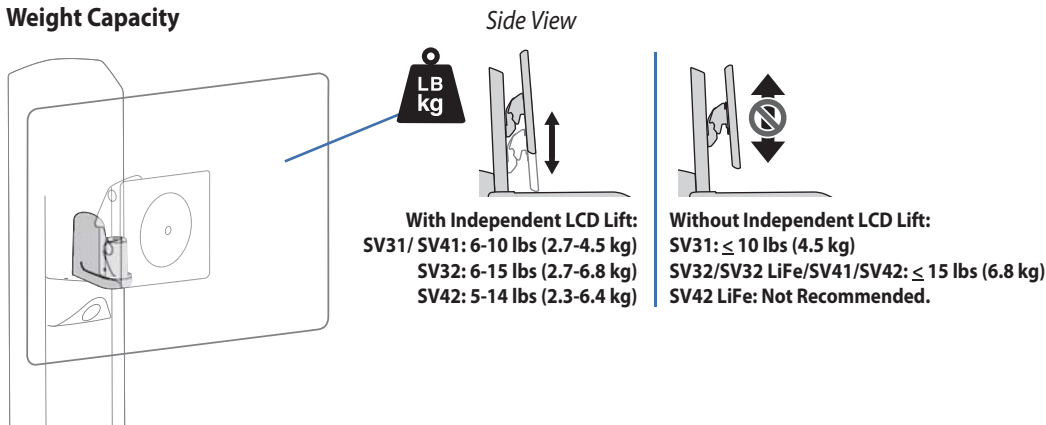
Dimensions



Range of Motion



Weight Capacity



SV32 PHD carts: Only one drawer should be opened at a time.

SV31 Carts:

If the combined LCD and CPU weight is greater than 20 lbs (9 kg) then the CPU must be mounted to the rear of the cart using the Universal CPU Holder accessory (ordered separately).

SV32/SV41 Carts:

If the combined LCD and CPU weight is greater than 23 lbs (10.4 kg) then the CPU must be mounted to the rear of the cart using the Universal CPU Holder accessory (ordered separately).

SV42 Carts:

If the combined LCD and CPU weight is greater than 27 lbs (12.2 kg) then the CPU must be mounted to the rear of the cart using the Universal CPU Holder accessory (ordered separately).