

Model DD-BN31 Wall-Mounted Bi-Directional Mic/Line Dante Interface 4x4

- Interfaces Four Dante Inputs and Four Dante Outputs
- One Mini-jack and Two XLR Front-Panel Inputs
- One Mini-jack Front-Panel Output; Two Outputs on Rear-Panel Terminal Block
- Converts Two Standard XLR Mic or Line Audio Sources to Dante Network Channels
- Each XLR Input is Switch Selectable for Mic or Line
- Studio Quality Low-Noise Microphone Preamplifiers
- Switch-Selectable Mic Gain: 40 dB, 48 dB or 62 dB
- Switch-Selectable 48 V Mic Phantom (P48)
- Switch-Selectable Line Gain: Unity, 12 dB or 19 dB
- Mini-jack -10 dBV Input is Switch Selectable Stereo or Summed to Mono
- Converts Four Dante Network Audio Signals to Line Level
- Mini-jack -10 dBV Output is Switch Selectable Stereo or Mono (Left Channel)
- Rear Panel Outputs Switch Selectable Balanced +4 dBu or Unbalanced -10 dBV
- Special Software Not Required for Module Setup
- Studio Quality, Low-Noise Performance
- High Resolution 24 Bit Analog to Digital and Digital to Analog Conversion
- Legendary RDL Analog Filtering Enhances Superb Audio Performance



APPLICATION: The DD-BN31 is a complete wall-mounted Dante audio network interface. It features two XLR mic or line inputs, one stereo Mini-jack line input and one stereo Mini-jack line output on the front panels, plus two line outputs on a rear-panel detachable terminal block. Special software is not required to configure the DD-BN31. Each XLR input provides three switches that may be set from the front of the unit when the cover plate is not installed. One switch enables or disables P48 phantom for that input; the second switch selects the mic or line gain range; the third switch sets the gain. The Mini-jack input provides a switch to configure the input for stereo or summed mono. The Mini-jack output provides a switch to configure the output for stereo or left-channel mono. Each rear-panel output provides a switch to set the output to balanced professional or unbalanced consumer level. The DD-BN31 fits a standard US dual-gang electrical box or an RDL WB-2 back box for installations in thinner European or equivalent walls. The DD-BN31 is PoE powered, and is available in multiple finishes with optional customized graphics.

The two XLR inputs are each converted to a separate Dante network transmit channel. Three gain settings are switch-selectable for both the mic and line input ranges to match condenser or dynamic mic levels and standard line levels.

The Mini-jack left and right inputs are each converted to a separate Dante network transmit channel. Each input provides a network digital audio level of -20 dBFS for an unbalanced -10 dBV input. The input is equipped with a selector to sum the left and right Mini-jack inputs. The summed signal feeds both Dante transmit channels.

Two Dante audio channels are converted to unbalanced line level to feed the front-panel Mini-jack. Each channel provides -10 dBV unbalanced for a network digital audio level of -20 dBFS. The left and right Mini-jack channels are normally fed from Dante receive channels 3 and 4 (stereo). The Mini-jack output is equipped with a selector to feed both output channels from Dante receive channel 3 (mono). This selector may be set from the front of the unit when the cover plate is not installed.

Two Dante audio channels are converted to balanced line level on the rear-panel detachable terminal block. Each output provides +4 dBu balanced for a network digital audio level of -20 dBFS. Each output is equipped with a selector to unbalance the audio and attenuate the level to -10 dBV. These switches are located on the top of the chassis and are set by the installer prior to mounting the unit.

The rear-panel outputs are intended for connection to RDL AMS connectors mounted in Decora-style plates that match the DD-BN31. AMS audio connectors include RCA, Mini and XLR jacks. The output plate may be located together with the DD-BN31 in a triple gang box or may be mounted remotely in a single box.

Valid PoE power and synchronization to the Dante network are indicated by green LEDs visible from the front of the unit.

The DD-BN31 is a professional grade product with discrete mic preamplifiers for studio quality fidelity and low noise performance, coupled through metal XLR jacks housed in a stainless steel chassis with powder-coated or stainless steel Decora front plates.

The DD-BN31's superior performance specifications make it ideally suited to the most demanding installations, and an exceptional value in commercial networked audio systems. This full-featured product is engineered and manufactured in the U.S.A for continuous duty in demanding installations. Designed to outperform. Built to last.

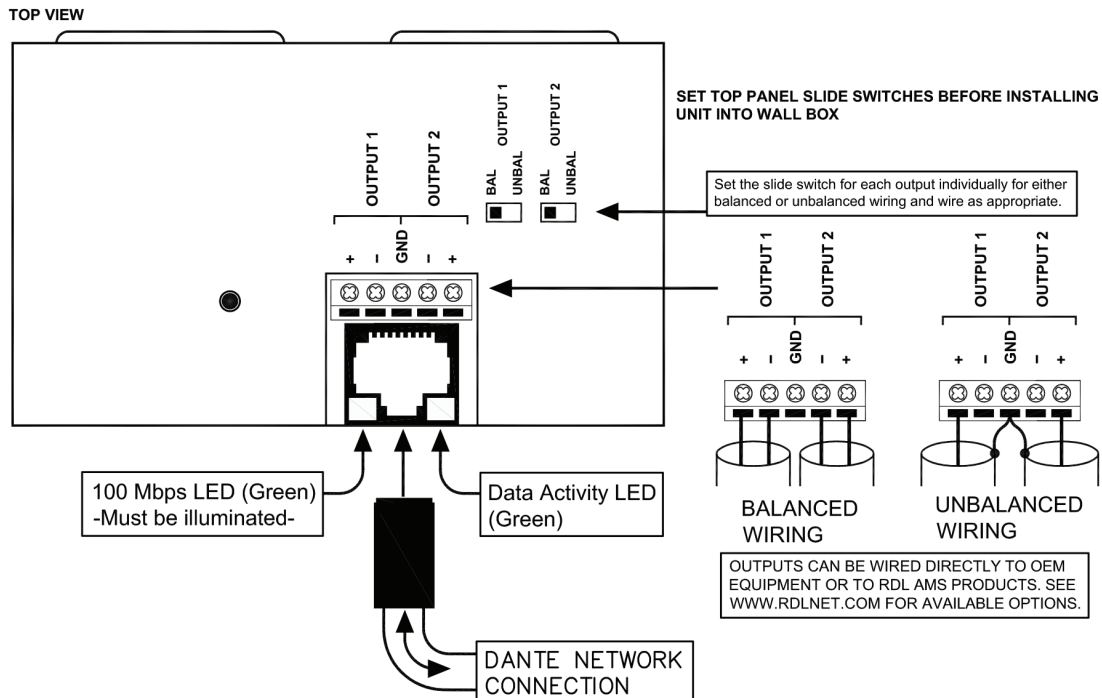
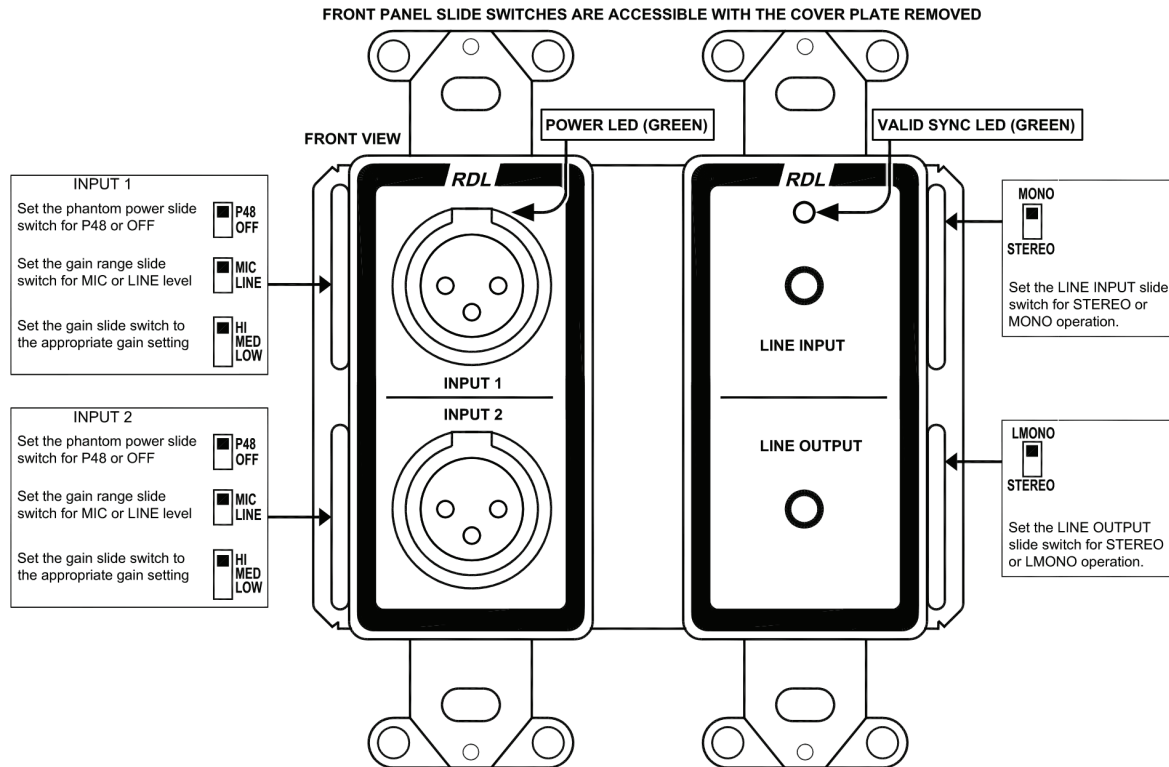
Model DD SERIES-BN31

Wall-Mounted Bi-Directional Mic/Line Dante Interface 4x4

Installation/Operation



EN55032; EN55024; EN55103-2 E1-E4
Typical Performance reflects product at publication time
exclusive of EMC data, if any, supplied with product.
Specifications are subject to change without notice.



Model DD SERIES-BN31 Wall-Mounted Bi-Directional Mic/Line Dante Interface 4x4

This product is not specified to provide basic insulation from network cabling not installed wholly within the same building structure or terminated on equipment earthed to a different earthing network.

TYPICAL PERFORMANCE

| | |
|---|--|
| Network Connector: | RJ45 with Link and Speed indicators |
| Digital Audio Ethernet Protocol: | Dante |
| Transmission Rate: | 100 Mbps |
| Sample Rates Supported: | 44.1 kHz, 48 kHz (default) |
| Bit Depth Supported: | 24 bits |
| Audio Operating Level: | -20 dBFS = +4 dBu |
| Reference Level: | 0 dBFS = +24 dBu |
| <u>Mic/Line Inputs to Network Interface</u> | |
| Inputs (2): | XLR (female) |
| Gain: | Mic: 40 dB (LO), 48 dB (MED), 62 dB (HI); Line: Unity (LO), 8 dB (MED), 19 dB (HI) |
| Input Level (for +4 dBu/-20 dBFS): | Mic: -36 dBu (LO), -44 dBu (MED), -58 dBu (HI); Line: +4 dBu (LO), -8 dBu (MED), -15 dBu (HI) |
| Input Level (maximum): | Mic: -16 dBu (LO), -24 dBu (MED), -38 dBu (HI); Line: +24 dBu (LO), +12 dBu (MED), +5 dBu (HI) |
| Input Impedance: | > 2.5 kΩ (MIC); > 5 kΩ (LINE) |
| Phantom Power: | P48, 48 Vdc, switch-selectable |
| Standard for Phantom: | IEC 61938: 2013 |
| Selectors per input (3): | Phantom, Mic/Line, Gain |
| Frequency Response: | 20 Hz to 20 kHz (± 0.5 dB) |
| Equivalent Input Noise: | -130 dBu (62 dB gain); -132 dBu A-Weighted |
| Noise below -20 dBFS (20 to 20 kHz): | Mic: < -72 dB (LO), < -72 dB (MED), < -68 dB (HI); Line: < -72 dB (LO), < -72 dB (MED), < -70 dB (HI) |
| THD +N: | < 0.1% (20 Hz to 20 kHz, +4 dBu/-20 dBFS); 0.015% at 1 kHz (typ) |
| CMRR: | > 65 dB (50 Hz to 120 Hz) |
| Crosstalk: | Below Noise Floor (20 Hz to 20 kHz at operating level, any input to any input, max. mic gain) |
| Headroom: | 20 dB |
| <u>Line Inputs to Network Interface</u> | |
| Inputs (2): | Mini-jack Stereo (2, L and R) |
| Input Level (for +4 dBu/-20 dBFS): | -10 dBV nominal |
| Input Level (maximum): | +10 dBV |

| | |
|--------------------------------------|--|
| Input Impedance: | > 50 kΩ |
| Selectors: | Stereo (L and R)/Mono (summed) |
| Frequency Response: | 20 Hz to 20 kHz (± 0.2 dB) |
| Noise below -20 dBFS (20 to 20 kHz): | < -85 dB |
| Crosstalk: | < -85 dB (1 kHz); < -65 dB (L into R, R into L, 20 Hz to 20 kHz) |
| THD +N: | < 0.05% (20 Hz to 20 kHz, +4 dBu/-20 dBFS); 0.01% at 1 kHz (typ) |
| Headroom: | 20 dB |
| <u>Network to Line Outputs</u> | |
| Outputs (4): | Balanced, detachable terminal block (2); Unbalanced, Mini-jack (2, L and R) |
| Output Level (operating): | +4 dBu (nominal) balanced; -10 dBV unbalanced |
| Output Level (maximum): | +24 dBu balanced; +10 dBV unbalanced |
| Output Impedance: | 150 Ω balanced; 500 Ω unbalanced |
| Frequency Response: | 20 Hz to 20 kHz (± 0.5 dB) |
| THD +N: | < 0.1% |
| THD: | < .01% (1 kHz) |
| Noise: | < -78 dB (bal., below +4 dBu); < -98 dB (bal., below +24 dBu); < -75 dB (unbal., below -10 dBV) |
| Crosstalk: | Below Noise Floor (1 kHz); < -60 dB (bal., 20 Hz to 20 kHz); < -80 dB (unbal., 1 kHz); < -70 dB (unbal., 20 Hz to 20 kHz) |
| Headroom above +4 dBu or -10 dBV: | 20 dB |
| Indicators (4): | Ethernet Link and Speed (2, rear panel); Sync and Power (2, front panel) |
| Ambient Operating Environment: | 0° C to 40° C; 30° C maximum recommended |
| Power Requirement: | PoE Class 0, IEEE 802.3af |
| Specification Conditions: | Gain/Level: ± 1 dB; Source termination: 150 Ω; A to D values measured in digital domain |
| Dimensions: | 3.52" (8.94 cm) W; 4.11" (10.44 cm) H; 2.09" (5.31 cm) D |
| Mounting: | Wall mount in North American dual electrical box (4 square deep recommended) or RDL WB-2U (international wall box) at elevation ≤ 2 m. |

Equivalent Gain Settings for Dante Products

Digital signal levels in a Dante network are measured in dBFS (dB referenced to the maximum output or clipping level). The nominal standard reference level used in professional audio products is: 0 dBFS = +24 dBu. A normal operating level of +4 dBu results from a digital level of -20 dBFS.

Some OEM industry products do not specify their reference and use a non-standard reference, such as 0 dBFS = +2 dBu. Gain definitions for such products do not equate to standard levels. An operating level of -18 dBu results from a digital level of -20 dBFS. For these OEM products, 22 dB must be added to the specified levels (gain, noise floor, etc.) to normalize their specs to be equivalent to those of professional audio products.

The following table helps designers specify functionally equivalent gain settings between products using the two references described above. Installers can use this table to determine the correct switch settings on an RDL Decora module if system specifications are provided for the non-standard dBFS/dBu reference.

| Non-Standard Reference Products (OEM) | | RDL Dante Decora Products | | |
|---------------------------------------|----------------|-----------------------------|-----------------|-------------|
| Reference: 0 dBFS = +2 dBu | | Reference: 0 dBFS = +24 dBu | | |
| Gain Setting | ← Equivalent → | Gain Setting | Mic/Line Switch | Gain Switch |
| -18 dB | | Unity* | LINE | LO |
| --- | | 8 dB | LINE | MED |
| -3 dB | | 19 dB | LINE | HI |
| --- | | 40 dB | MIC | LO |
| 25 dB | | 48 dB | MIC | MED |
| 40 dB | | 62 dB | MIC | HI |

*Unity gain on RDL products is 4 dB less than corresponding "OEM" gain in order to provide full headroom for +4 dBu balanced inputs.

In the table, microphone gain set to "40 dB" on the OEM product will produce the same digital audio level as microphone gain set to "62 dB" on the RDL product and on all industry products using the standard reference 0 dBFS = +24 dBu (-20 dBFS = +4 dBu).

The table is based on the "dBFS to dBu" references shown. OEM products may use a different reference, requiring a value other than 22 dBu to be added to their gain, noise and other level specifications for performance comparison to professional audio products. Levels given are nominal, ± 1 dB.

Radio Design Labs Technical Support Centers

U.S.A. (800) 933-1780, (928) 778-3554; Fax: (928) 778-3506

Europe [NH Amsterdam] (+31) 20-6238 983; Fax: (+31) 20-6225-287