

Models: DC802 series (grille); SE1275 (surface backbox); RE1175 (recessed backbox)

Comm Center for Digital Clock/Speaker (order components separately)

Description:

The communications center provides a simple solution for installing an 8" paging speaker and digital clock in a single unit. It's ideal for classrooms, sports facilities, medical offices, and professional buildings. The compact, dual-function design provides a small architectural footprint, thus reducing fixture and labor costs. To create the communications center, order the grille, backbox and mounted components separately.

Order Separately:

- **Grille DC802 Series:** feature a cutout and welded mounting studs to install a digital clock and a standard 8" speaker. The 12.688" square grille is formed from a single piece of 18-ga. steel and has a white powder epoxy finish. Includes white screws. See chart below for model numbers.
- **Backbox:**
 - **Surface-mount backbox Model SE1275:** formed from 20-gauge steel, measures 12.75"SQ x 4"D. The rear features a universal hole pattern for installation to a 4" square, 4" octagon, 2-gang, or 1-gang E.O. box. The rear also includes a 3/8" hole with grommet for wire access. Additionally, a fire-retardant foam pad is applied on the inside (top rear) to help absorb speaker resonance. White powder epoxy finish.
 - **Recessed backbox Model RE1175:** formed from 20-ga. steel, measures 11.75"SQ x 4"D. Compound knockouts for 1/2" - 3/4" conduit on four sides. Top and bottom sides feature 2"L x 3/16"H slots for horizontal positioning adjustment in the wall. Left and right sides feature 1-1/4"L x 3/16"H slots for depth adjustment in the wall. The backbox includes a fire-retardant foam pad to help absorb speaker resonance. Black powder epoxy finish.
- **Speaker:** typical speakers used in this format include no. 805 (8"/12W dual cone), no. 810 (8"/15W dual cone), and no. CT830 (8"/20W coaxial). Additional information is available on individual speaker spec sheets.
- **Digital Clock:** order from clock manufacturer.



The DC802 series grille is made to use with a standard 8" speaker and digital clock.

Order all components separately.

Recessed backbox no. RE1175 (order separately).



Surface-mount backbox no. SE1275 (order separately).

A&E Specifications:

The grille for the digital clock/speaker center shall be Lowell Model _____. It shall be formed from 18-gauge steel, measure 12.688" square, and be finished in white powder epoxy. It shall feature a square perforated area with welded studs for mounting an 8" speaker (ordered separately) and a cutout for mounting a digital clock (by others). The backbox shall be Lowell Model _____.

Grille Model No.	Description	Dimensions	Finish	Mounts Speaker (Order separately)*	Mounts Backbox (Order separately)	Mounts Digital Clock (Order from others)
DC802-DD3	Grille for 8" spkr & digital clock	12.688" sq.	White	8"	SE1275 or RE1175	Dukane #24D20A, 24D20
DC802-DF	Grille for 8" spkr & digital clock	12.688" sq.	White	8"	SE1275 or RE1175	Faraday #2363-24 Sapling #SBD-100-254-V Sapling #SBD-200-254-V
DC802-DR2	Grille for 8" spkr & digital clock	12.688" sq.	White	8"	SE1275 or RE1175	Rauland #2520
DC802-SAP1	Grille for 8" spkr & digital clock	12.688" sq.	White	8"	SE1275 or RE1175	Sapling #SBD-103-254-V Sapling #SBD-203-254-V

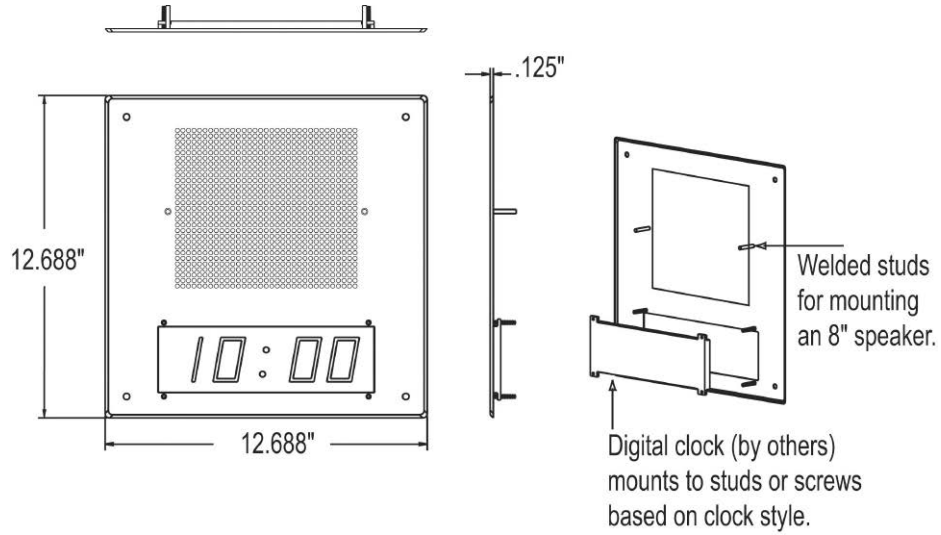
*Lowell offers a wide selection of 8" speaker drivers including dual cone 10oz Series 810 and dual cone 5oz Series 805 with factory wired 70V or 25V transformers.

ORDER BACKBOX SEPARATELY—

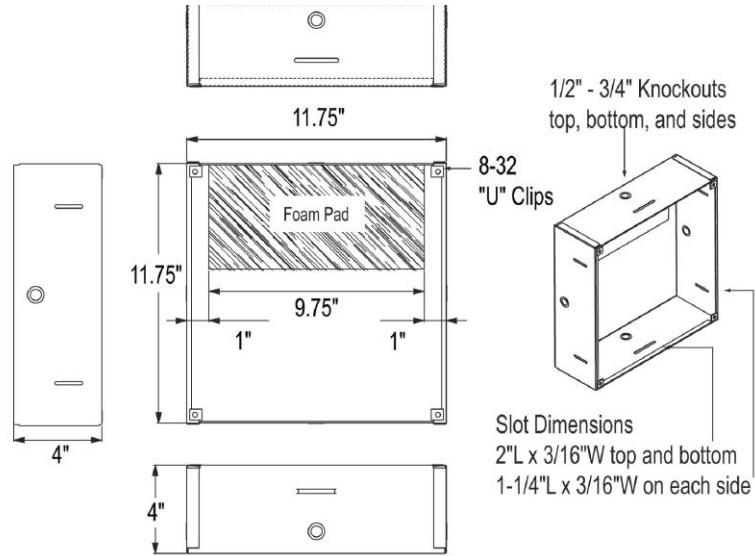
Backbox Model No.	Style	Dimensions	Wire Access	Finish	Mounts Grille
SE1275**	Surface	12.75" sq. x 4"D	3/8" hole with grommet	White	DC802 Series
RE1175**	Recessed	11.75" sq. x 4"D	1/2-3/4" knockouts	Black	DC802 Series

**These are open (non-divided) backboxes. If a 110V clock is used, the installer will need to isolate the clock to meet local code.

Grille series DC802



Recessed backbox
no. RE1175.



Surface-mount backbox
no. SE1275.

