

# CSS-H15

15 Watt Paging Horn

## Professional Series

### Key Features

- ▶ Excellent voice range clarity for announcement and paging.
- ▶ High sensitivity delivers high sound levels with minimal power amplification.
- ▶ Wide 70° horizontal by 90° vertical coverage for medium throw applications.
- ▶ Phenolic diaphragm driver for outdoor durability and high reliability.
- ▶ UL-registered 15-watt multi-tap transformer, with 8 ohm direct bypass.
- ▶ Built-in high-pass filter enhances reliability by protecting against low frequency damage.
- ▶ Highly weather-resistant, with stainless steel bracket and hardware.

### Application

The Commercial Solutions Series CSS-H15 Paging Horn provides excellent voice range clarity for public address systems, announcement/paging, intercom, security, alarm and industrial applications. Designed for demanding environmental conditions, the CSS-H15 is highly weather resistant (IP-65 rated) so it can be used in either indoor or outdoor applications. The wide coverage pattern allows the horn to cover a larger audience area than is the case with many paging horns.

Typical applications for this product are public access areas, warehouses, factories, schools, recreational facilities, commercial buildings, distribution centers, civic centers, and other commercial sound and protective-signaling systems.

The CSS-H15 includes a UL-registered 15-watt multi-tap transformer for use with 70V or 100V distributed speaker lines. The power tap switch is screwdriver adjustable for easily changing settings from 15W, 7.5W, 3.8W, 1.9W (and 0.9W at 70V only). For non-distributed systems there is an 8 ohm bypass position. Connection is via bare wire on a built-in jacketed cable with water-tight entrance to the speaker.

The transducer diaphragm is sturdy phenolic material to enhance durability, especially in outdoor applications, and to resist deformation under stressful temperature conditions. To further increase reliability, a 350 Hz high-pass filter is built-in to protect the paging horn against damage from frequencies below the operational frequency band. The horn is constructed from sturdy ABS plastic and exterior hardware is corrosion-resistant stainless steel. A stainless steel mounting bracket is included.



### Specifications:

<b>System:</b>	
Frequency Response (-10 dB) <sup>1</sup> :	400 Hz – 7.5 kHz
Coverage Pattern:	70° horizontal by 90° vertical (at 2 kHz and averaged 1 kHz – 4 kHz)
Included High-Pass Filter:	Passive 350 Hz high-pass filter built-in to protect against damage from frequencies below operational range.
Directivity Factor (Q):	10.9 (2 kHz)
Directivity Index (DI):	10.4 (2 kHz)
System Power Rating <sup>2</sup> :	15 W (60 W peak), 100 hrs
Sensitivity (1W, 2.83V@ 1m):	105 dB, ave. 1 kHz – 6 kHz; 111 dB at 2 kHz
Maximum SPL (1m) <sup>3</sup> :	117 dB cont ave. (123 dB peak), 1 kHz – 6 kHz; 123 dB cont ave. (129 dB peak), 2 kHz, 15W input, 8 ohm setting
Nominal Impedance :	15W/70V, NC/100V tap: 333 ohms 7.5W/70V, 15W/100V tap: 667 ohms 3.8W/70V, 7.5W/100V tap: 1333 ohms 1.9W/70V, 3.8W/100V tap: 2666 ohms 0.9W/100V, 1.9W/100V tap: 5332 ohms 8 ohms at 8 ohm direct setting
Transformer Taps:	70V: 15W, 7.5W, 3.8W, 1.9W, 0.9W 100V: 15W, 7.5W, 3.8W, 1.9W
<b>Transducers:</b>	
Full-Range Driver:	33 mm (1.3 in) diameter with phenolic diaphragm
<b>Physical:</b>	
Horn Material:	ABS
Mounting Hardware:	Stainless steel powder-coated U-bracket (yolk) with 3 x 8.8 mm (0.34 in) dia mounting holes, stainless steel exterior hardware.
Color:	RAL9016 (horn and bracket)
Input Connection:	300 mm (12 in) pigtail to bare wire; entrance via water-tight fitting. Wire colors: red = positive (+); black = negative (-).
Environmental:	IP-65 rating per IEC529, salt spray per B117, stainless steel U-bracket and exterior hardware.
Safety Agency:	Transformer UL Registered per UL1876 "Isolating Signal and Feedback Transformers for Use in Electronic Equipment"
Dimensions (H x W x D):	163 x 222 x 232 mm (6.5 x 8.8 x 9.2 in) horn 181 x 222 x 232 mm (7.1 x 8.8 x 9.2 in) including mounting bracket. Depth excludes cable exit.
Weight (ea):	3.0 lb/1.36 kg
Shipping Weight (ea):	3.7 lb/1.68 kg
Included Accessories:	Stainless steel mounting bracket

<sup>1</sup>Based on average 1 kHz – 6 kHz sensitivity

<sup>2</sup>AES standard, one decade pink noise with 6 dB crest factor within device's operational band, free air, 100 hr continuous.

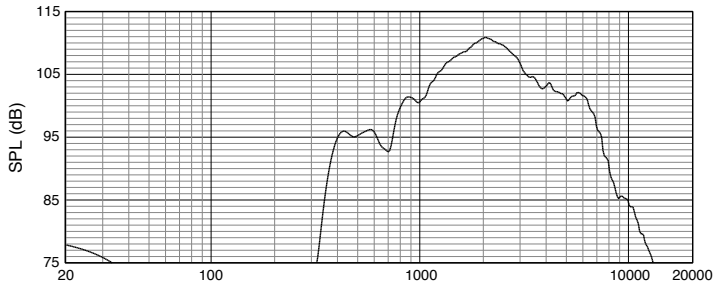
<sup>3</sup>Calculated, based on power rating and measured sensitivity, exclusive of power compression.

JBL continually engages in research related to product improvement. Some materials, production methods and design refinements are introduced into existing products without notice as a routine expression of that philosophy. For this reason, any current JBL product may differ in some respect from its published description, but will always equal or exceed the original design specifications unless otherwise stated.

# ▶ CSS-H15 15 Watt Paging Horn

## Frequency Response:

1W (2.83V) input, 8 ohm setting, full-space (4π)



## Tap Selection:

**JBL** Professional  
Northridge, CA, USA

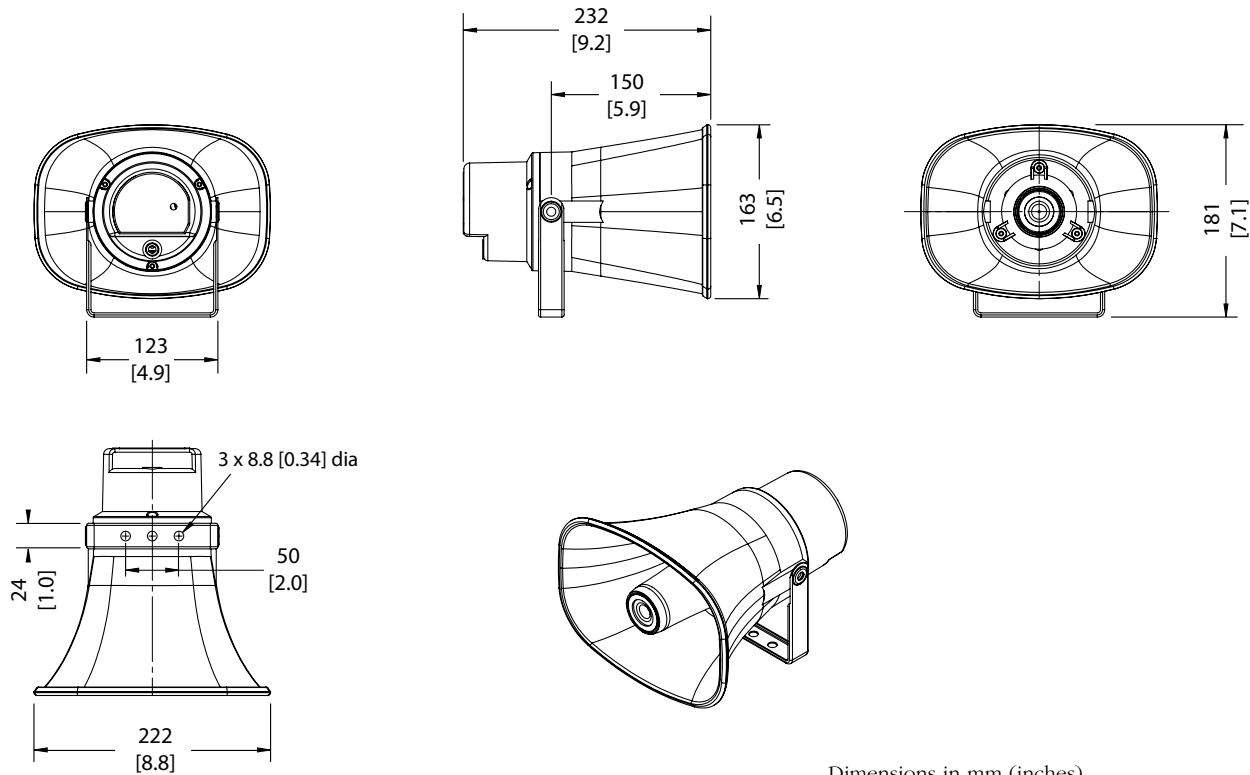
**CSS-H15** Paging Horn

Do not use in 8Ω position on a 70.7V or 100V line. damage may occur.

15W	N.C.	8Ω
7.5W	15W	
3.8W	7.5W	
1.9W	3.8W	
0.9W	1.9W	
70.7V	100V	

Made by JBL in China

## Dimensions:



**JBL**  
PROFESSIONAL  
by HARMAN  
JBL Professional  
8500 Balboa Boulevard, P.O. Box 2200  
Northridge, California 91329 U.S.A.  
© Copyright 2014 JBL Professional  
[www.jblpro.com](http://www.jblpro.com)