



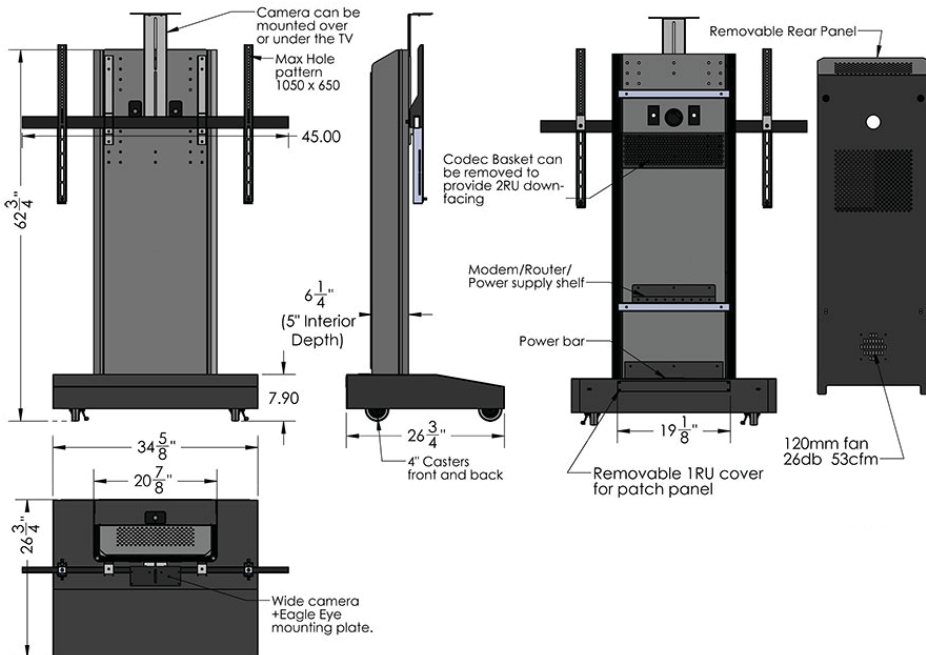
The **TP1000-XL** mobile telepresence stand for extra large monitors provides a clean modern look for a wide range of video conferencing and flat panel display applications. It features a self supporting frame with built in shelves engineered for all common video conference codecs and accessories. It also includes 4" casters for positioning after setup.

Standard Features

- Accommodates 50" - 90" displays (160 lbs max)
- Made with furniture grade laminates. Standard color is black)
- Adjustable TV bracket height during setup
- Adjustable camera mount for mounting above or below TV
- Wiring channel inside main pillar
- Includes 3U mounted codec basket, 1U rear jack panel, electronics shelf and a 6 outlet power bar with 10 ft. cord mounted inside
- Base is weighted
- Quiet cooling fan
- 4" heavy duty casters (2 locking)

Options

- PB Six outlet power bar with 10 ft. cord
- SBB Sound bar bracket
- PM2-ARM Side mounting camera bracket
- CBB-TV Under TV camera bracket (26" - 80" TV's)
- BKT-ST60 Cisco SpeakerTrack60 Camera bracket
- BKT-C20 C20 Codec bracket
- BKT-SX20 SX20 Codec bracket
- SH-TP-B 3/4" Black thermal wrap finish front shelf
- RR3 Additional 3U rack rails



Specifications

Model: TP1000-XL
Width: 45"+
Depth: 26 3/4"
Height: 62 3/4"

Finish*



* Standard finish is black but other finishes are available with a longer lead time. Please check website.

The information contained in this drawing is the sole property of Audio Visual Furniture International. Any reproduction in part or as a whole without the written permission of Audio Visual Furniture International is prohibited. We can build or modify stock configurations to suit customer specifications. Please contact us to discuss how this service can help meet your needs. Some quantity restrictions may apply. Specification subject to change without notice. Computers, cameras, monitors, etc. are shown to illustrate product usage and are not included unless otherwise noted.