

Articulating Monitor Arm - Grommet / Desk Mount with Gas-Spring Height Adjust & Cable Management

StarTech ID: ARMPIVOTE



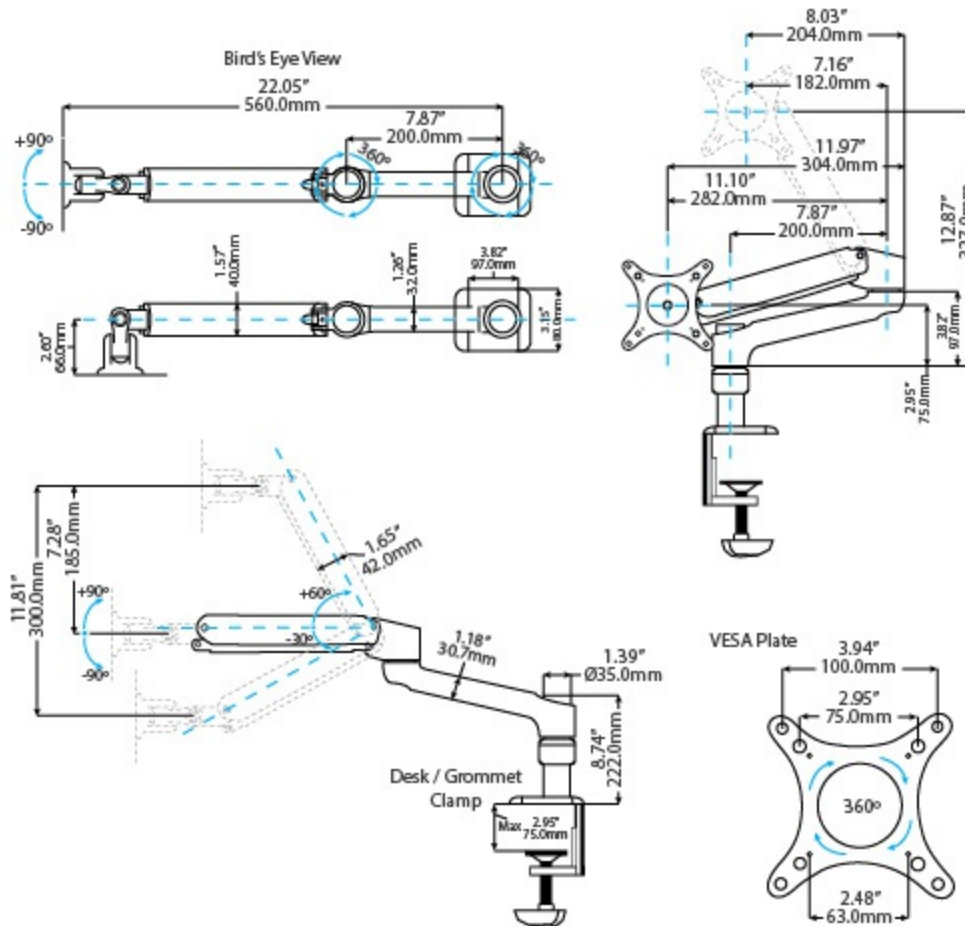
The ARMPIVOTE Articulating Monitor Arm lets you mount a display to your desk or table, with extension, tilt, pan, swivel, pivot and gas-spring height adjustments.

The desk-mount monitor arm features a gas-spring cylinder to raise or lower your display with minimal effort, plus it offers a wide range of motion on several axes. For viewing longer pages or blocks of code without scrolling, the LCD arm also supports landscape to portrait display rotation.

Mounting your displays on a monitor arm above the desk surface enables you to adjust your display height, position and viewing angles easily for an ergonomic work environment, with the added benefit of reclaiming valuable workspace on your desk.

Supporting 12 - 24" displays up to a maximum weight capacity of 11lbs (5kg), the monitor mounting arm holds your display with ease, and integrates a cable management channel to keep things neat. For added installation flexibility, the included mounting hardware can either clamp to the side of your desk / table or mount through a grommet hole, for a versatile monitor mounting solution.

Product Diagram:



Backed by a StarTech.com 2-year warranty and free, lifetime technical support.

Applications

- Mount a display to the side of your desk or table with a wide range of adjustment capability
- Grommet mount your display through a desk or above a server cabinet and position as needed
- Lift your display higher above your desk surface for ideal viewing angles
- Rotate displays to portrait orientation for web design and coding

Features

- Articulating monitor arm with a wide range of motion
- Gas-spring height adjustment cylinder
- Supports displays from 12 to 24" (11lbs / 5kg capacity)
- 360° rotation around the support post and at the elbow
- +/-90° Tilt and +/-90° Pan
- Maximum arm extension of 22.05in (560mm)
- Landscape to portrait screen rotation
- Includes convertible desk / grommet-mount clamp
- Clamp fits desks up to 2.95in (75mm) thick
- Integrated cable management

Technical Specifications

| | |
|----------------------------|---|
| Warranty | 2 Years |
| Mounting Options | Desk / Grommet Clamp |
| Wallmountable | No |
| VESA Hole Pattern(s) | 75x75 mm |
| VESA Hole Pattern(s) | 100x100 mm |
| Weight Capacity | 11 lb [5 kg] |
| Maximum Display Size | 24in |
| Height Adjustment | Yes |
| Maximum Arm Extension | 22 in [560 mm] |
| Tilt | +/- 90° |
| Pan | +/- 90° |
| Swivel / Pivot | 360° around the support post 360° at the elbow |
| Display Rotation | 360° |
| Mounting Surface Thickness | 0.39 - 2.95in (10 - 75mm) |
| Color | Black |
| Enclosure Type | Steel and Plastic |
| Product Weight | 5.1 lb [2.3 kg] |
| Shipping (Package) Weight | 6.1 lb [2.8 kg] |
| Included in Package | 1 - Gas Spring Arm |
| Included in Package | 1 - Extension Arm |
| Included in Package | 1 - Support Pole |
| Included in Package | 1 - Clamp |
| Included in Package | 1 - Cover and Bolt |
| Included in Package | 5 - Cable Covers |
| Included in Package | 4 - Spacers |
| Included in Package | 4 - M4x12mm Screws |
| Included in Package | 4 - M4x25mm Screws |
| Included in Package | 1 - Cable Clip |
| Included in Package | 2 - Plastic Gasket Cushions |
| Included in Package | 1 - 4mm Allen Wrench |
| Included in Package | 1 - 6mm Allen Wrench |
| Included in Package | 1 - Instruction Manual |

Certifications, Reports and Compatibility

