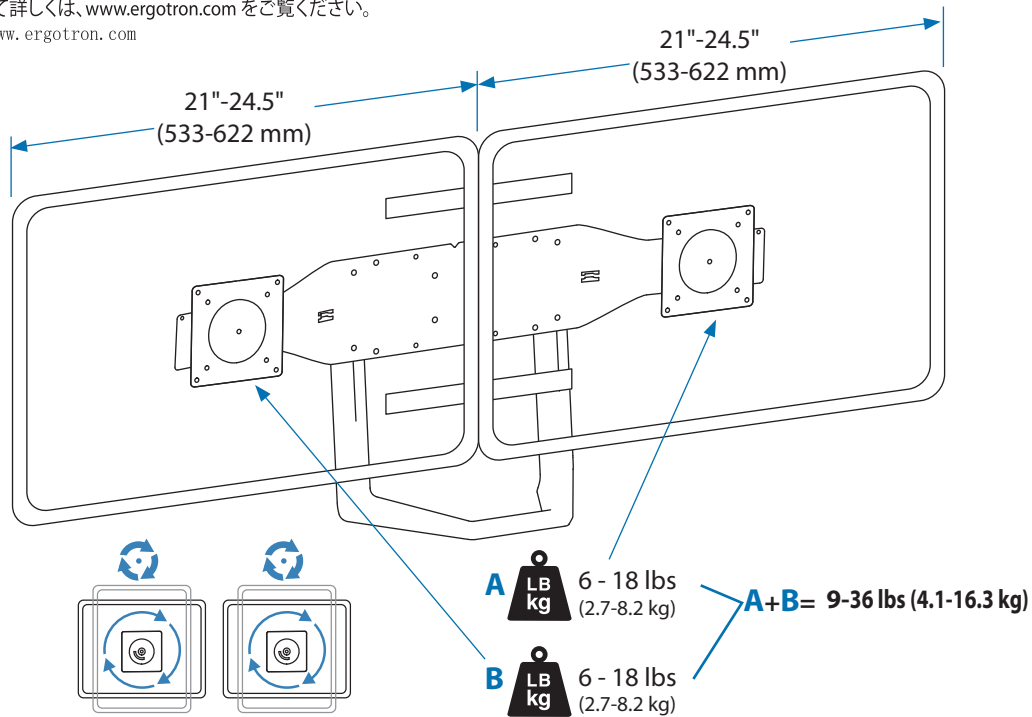


www.ergotron.com
 USA 1-800-888-8458
 Europe +31 (0)33-45 45 600
 China 86-769-86018920

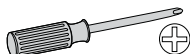
For service and warranty visit www.ergotron.com
 Si desea información de servicio y garantía, visite www.ergotron.com
 Pour toute question concernant la garantie ou le service client, consultez www.ergotron.com
 Weitere Informationen zu Service und Gewährleistung erhalten Sie unter www.ergotron.com
 Ga voor service en garantie naar www.ergotron.com
 Per assistenza e la garanzia visitare www.ergotron.com
 Gå in på www.ergotron.com för service och garanti
 サービスおよび保証については、www.ergotron.com をご覧ください。
 有关服务和保修，请访问 www.ergotron.com



IMPORTANT! This product adds an additional 6 lbs (2.7 kg) to your mounting solution. Your mounting solution's monitor weight capacity must be reduced by 6 lbs (2.7 kg) when using standard monitors less than or equal to 2.5" (64 mm) thick. Additional reduction will be required if monitors are greater than 2.5" (64 mm) thick.



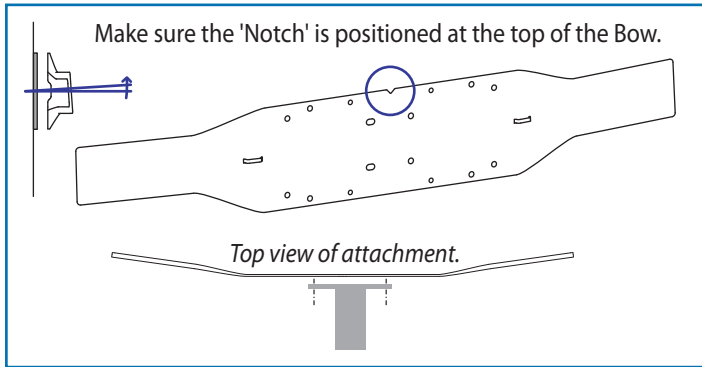
	A	B	C	D	E
1	1x		1x	2x	1x
2	4x	4x		3x	1x
3	2x	2x	4x	2x	10x
4	2x	ID: 6.5 mm OD: 12 mm THK: 1 mm			



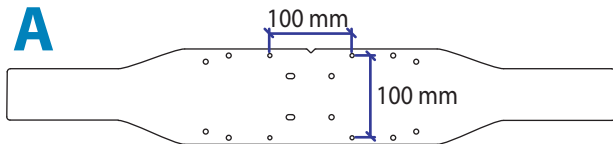
1 There are 3 ways to mount this product. Based on what mounting solution you are attaching this product to, follow the appropriate mounting instructions.

- A.** Attaching this product to a mounting solution with 100 x 100 mm mounting hole pattern.
- B.** Attaching this product to a mounting solution with 200 x 100 mm mounting hole pattern.
- C.** Attaching this product to a mounting solution with a 50 x 50 mm mounting hole pattern.

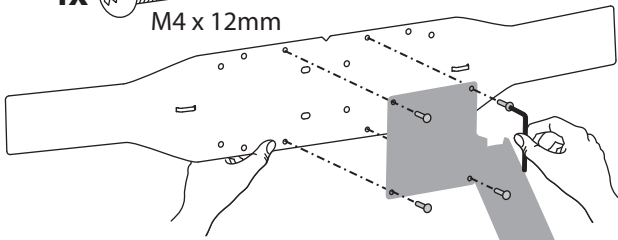
A/B



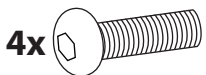
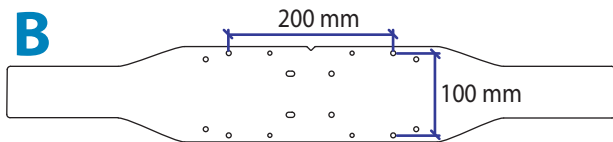
A



M4 x 12mm



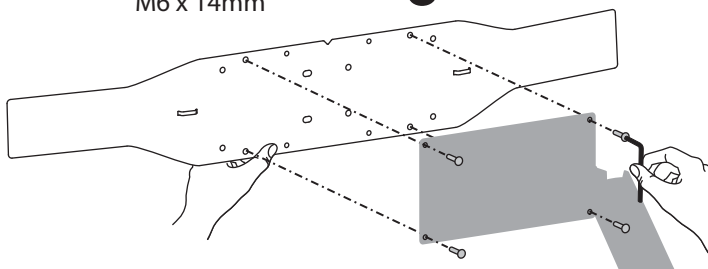
B



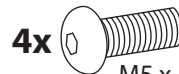
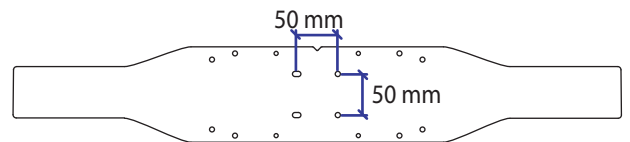
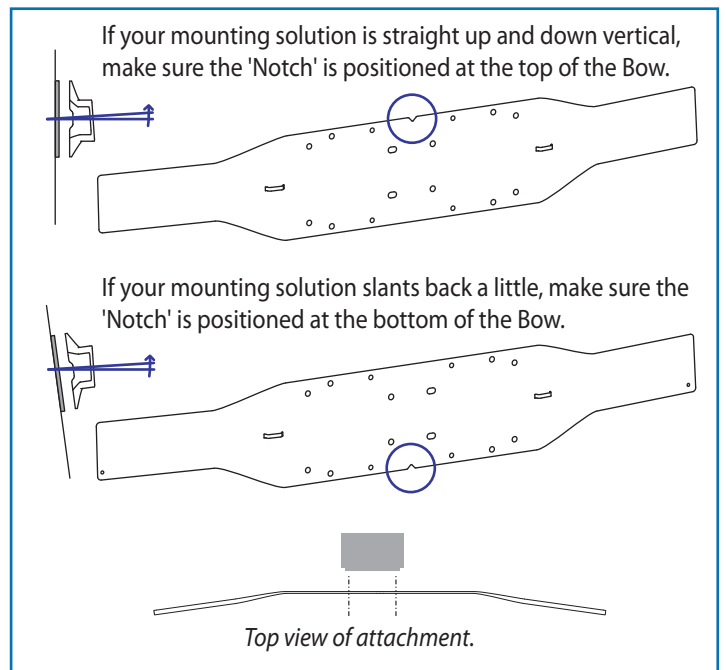
M6 x 14mm



4 mm



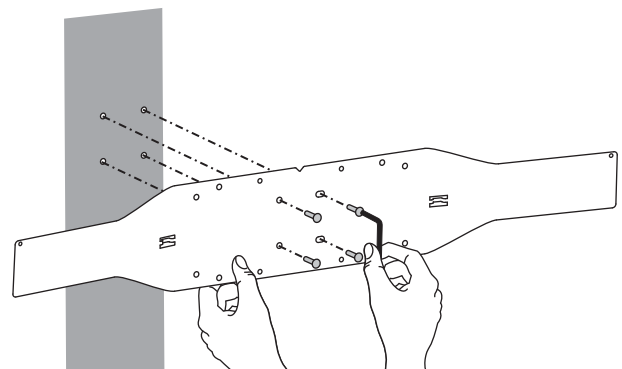
C

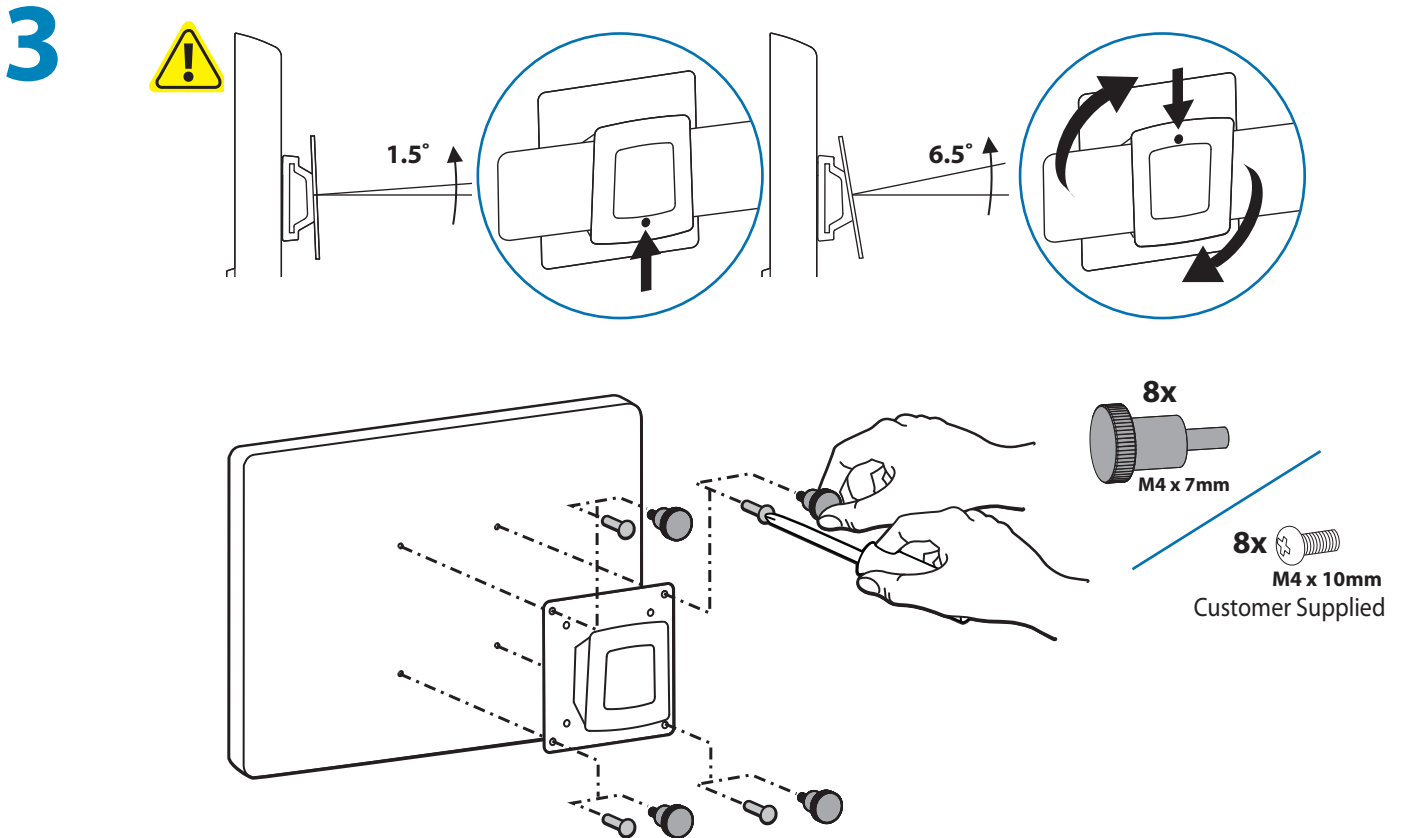
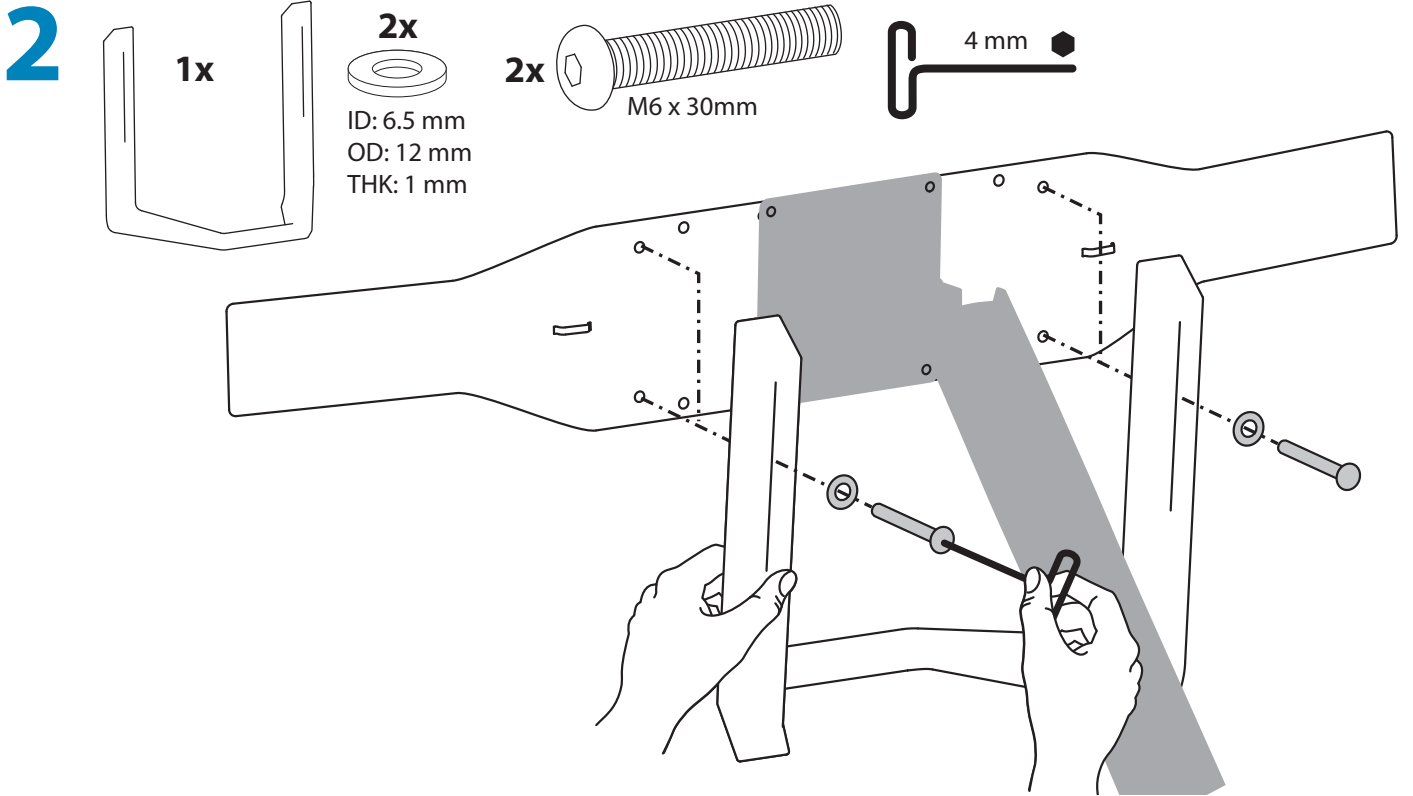


M5 x 12mm

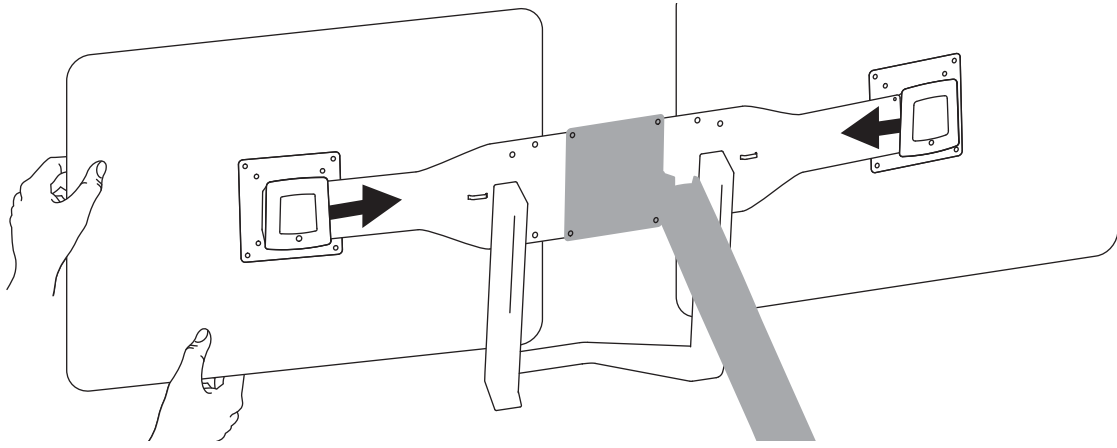


3 mm

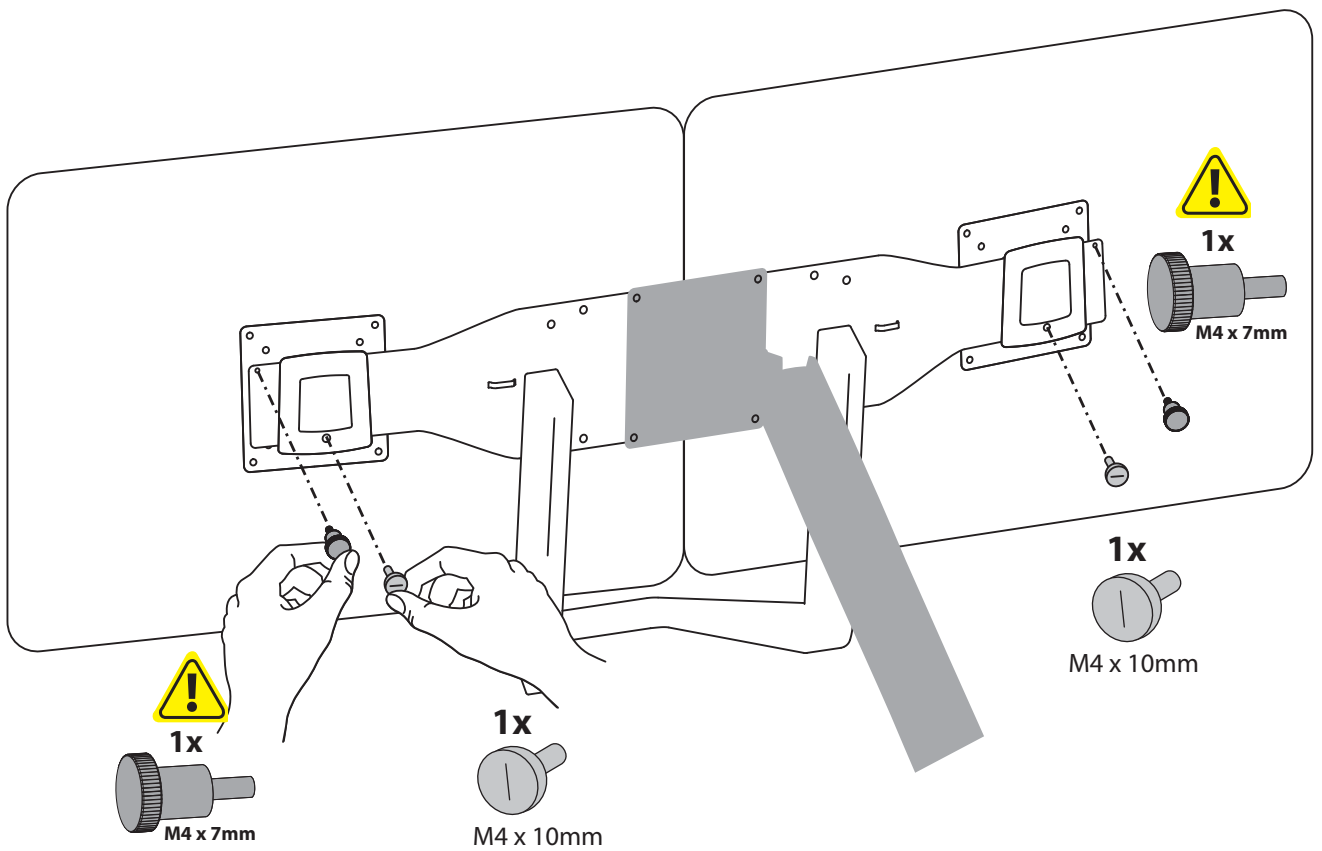




4



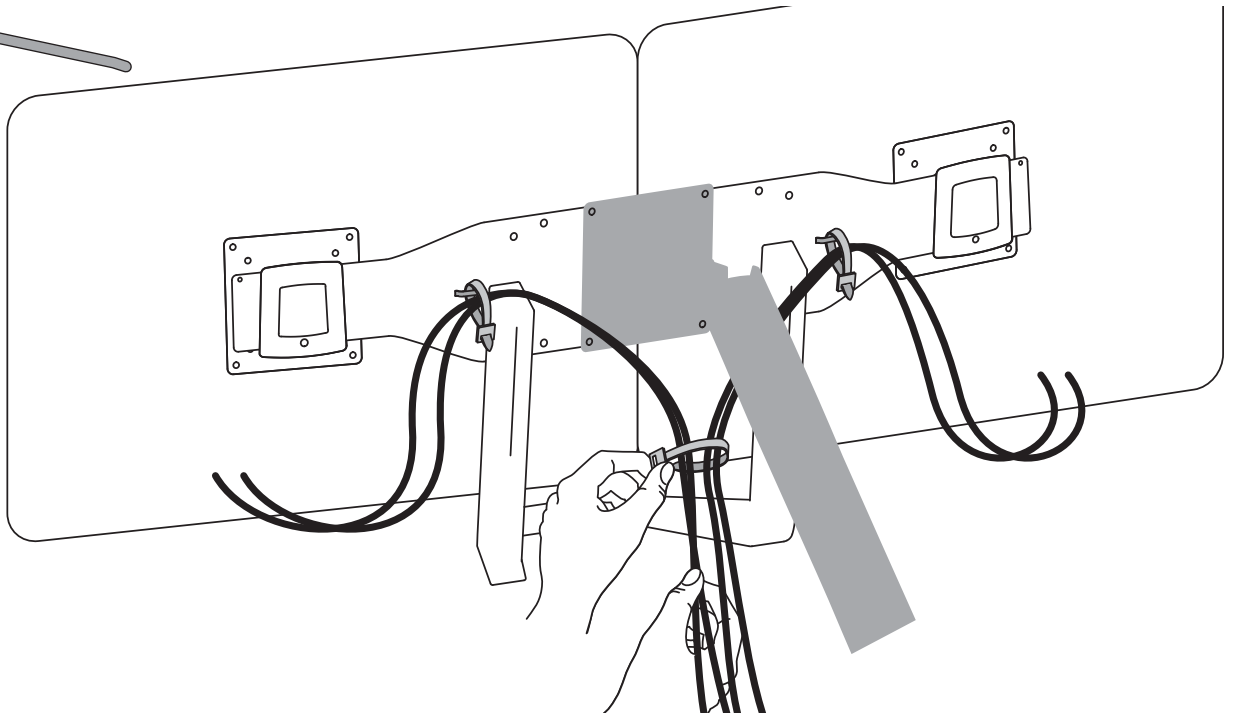
5



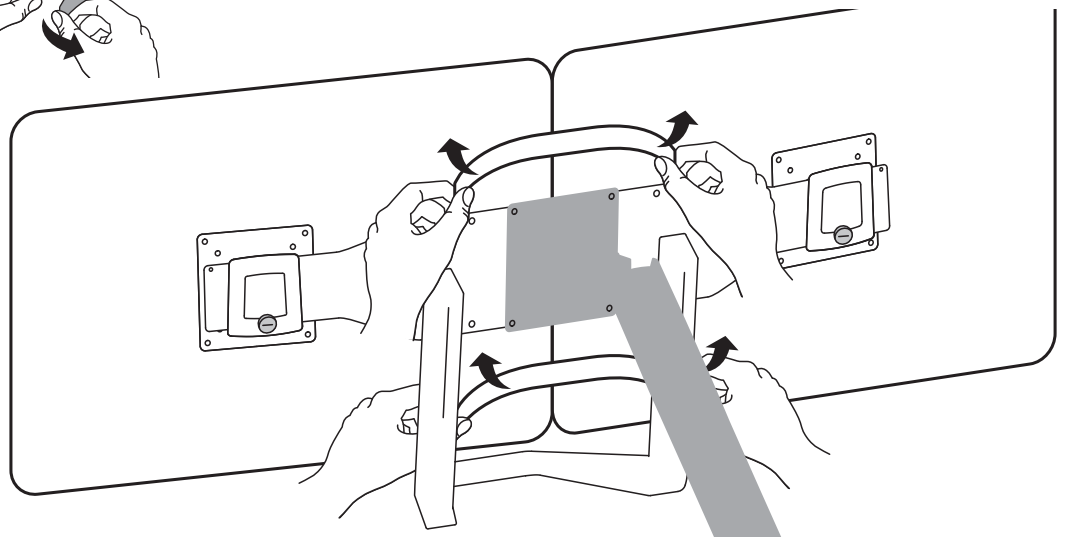
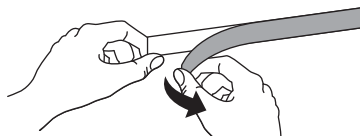
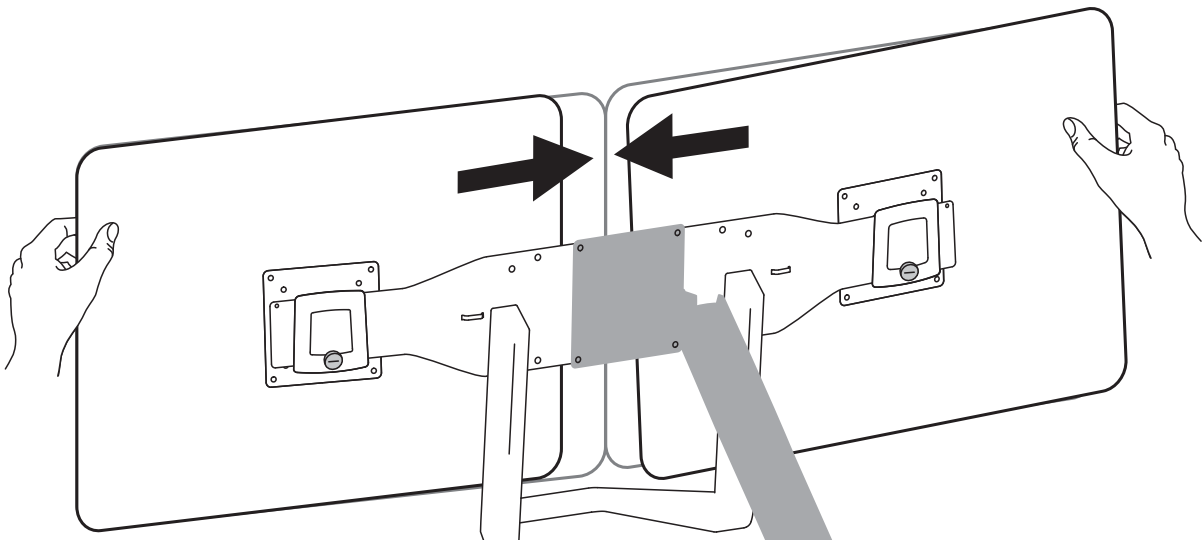
Center total width of mounted equipment on stand.
Centre la anchura total del equipo montado en el soporte.
Centrez la largeur totale du matériel monté sur le montant.
Zentrieren sie die Gesamtbreite der montierten Geräte auf dem Standfuß.
Centreer de totale breedte van de gemonteerde apparatuur op de standaard.
Larghezza totale centrale dell'attrezzatura montata sul sostegno.
 スタンドに取り付けた機器の幅全体を中央に調整します。
 将被安装设备总宽度的中间位置与支架对齐。
 거치된 장비의 전체 폭 중앙이 스탠드 위에 오도록 조정합니다.

6

3x



7





Important! Adjust your mounting solution to handle the added weight.

You will need to adjust your product after installation is complete. **Make sure all your equipment is properly installed on the product before attempting adjustments.** Your mounting solution should move smoothly and easily through the full range of motion and stay where you set it. If movements are too easy or difficult or if product does not stay in desired positions, follow the adjustment instructions that came with your mounting solution to create smooth and easy movements. Depending on your product and the adjustment, it may take many turns to notice a difference. Any time equipment is added or removed from your mounting solution, resulting in a change in the weight of the mounted load, you should repeat the adjustment steps to ensure safe and optimum operation.



© 2013 Ergotron, Inc.
All rights reserved.

While Ergotron, Inc. makes every effort to provide accurate and complete information on the installation and use of its products, it will not be held liable for any editorial errors or omissions (including those made in the process of translation from English to another language), or for incidental, special or consequential damages of any nature resulting from furnishing this instruction and performance of equipment in connection with this instruction. Ergotron, Inc. reserves the right to make changes in the product design and/or product documentation without notification to its users. For the most current product information, or to know if this document is available in languages other than those herein, please contact Ergotron. No part of this publication may be reproduced, stored in a retrieval system, or transmitted in any form or by any means, electronic, mechanical, photocopying, recording or otherwise without the prior written consent of Ergotron, Inc., 1181 Trapp Road, Eagan, Minnesota, 55121, USA Patents Pending and Patented U.S. & Foreign. Ergotron is a registered trademark of Ergotron, Inc.

Americas Sales and Corporate Headquarters

St. Paul, MN USA
(800) 888-8458
+1-651-681-7600
www.ergotron.com
sales@ergotron.com

EMEA Sales

Amersfoort, The Netherlands
+31 33 45 45 600
www.ergotron.com
info.eu@ergotron.com

APAC Sales

Tokyo, Japan
www.ergotron.com
apaccustomerservice@ergotron.com

Worldwide OEM Sales

www.ergotron.com
info.oem@ergotron.com