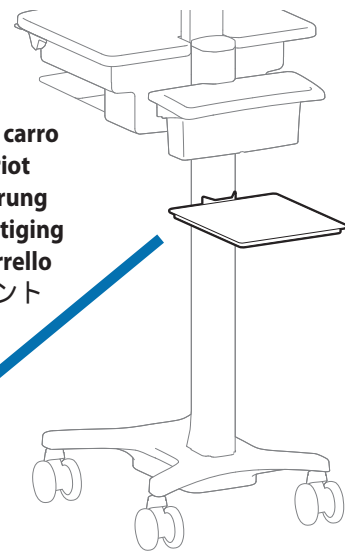


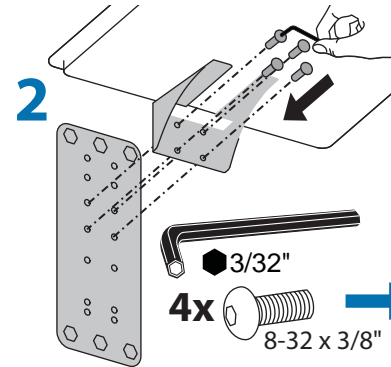
**Weight Capacity:**  
 Capacidad de soporte de peso:  
 Capacité de poids:  
 Tragkraft:  
 Gewichtcapazität:  
 Portata:  
 重量制限:  
 可承重量:

**Cart Mount ≤8 lbs (3.6 kg)**  
**Wall Mount ≤25 lbs (11.3 kg)**

**cart mount**  
 montura del carro  
 fixation chariot  
 Wagenhalterung  
 trolleybevestiging  
 supporto carrello  
 カート マウント  
 手推车安装

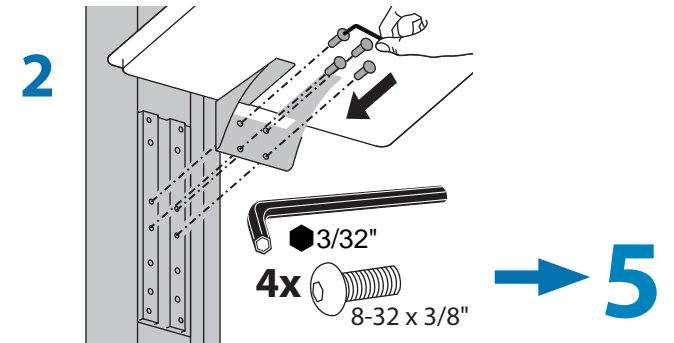


**1** wall plate mount  
 montura con placa mural  
 fixation plaque murale  
 Wandplattenhalterung  
 muurplaatbevestiging  
 piastra per montaggio a parete  
 壁のプレート マウント  
 壁板安装

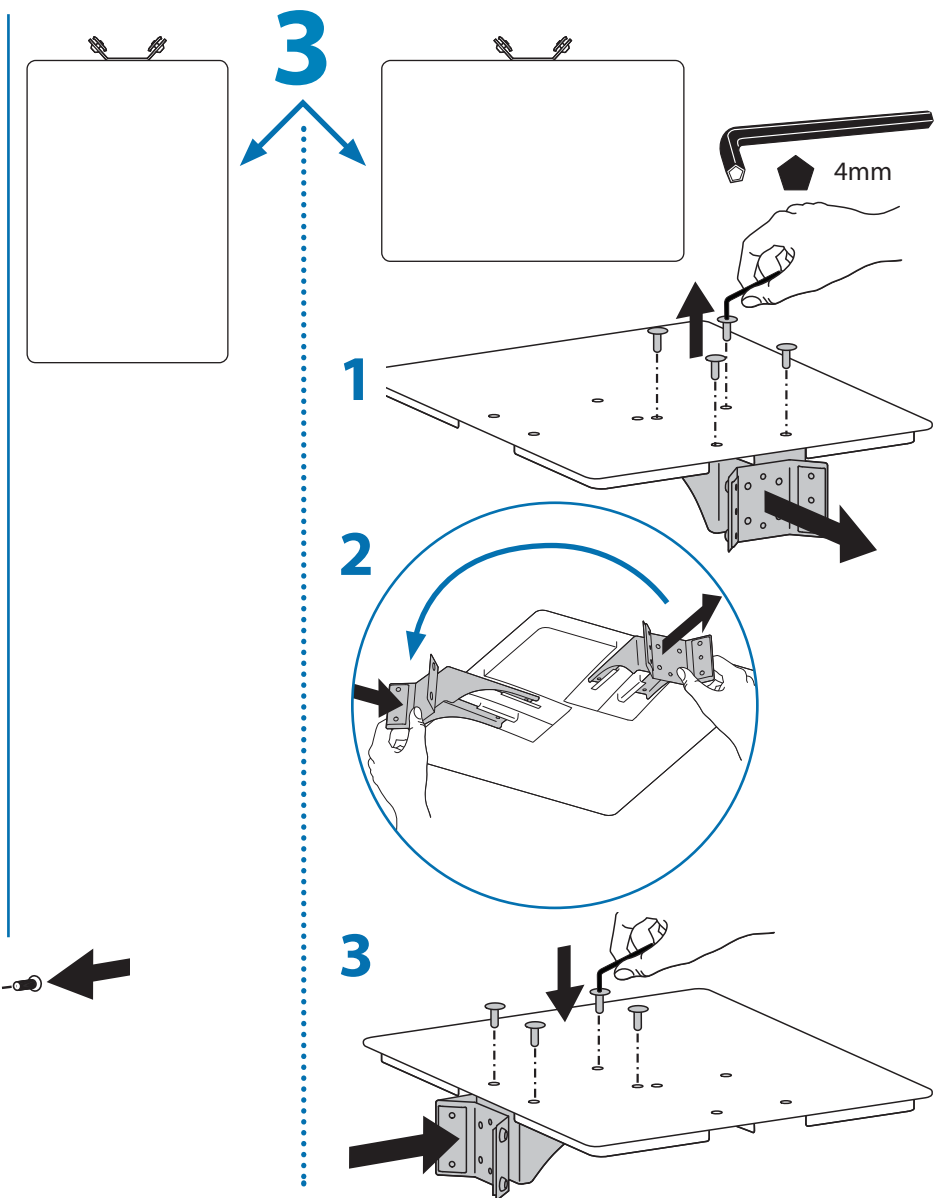
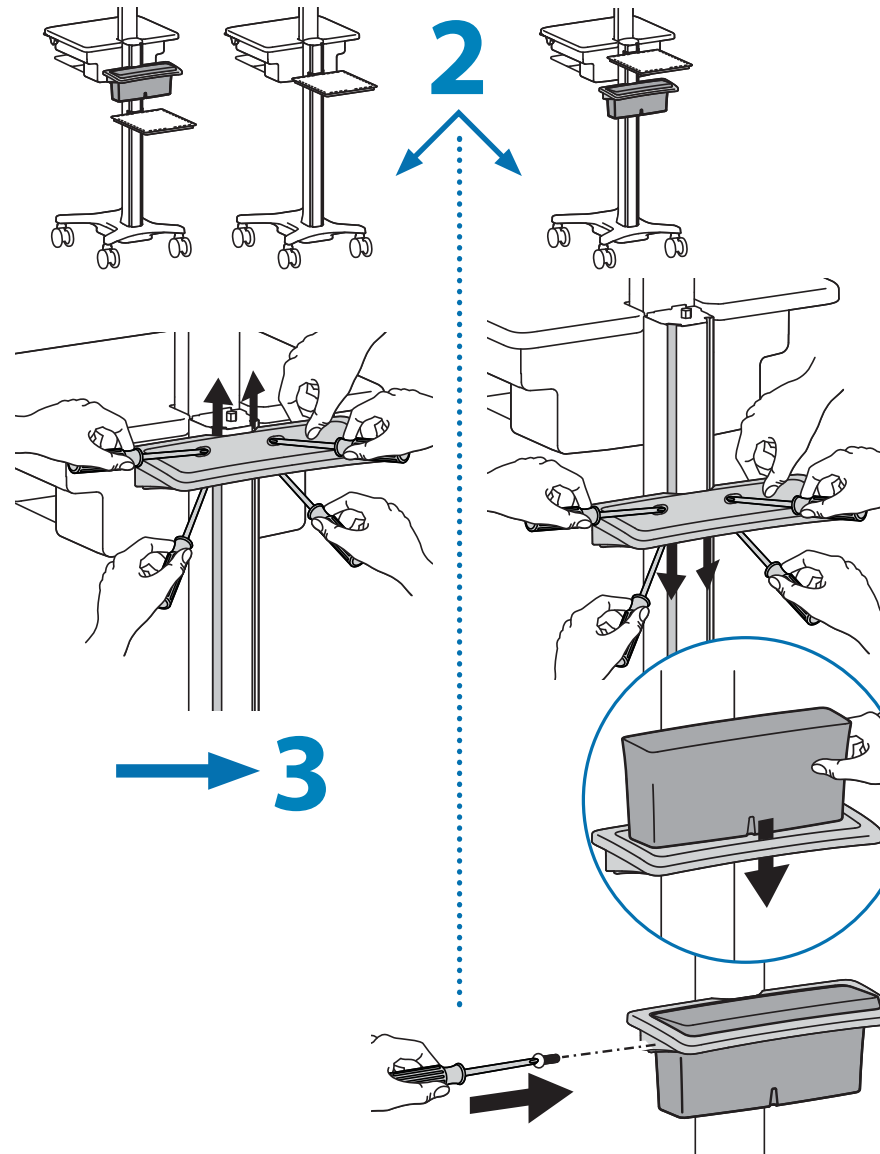
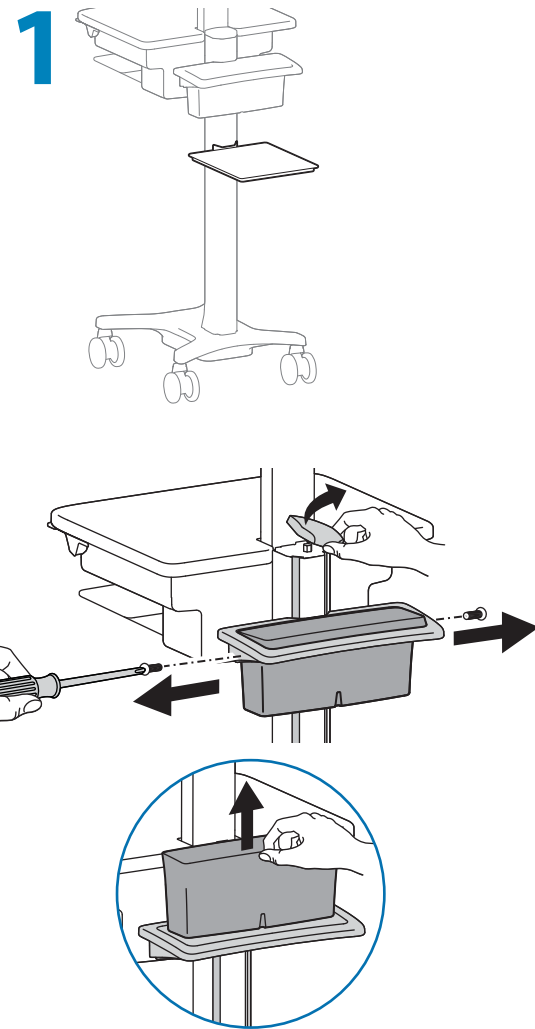


**1** wall track mount  
 montura con guía mural  
 fixation montant mural  
 Wandschienenhalterung  
 muurrailbevestiging  
 guida per montaggio a parete  
 壁のトラック マウント  
 墙轨安装

NOTE: Wall Track and Brackets sold separately.  
 Guía y soporte de pared Vendido por separado  
 Montant mural et fixation Vendu séparément  
 Alu-Profilischiene und Bügel Separat erhältlich  
 Muurrail en -beugel Apart leverbaar  
 Wall Track e staffa Venduta separatamente  
 ウォールトラックおよびブラケット別売  
 墙轨和托架单独出售。



1	1x		
2	2x		
3	1x		
4	4x		M5 x 10mm
5	1x		M4 x 6mm Security Screw Tornillo de seguridad Vis de sécurité Sicherheitsschraube mit Innenfünfkant Veiligheidsleutel Vite di sicurezza 固定ネジ 安全螺丝 Security Screw( )
6	1x		5-sided Security Wrench Llave de seguridad pentagonal Clef Allen de sécurité Fünfkant-Inbusschlüssel 5-kantige veiligheidsleutel Chiave pentagonale di sicurezza 5角固定用レンチ 5角安全扳手 5 Security Wrench( )
	4x		8-32 x 3/8"
	1x		3/32"



For more information on this product or installation visit:  
[www.ergotron.com](http://www.ergotron.com)

© 2010 Ergotron, Inc.  
 All rights reserved.



**Americas Sales and Corporate Headquarters**  
 St. Paul, MN USA  
 (800) 888-8458  
 +1-651-681-7600  
[www.ergotron.com](http://www.ergotron.com)  
[sales@ergotron.com](mailto:sales@ergotron.com)

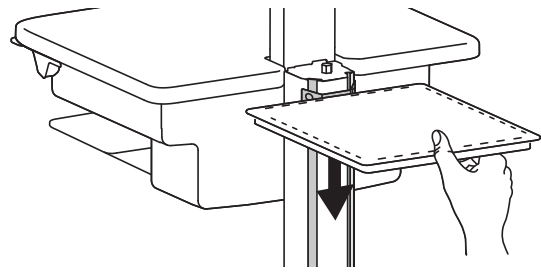
**EMEA Sales**  
 Amersfoort, The Netherlands  
 +31 33 45 45 600  
[www.ergotron.com](http://www.ergotron.com)  
[info.eu@ergotron.com](mailto:info.eu@ergotron.com)

**APAC Sales**  
 Tokyo, Japan  
[www.ergotron.com](http://www.ergotron.com)  
[apaccustomerservice@ergotron.com](mailto:apaccustomerservice@ergotron.com)

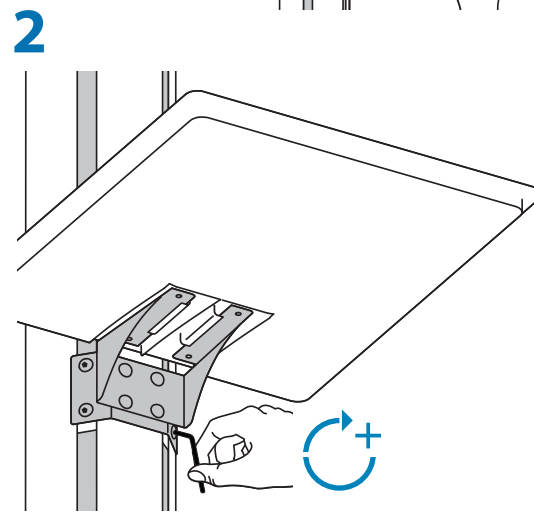
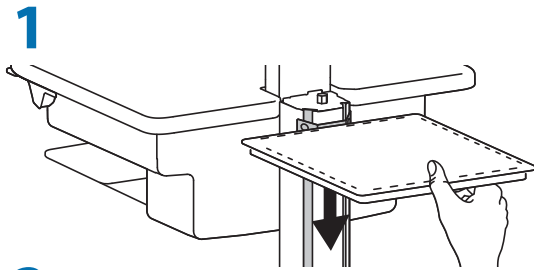
**Worldwide OEM Sales**  
[www.ergotron.com](http://www.ergotron.com)  
[info.oem@ergotron.com](mailto:info.oem@ergotron.com)

While Ergotron, Inc. makes every effort to provide accurate and complete information on the installation and use of its products, it will not be held liable for any editorial errors or omissions (including those made in the process of translation from English to another language), or for incidental, special or consequential damages of any nature resulting from furnishing this instruction and performance of equipment in connection with this instruction. Ergotron, Inc. reserves the right to make changes in the product design and/or product documentation without notification to its users. For the most current product information, or to know if this document is available in languages other than those herein, please contact Ergotron. No part of this publication may be reproduced, stored in a retrieval system, or transmitted in any form or by any means, electronic, mechanical, photocopying, recording or otherwise without the prior written consent of Ergotron, Inc., 1181 Trapp Road, Eagan, Minnesota, 55121, USA. Patents Pending and Patented U.S. & Foreign. Ergotron is a registered trademark of Ergotron, Inc.

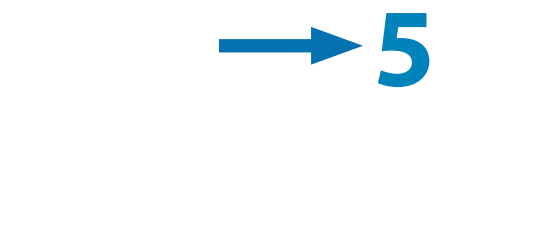
4



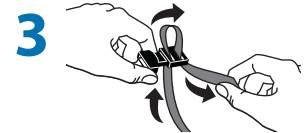
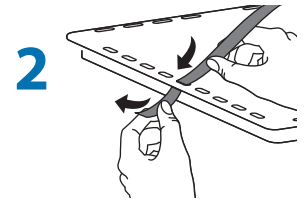
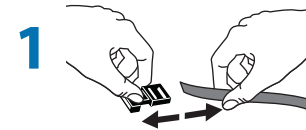
5-sided Security Wrench  
 Llave de seguridad pentagonal  
 Clef Allen de sécurité  
 Fünfkant-Inbuschlüssel  
 5-kantige veiligheidsleutel  
 Chiave pentagonale di sicurezza  
 5角固定用レンチ  
 5角安全扳手  
 5 Security Wrench( )



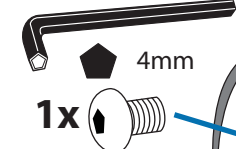
5



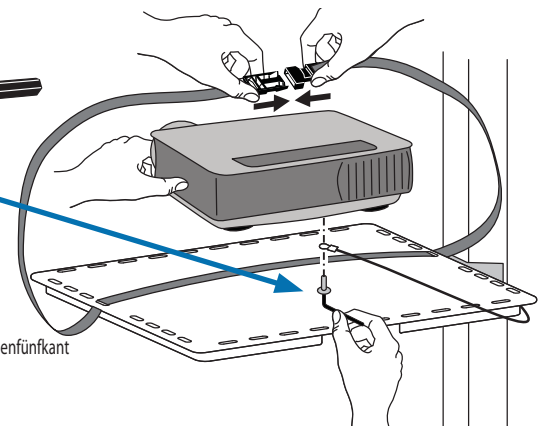
5



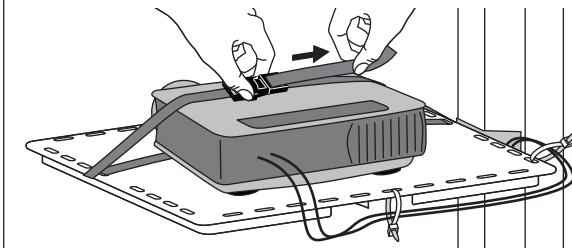
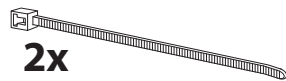
4



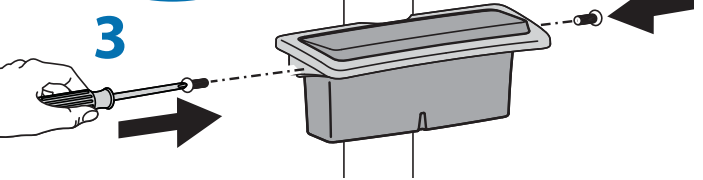
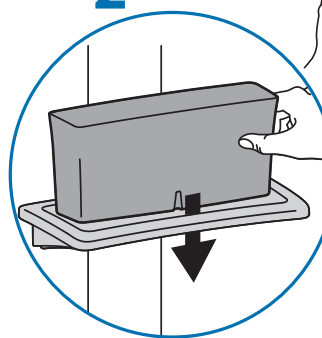
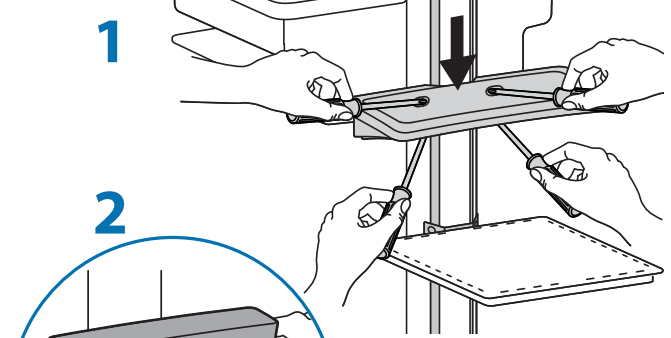
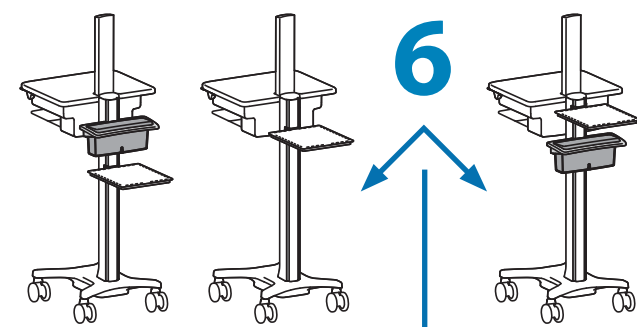
1x  
 M4 x 6mm  
 Security Screw  
 Tornillo de seguridad  
 Vis de sécurité  
 Sicherheitsschraube mit Innenfünfkant  
 Veiligheidsleutel  
 Vite di sicurezza  
 固定ネジ  
 安全螺丝  
 Security Screw( )



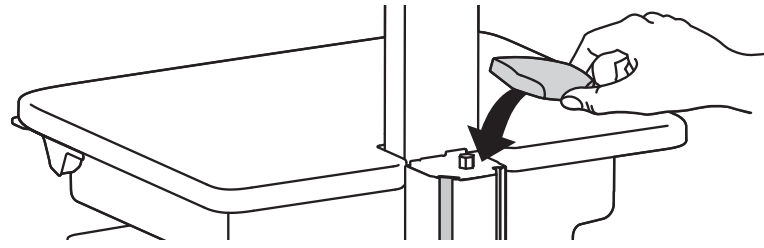
5



6



7



**Ergotron Limited Warranty**  
 Ergotron warrants that its products will remain free of defects in material and workmanship for five (5) years. All subject to the exceptions, exclusions and limitations as set forth below.

Exceptions to this warranty include:

- Three (3)-year warranty on all Neo-Flex™ by Ergotron products
- StyleView Carts:
- Two (2)-year warranty on all power supply components by Ergotron
- Battery carries an up to a one (1)-year performance warranty (see Limitations below) and six (6)-month warranty against manufacturer's defects. Note: In EU, the warranty against manufacturer's defects is two (2)-years.
- One (1)-year warranty on all electronic non-power supply components (excludes AA batteries)
- OEM products resold by Ergotron are warranted by the respective manufacturer
- Product that is refurbished by Ergotron and sold by Ergotron carries a 90-day warranty
- Thirty (30)-day warranty on all service programs
- Ergotron warranties are nontransferable

Exclusive Remedy: If any Ergotron equipment is or becomes defective in material or workmanship during the warranty period, Ergotron will determine with the customer if the product defect is covered under warranty. Ergotron, at its sole discretion, may replace or repair the unit determined to be under warranty at a designated Ergotron location or at the customer location. The purchaser must get pre-approved authorization to return product to Ergotron. The Purchaser must contact Ergotron to obtain an RMA (Return Material Authorization) number. Ergotron will promptly repair or replace the item and ship it to Purchaser at no charge to the Purchaser. Performance of repair or replacement does not renew or extend the warranty period.

THIS REMEDY IS THE EXCLUSIVE REMEDY FOR BREACH OF WARRANTY AS TO THE EQUIPMENT, except in respect to personal injury. Purchaser shall give Ergotron immediate written notice of any personal injury resulting from use of Ergotron equipment.

Exclusions and Limitations: Ergotron disclaims liability for injuries or losses caused by or associated with installation or use of its equipment in any manner other than in strict conformance with the instructions set forth in its installation manuals, supplemental assembly and installation instruction sheets, technical bulletins or product literature, or by equipment that has been altered, damaged or misused.

Warranty on fully charged batteries left in an unused state for more than three (3) consecutive months is automatically void. Warranty on fully discharged batteries left in an unused state for more than three (3) consecutive days is automatically void.

Two (2)-year warranty on all power supply components by Ergotron; battery carries a 90 day performance warranty and six (6) month warranty against manufacturer's defects. Performance warranty is extended to 1 year on the battery providing:

- StyleLink software is installed and it shows compliance with exclusions and limitations
- Battery is not discharged below 25% capacity more than 25 times
- Battery is fully recharged at least once every 36 hours

Purchaser has not relied upon and Ergotron disclaims any and all warranties other than the expressed warranty stated above, subject to the exclusions and limitations provided herein. Ergotron disclaims all other warranties, expressed or implied, including but not limited to the warranties of merchantability and fitness for a particular purpose. Ergotron further disclaims liability to purchaser and all others for all consequential, incidental and special damages caused by or in connection with the products, their use or misuse, and their performance or nonperformance.