



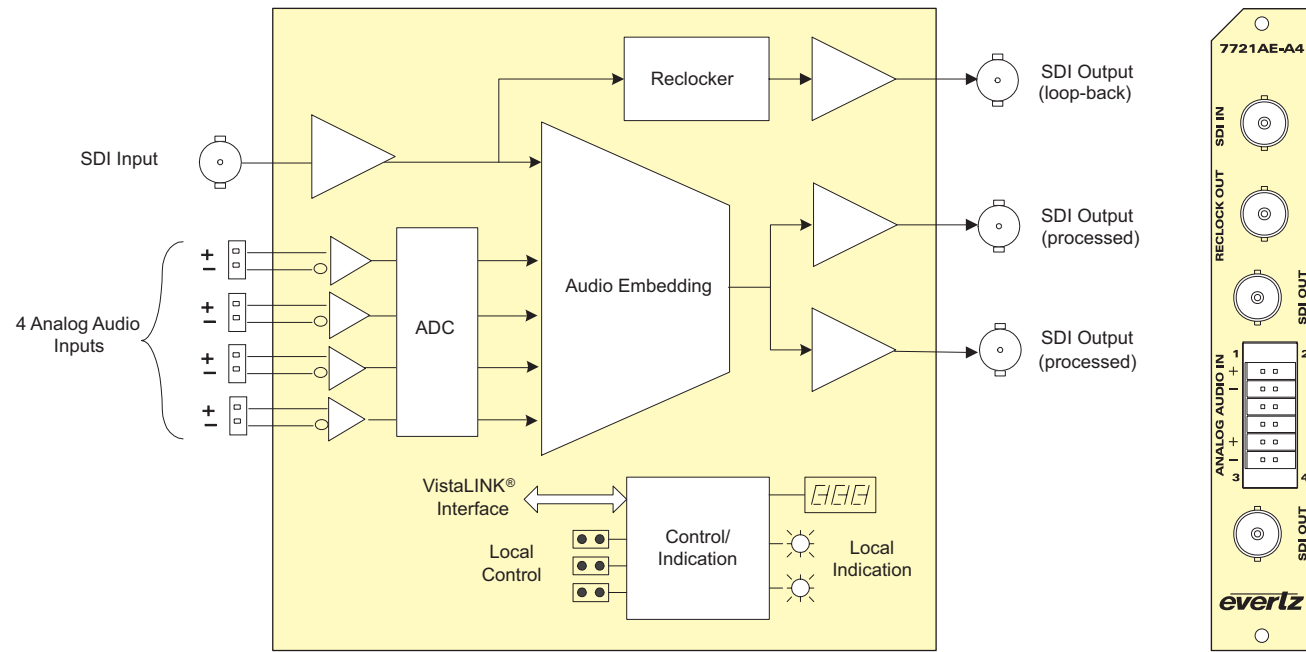
The 7721AE-A4 Analog Audio Embedder performs A/D conversion on 4 balanced pairs of analog audio (as one audio group) and embeds them into a 270Mb/s serial SD input video signal as specified by SMPTE 272M. The companion 7720AD-A4 Audio De-embedder facilitates audio de-multiplexing at the destination.

VistaLINK® enables control and configuration capabilities via Simple Network Management Protocol (SNMP). This offers the flexibility to manage the module status monitoring and configuration from SNMP - enabled control systems such as Evertz VistaLINK® PRO.

The 7721AE-A4 occupies one card slot and can be housed in a 1RU frame which will hold up to 3 modules, a 3RU frame which will hold up to 15 modules, a 350FR portable frame which will hold up to 7 modules or a standalone enclosure that will hold 1 module.

►Features & Benefits

- Automatic detection of video input format
- Supports 270Mb/s SD per SMPTE 259M-C, and SDTi per SMPTE 305M
- Programmable audio delays (up to 5 frames or 84 milliseconds)
- Selectable ancillary packet cleaning mode removes all audio before embedding
- Individual audio channel assignment for embedded audio group
- Audio mixer per audio channel to provide voice-over
- Upstream embedded Dolby-E® compatible (passed through)
- Monitoring headphone jack for audio input and embedded audio output
- Comprehensive signal and card status monitoring via four-character card-edge display and LEDs
- VistaLINK® capable for remote monitoring, control and configuration capabilities via SNMP; using VistaLINK® PRO, CP-2116E or CP-2232E Control Panels. VistaLINK® is available when modules are used with the 3RU 7800FR frame and a 7700FC VistaLINK® Frame Controller module in slot 1 of the frame



►Specifications

Serial Video Input:

Standard: Auto detect
270Mb/s SMPTE 259M-C, 525 or 625 line component, SMPTE 305M, (SDTi)
Connector: 1 BNC per IEC 61169-8 Annex A
Equalization: Automatic to 300m @ 270Mb/s with Belden 1694A or equivalent cable
Return Loss: > 15dB up to 270Mb/s

Serial Video Output:

Number of Outputs: 1 Reclocked Loopback
2 same as input with embedded audio
Connector: BNC per IEC 61169-8 Annex A
Signal Level: 800mV nominal
DC Offset: 0V ±0.5V
Rise and Fall Time: 900ps nominal
Overshoot: < 10% of amplitude
Return Loss: > 15dB at 270Mb/s
Wide Band Jitter: < 0.2 UI

Analog Audio Inputs:

Number of Inputs: 4
Type: Balanced analog audio
Connector: 12-pin removal terminal block
Input impedance: High Impedance (> 20kΩ)
Freq. Response: ±0.1dB, 20Hz to 20kHz
THD 20Hz-20kHz: < 0.005%
Channel Phase Diff.: ±1°
SNR (weighted): > 85dB with input @24dBu (nominal)
Max. Audio Input Level: +24dBu
Signal Quantization: 20 bits

Electrical:

Voltage: +12V DC
Power: 10W
EMI/RFI: Complies with FCC Part 15, Class A
EU EMC directive

Physical (number of slots):

350FR: 1
7700FR-C: 1
7800FR: 1

►Ordering Information

7721AE-A4 SD-SDI Analog Audio Embedder

Ordering Options Rear must be specified at time of order
Eg: Model +3RU

Rear Plate Suffix

+3RU 3RU Rear Plate for use with 350FR, 7700FR-C or 7800FR Multiframe
+1RU 1RU Rear Plate for use with 7701FR Multiframe
+SA Standalone Enclosure Rear Plate

Accessories

7700FC VistaLINK® Frame Controller
CP-2116E-H Remote Control Panel
CP-2232E Remote Control Panel

Enclosures

350FR 3RU Portable Multiframe which holds up to 7 single slot modules
7700FR-C 3RU Multiframe which holds up to 15 single slot modules
7800FR 3RU Multiframe which holds up to 15 single slot modules
7801FR 1RU Multiframe which holds up to 4 single or 2 dual slot modules
7701FR 1RU Multiframe which holds up to 3 single or dual slot modules
S7701FR Standalone enclosure