

7721AE-A4-HD

HD/SD-SDI Analog Audio Embedder

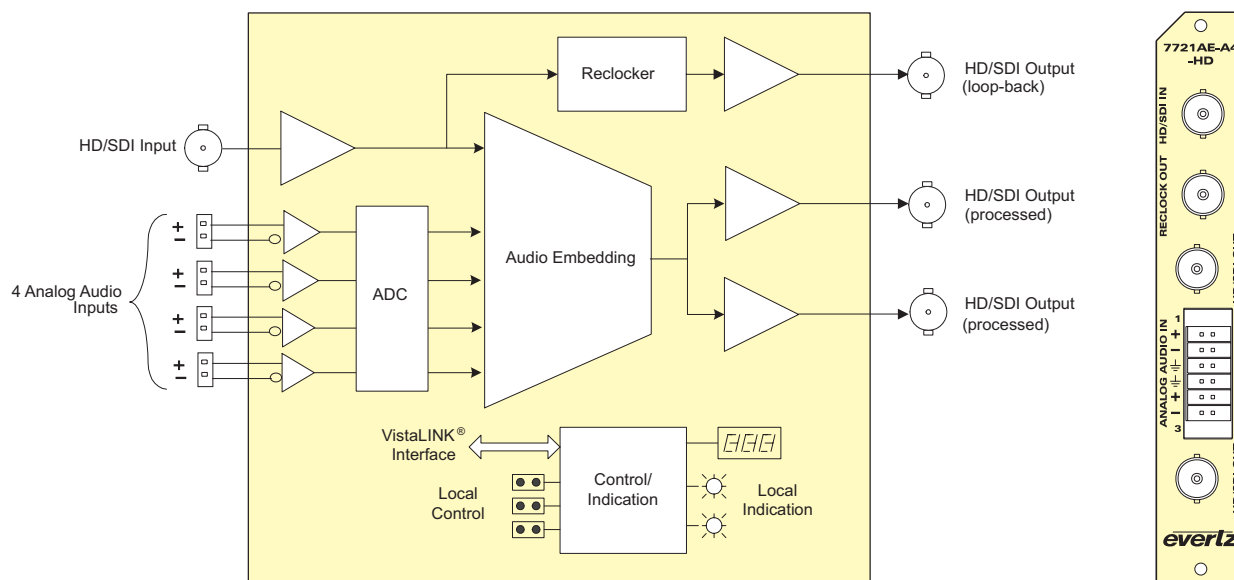
The 7721AE-A4-HD Analog Audio Embedder performs A/D conversion on 4 balanced pairs of analog audio (as one audio group) and embeds them into a 1.5Gb/s serial HD input video signal or a 270Mb/s serial SD input video signal as specified by SMPTE 299M/272M. The companion 7721AD-A4-HD Audio De-embedder facilitates audio de-multiplexing at the destination.

The 7721AE-A4-HD occupies one card slot and can be housed in a 1RU frame which will hold up to 3 modules, a 3RU frame which will hold up to 15 modules, a 350FR portable frame which will hold up to 7 modules or a standalone enclosure that will hold 1 module.

VistaLINK® enables control and configuration capabilities via Simple Network Management Protocol (SNMP). This offers the flexibility to manage the module status monitoring and configuration from SNMP enabled control systems such as Evertz VistaLINK®.

►Features & Benefits

- Automatic detection of video input format
- Supports 1.5Gb/s HD per SMPTE 292M, 270Mb/s SD per SMPTE 259M-C, and SDTi per SMPTE 305M
- Programmable audio delays (up to 5 frames or 84 milliseconds)
- Selectable ancillary packet cleaning mode removes all audio before embedding
- Individual audio channel assignment for embedded audio group
- Audio mixer per audio channel to provide voice-over
- Upstream embedded Dolby-E® compatible (passed through)
- Monitoring headphone jack for audio input and embedded audio output
- Comprehensive signal and card status monitoring via four-character card-edge display and LEDs
- VistaLINK® capable for remote monitoring, control and configuration capabilities via SNMP; using VistaLINK® PRO, CP-2116E or CP-2232E Control Panels. VistaLINK® is available when modules are used with the 3RU 7800FR frame and a 7700FC VistaLINK® Frame Controller module in slot 1 of the frame



►Specifications

Serial Video Input:

Standard: Auto detect
1.5Gb/s SMPTE 292M or 270Mb/s SMPTE 259M-C, 525 or 625 line component, SMPTE 305M, (SDTi)
Connector: 1 BNC per IEC 61169-8 Annex A
Equalization: Automatic to 300m @ 270Mb/s with Belden 1694A or equivalent cable, 110m @ 1.5Gb/s
Return Loss: > 15dB up to 1.5GHz

Serial Video Output:

Number of Outputs: 1 Reclocked Loopback
2 same as input with embedded audio
Connector: BNC per IEC 61169-8 Annex A
Signal Level: 800mV nominal
DC Offset: 0V ±0.5V
Rise and Fall Time: 900ps nominal
Overshoot: < 10% of amplitude
Return Loss: > 15dB at 270Mb/s
Wide Band Jitter: < 0.2 UI

Analog Audio Inputs:

Number of Inputs: 4
Type: Balanced analog audio
Connector: 12-pin removal terminal block
Input impedance: High Impedance (> 20KΩ)
Freq. Response: ±0.1dB, 20Hz to 20kHz
THD 20Hz-20kHz: < 0.005%
Channel Phase Diff.: ±1°
SNR (weighted): > 85dB with input @24dBu (nominal)
Max. Audio Input Level: +24dBu
Signal Quantization: 24 bits

Electrical:

Voltage: +12V DC
Power: 10W
EMI/RFI: Complies with FCC Part 15, Class A
EU EMC directive

Physical (number of slots):

350FR: 1
7700FR-C: 1
7800FR: 1

►Ordering Information

7721AE-A4-HD HD/SD-SDI Analog Audio Embedder

Ordering Options Rear Plate must be specified at time of order
Eg: Model +3RU

Rear Plate Suffix

+3RU 3RU Rear Plate for use with 350FR, 7700FR-C or 7800FR Multiframe
+1RU 1RU Rear Plate for use with 7701FR Multiframe
+SA Standalone Enclosure Rear Plate

Accessories

7700FC VistaLINK® Frame Controller
CP-2116E-H Remote Control Panel
CP-2232E Remote Control Panel

Enclosures

350FR 3RU Portable Multiframe which holds up to 7 single slot modules
7700FR-C 3RU Multiframe which holds up to 15 single slot modules
7800FR 3RU Multiframe which holds up to 15 single slot modules
7801FR 1RU Multiframe which holds up to 4 single or 2 dual slot modules
7701FR 1RU Multiframe which holds up to 3 single or dual slot modules
S7701FR Standalone Enclosure