

7721AD8-HD, 7721AD8-B-HD

HD/SD-SDI 8 AES (16 Channel) Audio De-embedder



The 7721AD8-HD Audio De-embedder extracts embedded audio from all 4 groups of a 1.5Gb/s HD or a 270Mb/s SD video signal as specified in SMPTE 299M or 272M respectively. The module supports 24-bit AES audio de-embedding for HD and 20-bit audio de-embedding for SD. Up to 16 selected channels may be de-embedded and directed to 8 AES outputs. In addition, a full 16x16 audio channel router is available for channel re-mapping.

The 7721AD8-HD is Dolby-E® compliant and handles Dolby-E® metadata. Metadata is optionally de-embedded from VANC and can be provided as an output for downstream devices like Dolby-E® or Dolby AC-3® Encoders.

VistaLINK® enables control and configuration capabilities via Simple Network Management Protocol (SNMP). This offers the flexibility to manage the module status monitoring and configuration locally or remotely.

►Features & Benefits

- Audio de-embedding from 1.5Gb/s HD or 270Mb/s SD video
- Automatic detection of input video standard
- Two 1.5Gb/s HD or 270Mb/s SD serial video outputs
- Supports 24-bit AES audio de-embedding for HD and 20-bit AES audio de-embedding for SD
- Flexible 16x16 audio channel routing for channel re-mapping
- Dolby-E® compliant with VANC decode and output of Dolby metadata
- Card edge display for status and miniature bargraphs for audio peak levels
- Card edge LEDs indicate video and audio signal presence and module fault
- VistaLINK® capable for remote monitoring, control and configuration capabilities via SNMP; using VistaLINK® PRO, CP-2116E or CP-2232E Control Panels. VistaLINK® is available when modules are used with the 3RU 7800FR frame and a 7700FC VistaLINK® Frame Controller module in slot 1 of the frame

Inputs

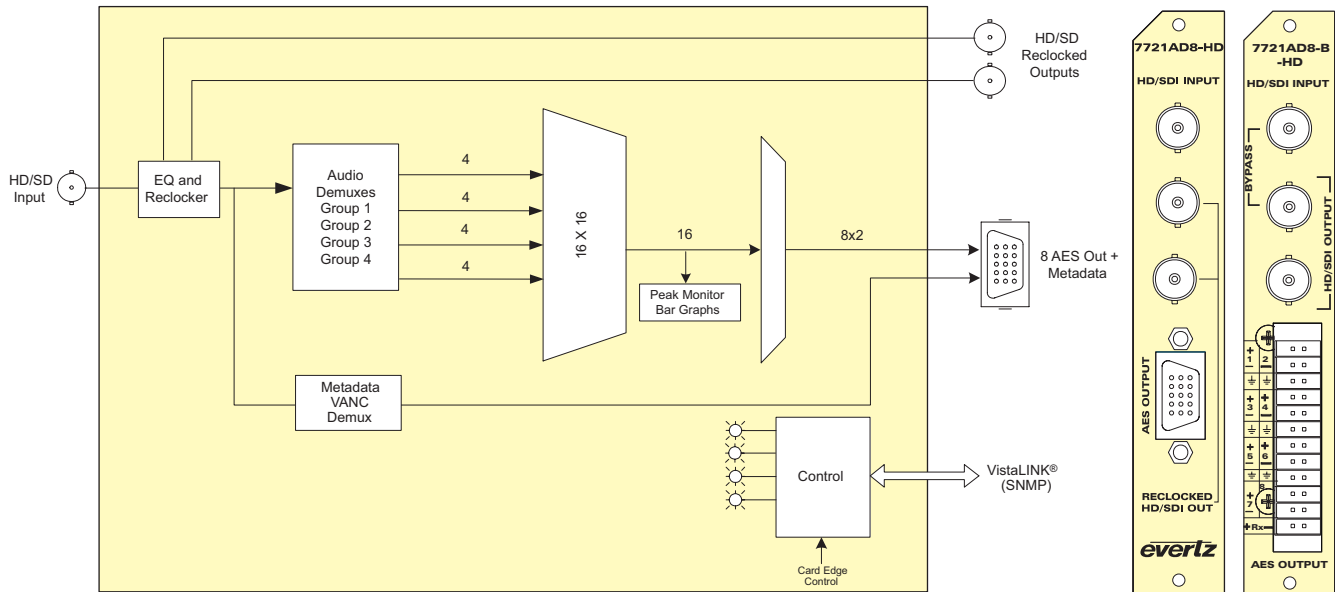
- 1.5Gb/s HD or 270Mb/s SD serial video

Outputs

- Dolby Metadata output (RS-422/485)
- 8 AES de-embedded outputs
- 2 re-clocked HD/SD serial video outputs

Controls

- Audio channel routing selection
- VANC decoder line, DID, and sDID



►Specifications

<p>Serial Video Input: Standard: SMPTE 292M (1.5Gb/s), (1080i/60, 1080i/59.94, 1080i/50, 1080p/30sF, 1080p/29.97sF, 1080p/25sF, 1080p/24sF, 1080p/23.98sF, 720p/60, 720p/59.94), 1035i/60, 1035i/59.94, 1080p/30, 1080p/29.97, 1080p/25, 1080p/24, 1080p/23.98, 720p/50 SMPTE 259M (270Mb/s) 525 or 625 line Connector: 1 BNC per IEC 61169-8 Annex A</p> <p>Embedded Audio Input: Standard: SMPTE 299M - 24-bit 48kHz synchronous SMPTE 272M - 20-bit 48kHz synchronous</p>	<p>Metadata Output: Type: Dolby-E® Metadata (RS-422) Connector: DB15 to BNC 6ft breakout cable or terminal block Baud Rate: 115,200 baud (as per Dolby-E® usage)</p> <p>Serial Video Outputs Re-clocked: Standard: Same as input Number of Outputs: 2 Connectors: BNC per IEC 61169-8 Annex A Return Loss: > 15dB up to 1.5Gb/s Wide Band Jitter: < 0.2 UI</p> <p>AES Audio Outputs: Standard: SMPTE 276M, single ended AES Number of Outputs: 8 Connector: DB15 to BNC 6ft breakout cable or terminal block Sampling Rate: 48kHz Impedance: 75Ω unbalanced or 110Ω balanced Resolution: Up to 24-bit Signal Level: 1V p-p ±0.1V @ termination load</p>	<p>Electrical: Voltage: +12V DC Power: 11W EMI/RFI: Complies with FCC Part 15, Class A EU EMC Directive</p> <p>Physical (number of slots): 350FR: 1 7700FR-C: 1 7800FR: 1</p>
--	--	---

►Ordering Information

7721AD8-HD	HD/SD-SDI 8 AES (16 Channel) Audio De-embedder
7721AD8-B-HD	HD/SD-SDI 8 Balanced AES (16 Channel) Audio De-embedder

Ordering Options Rear Plate must be specified at time of order
Eg: Model +3RU

Rear Plate Suffix
+3RU 3RU Rear Plate for use with 350FR, 7700FR-C or 7800FR Multiframe
+1RU 1RU Rear Plate for use with 7701FR Multiframe
+SA Standalone Enclosure Rear Plate

Accessories
7700FC VistaLINK® Frame Controller
CP-2116E-H Remote Control Panel
CP-2232E Remote Control Panel

Enclosures
350FR
7700FR-C
7800FR
7801FR
7701FR
S7701FR

3RU Portable Multiframe which holds up to 7 single slot modules
3RU Multiframe which holds up to 15 single slot modules
3RU Multiframe which holds up to 15 single slot modules
1RU Multiframe which holds up to 4 single or 2 dual slot modules
1RU Multiframe which holds up to 3 single or dual slot modules
Standalone Enclosure

