

7721AD4-HD, 7721AD-A4-HD, 7721AD-A4-2HD, 7721AD4-B-HD

HD-SDI AES Audio De-embedder



The 7721AD-HD series Audio De-Embedders extract embedded audio as specified by ST 299-1 from a 1.5Gb/s serial HDTV video signal. The companion 7721AE4-HD Audio Embedder facilitates audio multiplexing at the source. The 7721AD-HD is available in four different versions.

ST 299-1 allows for up to four groups (four channels/group) to be embedded within a serial digital signal. The 7721AD4-HD can de-embed two audio groups onto four unbalanced AES outputs. The 7721AD-A4-HD can de-embed one audio group onto two unbalanced AES outputs and four balanced analog audio

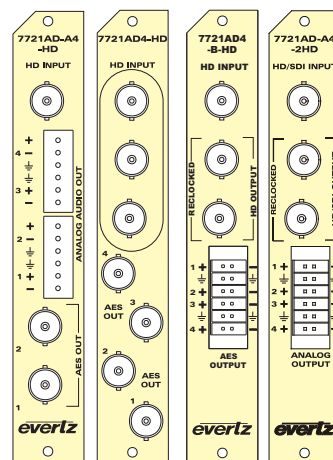
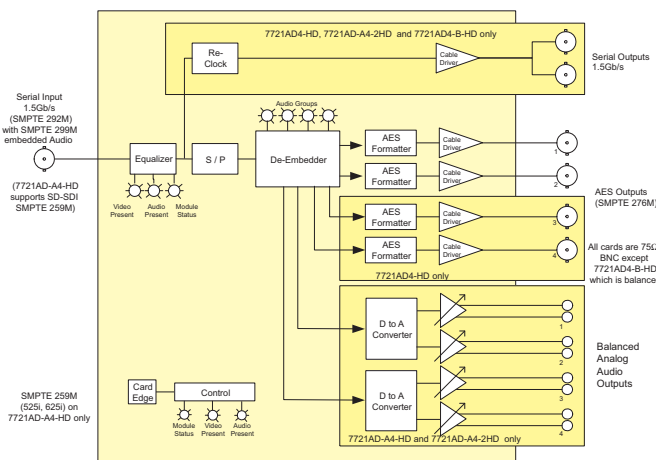
outputs. The 7721AD-A4-2HD can de-embed on audio group into four balanced analog audio outputs.

Model	Audio Outputs		Video 1.5Gb/s Reclocked Outputs
	AES	Analog	
7721AD4-HD (HD only)	4	--	2
7721AD-A4-HD (HD/SD)	2	4	--
7721AD-A4-2HD (HD/SD)	--	4	2
7721AD4-B-HD (HD only)	4	--	2

Features & Benefits

- Automatic detection of video input format
- Card edge LEDs indicating module status, video presence, selected audio group data is present
- LED indication for the presence of each of the four audio groups within the input video
- Audio group selection via card edge DIP switches

- 7721AD-A4-HD and 7721AD-A4-2HD have independent volume controls for each of the audio
- VistaLINK® capable for remote monitoring, control and configuration capabilities via SNMP; using VistaLINK® PRO, CP-2116E or CP-2232E Control Panels. VistaLINK® is available when modules are used with the 3RU 7800FR frame and a 7700FC VistaLINK® Frame Controller module in slot 1 of the frame



Specifications

<p>Serial Video Input: Standard: ST 292-1, 1080i/60, 1080i/59.94, 1080i/50, 1080p/30(sF), 1080p/29.97(sF), 1080p/25(sF), 1080/24(sF), 1080/23.98(sF), 720p/60, 720p/59.94, 1035i/60, 1035i/59.94 SMPTE ST 259 (525i, 625i) on (7721AD-A4-HD) only</p> <p>Connector: BNC per IEC 61169-8 Annex A</p> <p>Equalization: Automatic 100m @ 1.5Gb/s with Belden 1694A (or equivalent)</p> <p>Return Loss: > 10dB up to 1.5Gb/s</p>	<p>Overshoot: < 10% of amplitude</p> <p>Return Loss: > 10dB up to 1.5Gb/s</p> <p>Wide Band Jitter: < 0.2 UI</p>	<p>Sampling Frequency: 48kHz</p> <p>Signal Level: 0dB FS => 8 to 24dBu into 10kΩ load (user settable) 0dB FS => 8 to 22dBu into 600Ω load (user settable)</p> <p>Frequency Response: < ±0.1dB (20Hz to 20kHz)</p> <p>Dynamic Range: 24-bit</p> <p>THD+N: > 90dB RMS @ 1kHz with 24dBu output</p> <p>Crosstalk: > 90dB RMS (20Hz to 20kHz)</p>
<p>Reclocked Serial Video Output (7721AD4-HD, 7721AD-A4-2HD and 7721AD4-B-HD only): Standard: Same as input</p> <p>Number of Outputs: 2</p> <p>Connector: BNC per IEC 61169-8 Annex A</p> <p>Signal Level: 800mV nominal</p> <p>DC Offset: 0V ±0.5V</p> <p>Rise and Fall Time: 200ps nominal</p>	<p>AES Audio Output: Standard: SMPTE 276M, single-ended synchronous or asynchronous AES</p> <p>Number of Outputs: 4 on 7721AD4-HD & 7721AD4-B-HD 2 on 7721AD-A4-HD</p> <p>Connector: BNC per IEC 61169-8 Annex A</p> <p>Sampling Rate: 48kHz</p> <p>Impedance: 75Ω</p> <p>Resolution: 24-bit</p>	<p>Electrical: Voltage: +12V DC</p> <p>Power: 8W</p> <p>EMI/RFI: Complies with FCC Part 15, Class A EU EMC Directive</p>
<p>Analog Audio Output (7721AD-A4-HD, 7721AD-A4-2HD Only): Number of Outputs: 4</p> <p>Type: Balanced analog audio</p> <p>Connector: Two 6-pin terminal strip</p> <p>Output Impedance: 66Ω balanced</p>	<p>Physical (number of slots): 350FR: 1 7700FR-C: 1 7800FR: 1</p>	

Ordering Information

<p>7721AD-A4-HD HD/SD-SDI Audio De-embedder with 2 unbalanced AES and 4 analog audio outputs</p> <p>7721AD4-HD HD Audio De-embedder with 4 unbalanced AES outputs (2 audio groups)</p> <p>7721AD4-B-HD HD Audio De-embedder with 4 balanced AES outputs (2 audio groups)</p> <p>7721AD-A4-2HD HD/SD-SDI Audio De-embedder with 4 analog audio outputs</p>	<p>Accessories 7700FC VistaLINK® Frame Controller CP-2116E-H Remote Control Panel CP-2232E Remote Control Panel</p> <p>Enclosures 350FR 3RU Portable Multiframe which holds up to 7 single slot modules 7700FR-C 3RU Multiframe which holds up to 15 single slot modules 7800FR 3RU Multiframe which holds up to 15 single slot modules 7801FR 1RU Multiframe which holds up to 4 single or 2 dual slot modules 7701FR 1RU Multiframe which holds up to 3 single or dual slot modules S7701FR Standalone enclosure</p>
<p>Ordering Options Rear Plate must be specified at time of order (Eg: Model +3RU)</p> <p>Rear Plate Suffix +3RU 3RU Rear Plate for use with 350FR, 7700FR-C or 7800FR Multiframe +1RU 1RU Rear Plate for use with 7701FR Multiframe +SA Standalone Enclosure Rear Plate</p>	

The Complete Solution Provider

