

7720ADC-A4, 7720ADC-A4-B

Quad Analog Audio to Dual AES Converter and Balanced AES Converter

The 7720ADC-A4 is a high-quality, 24-bit, analog to digital audio converter which provides digital conversion of 4 balanced analog audio channels and provides 2 unbalanced (or balanced from the 7720ADC-A4-B) AES/EBU channels out.

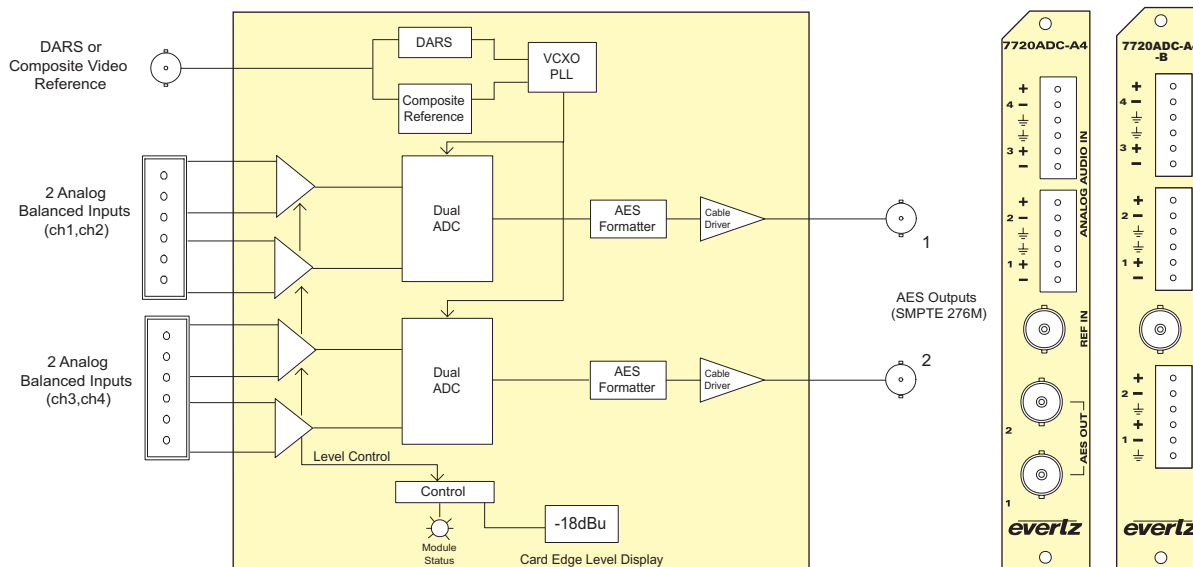
The sampling clock may free run at 48kHz or may be locked to either a DARS (Digital Audio Reference Signal) reference or composite video reference. Level control is provided via a card edge toggle switch. The input gain level can be read out from a card edge display for convenience.

The full scale digital signal can be calibrated to accommodate peak levels ranging from 8dBu to 27dBu with 0.5dB resolution.

The audio ADC features a card edge VU meter for quick confidence monitoring. Four separate level indicators are provided via bargraphs for quick validation of audio program material.

► Features & Benefits

- Auto detect composite video or DARS on the reference input
- 24-bit, high-quality analog to digital audio conversion
- Support for 4 channels of analog audio (2 AES/EBU)
- Local card edge display and control of input gain
- 0dBFS programmable from 8dBu to 27dBu
- A card edge display provides a 4 channel bargraph type level indicator display for confidence monitoring
- Automatic DC removal
- VistaLINK® capable for remote monitoring, control and configuration capabilities via SNMP; using VistaLINK® PRO, CP-2116E or CP-2232E Control Panels. VistaLINK® is available when modules are used with the 3RU 7800FR frame and a 7700FC VistaLINK® Frame Controller module in slot 1 of the frame



► Specifications

Analog Audio Input:

Number of Inputs: 4
 Type: Balanced analog audio
 Connector: Removable terminal strip
 Input Impedance: 10kΩ minimum (differential)
 Sampling Frequency: 48kHz (freerun or locked to the reference)
 Signal Level: 0dB FS = 8dBu to 27dBu (programmable via 0dB/+6dB jumper and card edge fine gain with -10dB +10dB range)
 Frequency Response: ±0.1dB (20Hz to 20kHz)
 SNR: 100dB with input at -1dB FS
 THD+N: < 0.001% (> 100dB) @ 20Hz to 20kHz, -1dB FS
 CMRR: > 100dB @ 1kHz
 Crosstalk: < -100dB @ 20Hz-20kHz
 Inter-channel Phase error: < 1°, 20Hz-20kHz

Reference Input:

Standard: NTSC (SMPTE 170M), PAL (ITU624-4), DARS
 Number of Inputs: 1
 Connector: BNC per IEC 61169-8 Annex A
 Signal Level: Video: Max: 2V p-p video (composite only)
 Min: Sync level 150m (composite only)
 DARS: SMPTE 276M, 1V p-p
 Frequency Lock Range: ±100ppm from nominal
 Input Impedance: High impedance
 Return Loss: > 25dB to 10MHz (with external 75Ω termination)

Electrical:

Voltage: +12V DC
 Power: 10W (nominal)
 EMI/RFI: Complies with FCC Part 15, Class A
 EU EMC Directive

Physical (number of slots):

350FR: 1
 7700FR-C: 1
 7800FR: 1

AES Audio Output:

Standard: SMPTE 276M single ended AES
 Number of Outputs: 2
 Connectors: BNC per IEC 61169-8 Annex A
 Resolution: 24-bits
 Sampling Rate: 48kHz
 Impedance: 75Ω unbalanced
 I/O Delay: 0.87ms

► Ordering Information

7720ADC-A4	Quad Analog Audio to Dual AES Converter
7720ADC-A4-B	Quad Analog Audio to Dual Balanced AES Converter

Ordering Options Rear Plate must be specified at time of order
 Eg: Model +3RU

Rear Plate Suffix

+3RU 3RU Rear Plate for use with 350FR, 7700FR-C or 7800FR Multiframe
+1RU 1RU Rear Plate for use with 7701FR Multiframe
+SA Standalone Enclosure Rear Plate

Accessories

7700FC VistaLINK® Frame Controller
CP-2116E-H Remote Control Panel
CP-2232E Remote Control Panel

Enclosures

350FR 3RU Portable Multiframe which holds up to 7 single slot modules
7700FR-C 3RU Multiframe which holds up to 15 single slot modules
7800FR 3RU Multiframe which holds up to 15 single slot modules
7801FR 1RU Multiframe which holds up to 4 single or 2 dual slot modules
7701FR 1RU Multiframe which holds up to 3 single or dual slot modules
S7701FR Standalone Enclosure