

7720AD-A4-2, 7720AD-B-A4-LTC, 7720AD4, 7720AD4-B

SD-SDI AES Audio De-embedders



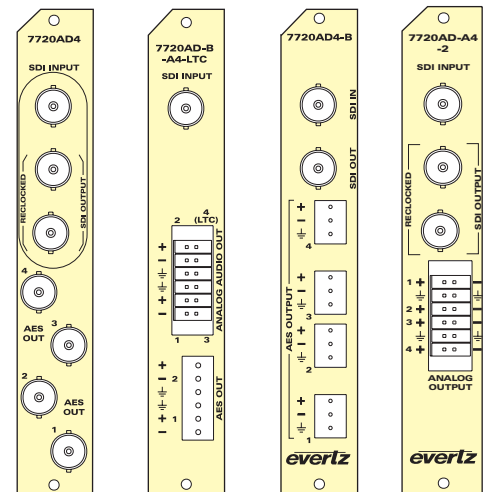
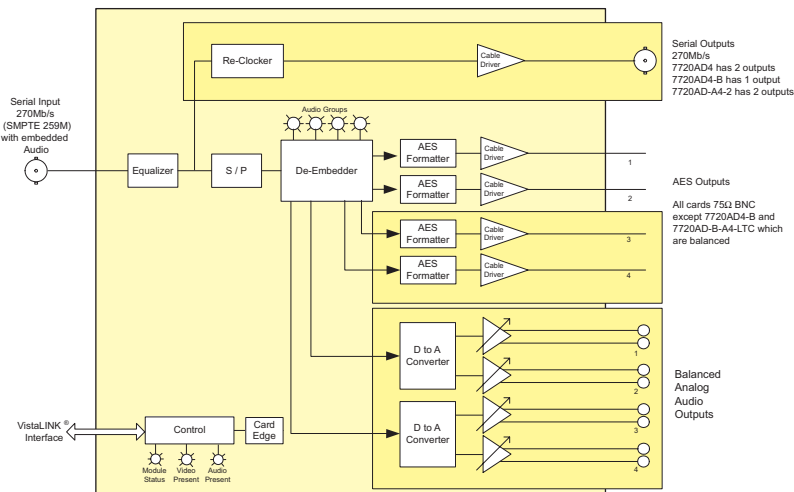
The 7720AD4 series Audio De-embedders extract embedded audio as specified by SMPTE 272M from a 270Mb/s serial digital video signal. The companion 7720AE4 Audio Embedder facilitates audio multiplexing at the source. The 7720AD4 is available in 4 different versions.

SMPTE 272M allows for up to four groups (4 channels/group) to be embedded within a serial digital signal. The 7720AD4 can de-embed two audio groups onto four unbalanced AES outputs. The 7720AD4-B can de-embed two audio groups onto four balanced AES outputs. The 7720AD-A4-2 can de-embed one audio group onto balanced analog audio outputs. The 7720AD-B-A4-LTC can de-embed one audio group onto two balanced AES outputs and 4 balanced analog audio outputs and can also be used as a VITC to LTC translator.

Features & Benefits

- Card edge LEDs indicating module status, video presence, selected audio group data is present
- LED indication for the presence of each of the 4 audio groups within the input video
- Audio group selection via card edge DIP switches
- Audio channel swapping selection via card edge DIP switches (not on 7720AD-A4-2)
- Analog audio output models have independent volume controls for each of the audio channel outputs
- 7720AD-B-A4-LTC has 4 balanced audio outputs or 3 audio outputs and one VITC to LTC translator output - selection of VITC reader line
- VistaLINK® capable for remote monitoring, control and configuration capabilities via SNMP; using VistaLINK® PRO, CP-2116E or CP-2232E Control Panels. VistaLINK® is available when modules are used with the 3RU 7800FR frame and a 7700FC VistaLINK® Frame Controller module in slot 1 of the frame (with exception of the 7720AD-B-A4-LTC)

Model	Audio Outputs		Video 270Mb/s SDI Re-clocked Outputs
	AES	Analog	
7720AD-A4-2		4	2
7720AD-B-A4-LTC	2 Balanced	3 +LTC or 4	--
7720AD4	4 Unbalanced	--	2
7720AD4-B	4 Balanced	--	1



Specifications

- Serial Video Input:**
 Standard: SMPTE 259M-C - 525 & 625 component
 Connector: 1 BNC per IEC 61169-8 Annex A
 Equalization: Automatic 300m @ 270Mb/s with Belden 8281 or equivalent cable
 Return Loss: > 13dB up to 270Mb/s
- Reclocked Serial Video Outputs:**
 Standard: Same as input
 Number of Outputs: 1 on 7720AD4-B, 2 on 7720AD4 and 7720AD-A4-2 & 0 on 7720AD-B-A4-LTC
 Connectors: BNC per IEC 61169-8 Annex A
 Signal Level: 800mV nominal
 DC Offset: 0V ±0.5V
 Rise and Fall Time: 700ps nominal
 Overshoot: < 10% of amplitude
 Wide Band Jitter: < 0.2 UI
- Unbalanced AES Audio Outputs (Not on -B versions):**
 Standard: SMPTE 276M, single ended synchronous AES
- Balanced AES Audio Outputs (B-versions only):**
 Standard: AES3-1992
 Number of Outputs: 2 on 7720AD-B-A4-LTC 4 on 7720AD4-B
 Connector: Terminal strip
 Sampling Rate: 48kHz
 Impedance: 110Ω balanced
 Dynamic Range: 20-bit
- Analog Audio Outputs (A4 Versions Only):**
 Number of Outputs: 4
 Type: Balanced analog audio
 Connector: Terminal strip
 Output Impedance: 66Ω balanced
 Sampling Frequency: 48kHz
- Signal Level:** 0dB FS =>8 to 24dBu into 10kΩ loads (user settable)
 0dB FS =>8 to 22dBu into 600Ω loads (user settable)
- Frequency Response:** < ±0.1dB (20Hz to 20kHz)
 THD+N: > 90dB RMS @ 1kHz, with 24dBu output > 100dB RMS @ 20Hz to 20kHz, with 24dBu output
 Crosstalk isolation: > 100dB RMS (20Hz to 20kHz)
- Electrical:**
 Voltage: +12V DC
 Power: 12W
 EMI/RFI: Complies with FCC Part 15, Class A EU EMC Directive
- Physical (number of slots):**
 350FR: 1
 7700FR-C: 1
 7800FR: 1

Ordering Information

7720AD-A4-2	SD-SDI AES Audio De-embedder with 4 balanced analog audio outputs
7720AD-B-A4-LTC	SD-SDI AES Audio De-embedder with 2 balanced AES outputs, 4 balanced analog audio outputs and VITC to LTC Translator
7720AD4	SD-SDI AES Audio De-embedder with 4 unbalanced AES outputs (2 audio groups)
7720AD4-B	SD-SDI AES Audio De-embedder with 4 balanced AES outputs (2 audio groups)

Accessories

- 7700FC**
- CP-2116E-H**
- CP-2232E**
- Enclosures**
- 350FR**
- 7700FR-C**
- 7800FR**
- 7801FR**
- 7701FR**
- S7701FR**

- VistaLINK® Frame Controller
- Remote Control Panel
- Remote Control Panel

- 3RU Portable Multiframe which holds up to 7 single slot modules
- 3RU Multiframe which holds up to 15 single slot modules
- 3RU Multiframe which holds up to 15 single slot modules
- 1RU Multiframe which holds up to 4 single or 2 dual slot modules
- 1RU Multiframe which holds up to 3 single or dual slot modules
- Standalone Enclosure

Ordering Options Rear Plate must be specified at time of order
 Eg: Model +3RU

Rear Plate Suffix

- +3RU** 3RU Rear Plate for use with 350FR, 7700FR-C or 7800FR Multiframe
- +1RU** 1RU Rear Plate for use with 7701FR Multiframe
- +SA** Standalone Enclosure Rear Plate