

7702DA4A-RF, 7703DA4A-RF

40MHz to 3GHz RF 1x4 Active Splitter



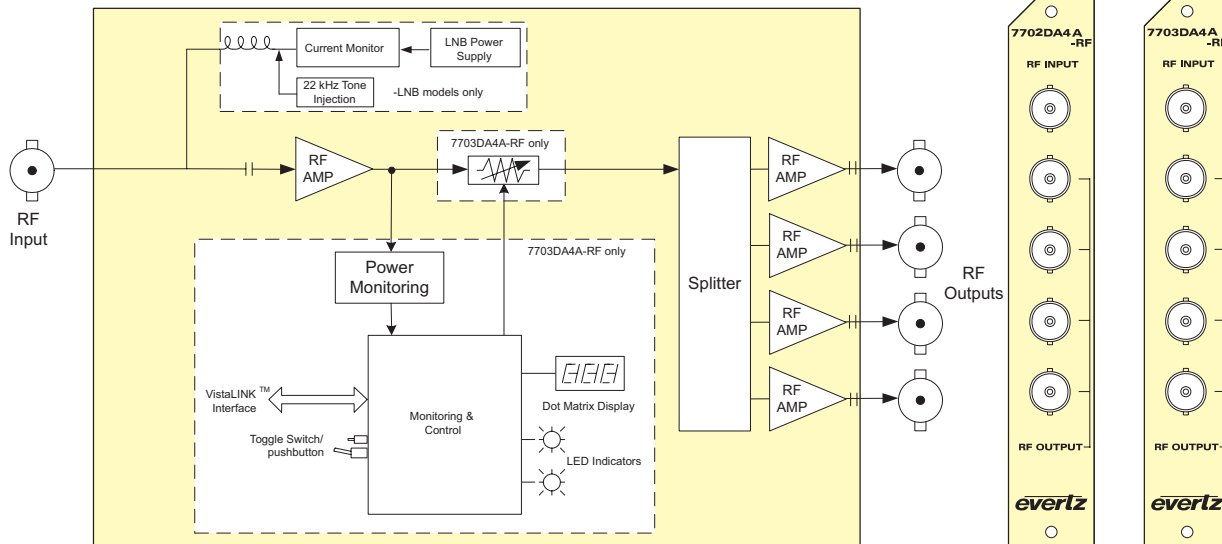
The 7702DA4A-RF & 7703DA4A-RF 1x4 Active Splitters provide amplification and distribution of RF signals from 40MHz to 3GHz. The 7702DA4A-RF & 7703DA4A-RF handle any RF input modulation format and provide 4 isolated outputs for further signal distribution. Typical applications include amplification and distribution of 950MHz-2150MHz L-Band and 70MHz-140MHz IF signals.

Monitoring of RF input power, card status and control of gain/attenuation is provided remotely via VistaLINK® capability on the 7703DA4A-RF version. Optional LNB power is available at the input connector on the 7703DA4A-RF version.

The 7702DA4A-RF & 7703DA4A-RF occupy one card slot and can be housed in either a 1RU frame which holds up to 3 modules, a 3RU frame which holds up to 15 modules, a 350FR which holds up to 3 modules or a standalone enclosure which holds 1 module.

►Features & Benefits

- Low noise amplification and distribution of RF signals from 40MHz to 3GHz
- Wideband frequency response for use with L-Band, 70/140MHz IF and off-air DTV signals
- Wide dynamic range (-10 to -60dBm)
- Output gain of -10dB to +20dB adjustable in 1/2dB steps on 7703DA4A-RF version
- AGC mode with adjustable target level on 7703 versions
- Fixed gain of 0dB on 7702DA4A-RF version
- Protocol independent - handles all modulation formats
- Input RF signal strength and LNB current monitoring indication on 7703DA4A-RF version
- Fully hot-swappable from front of frame
- Optional LNB power (@ +13 or +18V DC with built-in current limiting) and 22kHz tone for LO control on 7703DA4A-RF version
- Above option includes LNB current monitoring with adjustable alarm thresholds for monitoring LNB health
- Comprehensive signal and card status monitoring via four digit card edge display or remotely through SNMP and VistaLINK®
- VistaLINK® capability is available when modules are used with the 3RU 7800FR frame and a 7700FC VistaLINK® Frame Controller module in slot 1 of the frame



►Specifications

RF Input: Connector: 1 BNC per IEC 61169-8 Annex A 2 (F-Type and SMA optional) I/O Impedance: 75Ω (50Ω optional) Return Loss: > 13dB Input Freq Range: 40MHz-3GHz Input Power Range: -10 to -60dBm LNB Power: 13/18 VDC selectable Current limit: 400mA LO Control: 22kHz on/off	Return Loss: > 14dB Gain: 7702DA4A-RF: 0dB ± 2dB 7703DA4A-RF: -10dB to +20dB in 1/2 dB steps Intermodulation Products: < -50dBc at -15dBm out, 0dB gain	Freq Response (7702DA4A-RF): 40MHz - 200MHz ± 0.75dB 50MHz - 850MHz ± 0.75dB 950MHz - 2150MHz ± 0.75dB 40MHz - 3GHz ± 1.5dB Isolation (Output to Output): > 40dB
RF Output: Number of outputs: 4 Connector: BNC per IEC 61169-8 Annex A (F-Type and SMA optional) I/O Impedance: 75Ω (50Ω optional)	Freq Response (7703DA4A-RF): 40MHz - 200MHz ± 0.25dB 50MHz - 850MHz ± 0.5dB 950MHz - 2150MHz ± 0.75dB 40MHz - 3GHz ± 1dB Isolation (Output to Output): > 40dB	Physical (number of slots): 350FR: 1 7700FR-C: 1 7800FR: 1 Electrical: Voltage: +12V DC Power: 6W (Not including LNB power)

►Ordering Information

7702DA4A-RF	40MHz to 3GHz RF 1x4 Active Splitter, 75Ω BNC Connectors
7702DA4A-RF-B50	40MHz to 3GHz RF 1x4 Active Splitter, 50Ω BNC Connectors
7702DA4A-RF-S50	40MHz to 3GHz RF 1x4 Active Splitter, 50Ω SMA Connectors
7703DA4A-RF	40MHz to 3GHz RF 1x4 Active Splitter, with VistaLINK®, 75Ω BNC Connectors
7703DA4A-RF-B50	40MHz to 3GHz RF 1x4 Active Splitter, with VistaLINK®, 50Ω BNC Connectors
7703DA4A-RF-S50	40MHz to 3GHz RF 1x4 Active Splitter, with VistaLINK®, 50Ω SMA Connectors
7703DA4A-RF-LNB	40MHz to 3GHz RF 1x4 Active Splitter, with VistaLINK®, LNB Power, 75Ω BNC Connectors
7703DA4A-RF-LNB-B50	40MHz to 3GHz RF 1x4 Active Splitter, with VistaLINK®, LNB Power, 50Ω BNC Connectors
7703DA4A-RF-LNB-S50	40MHz to 3GHz RF 1x4 Active Splitter, with VistaLINK®, LNB Power, 50Ω SMA Connectors

Ordering Options	Rear Plate must be specified at time of order Eg: Model +3RU
Rear Plate Suffix	
+3RU	3RU Rear Plate for use with 350FR, 7700FR-C or 7800FR Multiframe
+1RU	1RU Rear Plate for use with 7701FR Multiframe
+SA	Standalone Enclosure Rear Plate
Connector Suffix	
+F75	75Ω, F-Type rear connector
Enclosures	
350FR	3RU Portable Multiframe which holds up to 7 single slot modules
7700FR-C	3RU Multiframe which holds up to 15 single slot modules
7800FR	3RU Multiframe which holds up to 15 single slot modules
7801FR	1RU Multiframe which holds up to 4 single or 2 dual slot modules
7701FR	1RU Multiframe which holds up to 3 single or dual slot modules
S7701FR	Standalone Enclosure