

7702DA8A-RF, 7702DA16-RF, 7703DA8A-RF, 7703DA16-RF

40MHz to 3GHz RF 1x8 and 1x16 Active Splitter



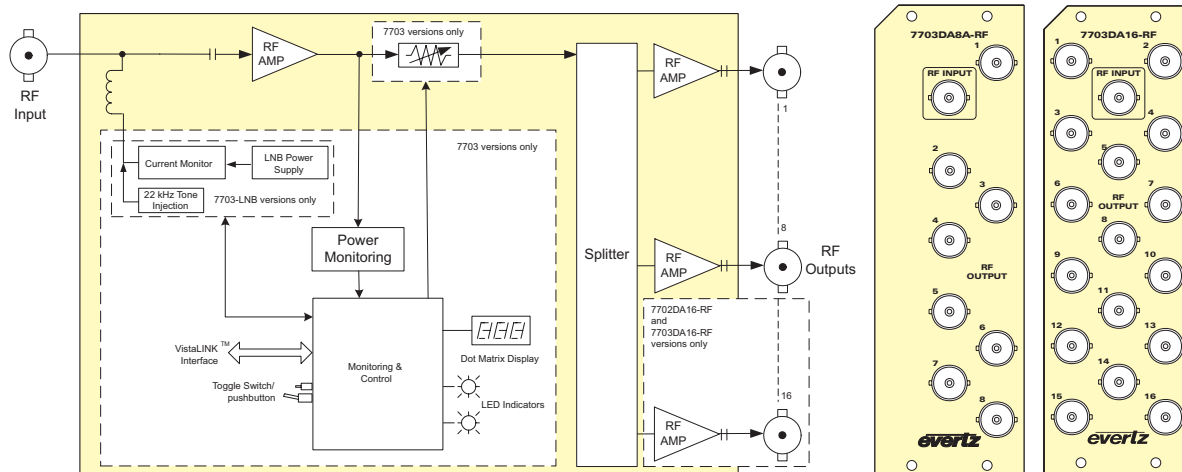
The 7702DA8A-RF, 7702DA16-RF, 7703DA8A-RF & 7703DA16-RF 1x8 and 1x16 Active Splitters provide amplification and distribution of RF signals from 40MHz to 3GHz. They handle any RF input modulation format and provide 8 or 16 isolated outputs for further signal distribution. Typical applications include amplification and distribution of 950MHz-2150MHz L-Band and 70MHz-140MHz IF signals.

Monitoring of RF input power, card status and control of gain/attenuation is provided remotely via VistaLINK® capability on the 7703 versions. Optional LNB power is available at the input connector on the 7703 versions.

The 7702DA8A-RF, 7702DA16-RF, 7703DA8A-RF & 7703DA16-RF occupy two card slots and can be housed in either a 1RU frame which holds up to 3 modules, a 3RU frame which holds up to 7 modules or a standalone enclosure which holds 1 module.

►Features & Benefits

- Low noise amplification and distribution of RF signals from 40MHz to 3GHz
- Wideband frequency response for use with L-Band, 70/140MHz IF and off-air DTV signals
- Wide dynamic range (-10 to -60dBm)
- Output gain of -10dB to +20dB adjustable in 1/2 dB step on 7703 versions
- AGC mode with adjustable target level on 7703 versions
- Fixed gain of 0dB on 7702 versions
- Protocol independent - handles all modulation formats
- Input RF signal strength monitoring on 7703 versions
- Fully hot-swappable from front of frame
- Optional LNB power (@ +13 or +18V DC with built-in current limiting) and 22kHz tone for LO control on 7703 versions
- 7703-LNB versions include LNB current monitoring with adjustable alarm thresholds for monitoring LNB health
- Comprehensive signal and card status monitoring via four digit card edge display or remotely through SNMP and VistaLINK® on 7703 versions
- VistaLINK® capability is available when 7703 modules are used with the 3RU 7800FR frame and a 7700FC VistaLINK® Frame Controller module in slot 1 of the frame



►Specifications

RF Input:		RF Output:		950MHz -2150MHz ± 1.5dB
Connector:	BNC per IEC 61169-8 Annex A (F-Type optional)	Number of outputs:	8 or 16	40MHz - 3GHz ± 2dB
I/O Impedance:	75Ω (50Ω optional)	Connector:	BNC per IEC 61169-8 Annex A (F-Type optional)	
Input Freq Range:	40MHz-3GHz	I/O Impedance:	75Ω (50Ω optional)	Freq Response (7703DA8/16-RF):
Input Power Range:	-10 to -60dBm	Return Loss:		40MHz - 200MHz ± 0.5dB
Return Loss:		Up to 2150MHz:	> 15dB	50MHz - 850MHz ± 0.75dB
7702 Versions:		Up to 3GHz:	> 13dB	950MHz -2150MHz ± 1.5dB
Up to 850MHz:	> 10dB	Gain:		40MHz - 3GHz ± 2.5dB
850MHz - 3GHz:	> 15dB	7702 Versions:	0dB ± 2dB	
7703 Versions:	> 15dB	7703 Versions:	-10dB to +20dB in 1/2 dB steps	Physical (number of slots):
LNB Power(-LNB option):		Intermodulation		350FR: 2
	13/18 VDC selectable	Products:	< -50dBc (@ -15dBm output power and 0dB gain)	7700FR-C: 2
Current Limit:	400mA			7800FR: 2
LO Control:	22kHz on/off	Freq Response (7702DA8/16-RF):		Electrical:
		40MHz - 200MHz	± 0.5dB	Voltage: +12V DC
		50MHz - 850MHz	± 0.5dB	Power: 8W (not including LNB power)

►Ordering Information

7702DA8A-RF	40MHz to 3GHz RF 1x8 Active Splitter, 75Ω BNC Connectors
7702DA8A-RF-B50	40MHz to 3GHz RF 1x8 Active Splitter, 50Ω BNC Connector
7703DA8A-RF	40MHz-3GHz RF 1x8 Active Splitter with VistaLINK® 75Ω BNC Connectors
7703DA8A-RF-B50	40MHz-3GHz RF 1x8 Active Splitter with VistaLINK® LNB Power, 50Ω BNC Connectors
7703DA8A-RF-LNB	40MHz-3GHz RF 1x8 Active Splitter with VistaLINK® LNB Power, 50Ω BNC Connectors
7703DA8A-RF-LNB-B50	40MHz-3GHz RF 1x8 Active Splitter with VistaLINK® LNB Power, 50Ω BNC Connectors
7702DA16-RF	40MHz to 3GHz RF 1x16 Active Splitter, 75Ω BNC Connectors
7702DA16-RF-B50	40MHz to 3GHz RF 1x16 Active Splitter, 50Ω BNC Connectors
7703DA16-RF	40MHz-3GHz RF 1x16 Active Splitter with VistaLINK® 75Ω BNC Connectors
7703DA16-RF-B50	40MHz-3GHz RF 1x16 Active Splitter with VistaLINK® LNB Power, 50Ω BNC Connectors
7703DA16-RF-LNB	40MHz-3GHz RF 1x16 Active Splitter with VistaLINK® LNB Power, 50Ω BNC Connectors
7703DA16-RF-LNB-B50	40MHz-3GHz RF 1x16 Active Splitter with VistaLINK® LNB Power, 50Ω BNC Connectors

Ordering Options	Rear Plate must be specified at time of order Eg: Model +3RU
Rear Plate Suffix	
+3RU	3RU Rear Plate for use with 350FR, 7700FR-C or 7800FR Multiframe
+1RU	1RU Rear Plate for use with 7701FR Multiframe
+SA	Standalone Enclosure Rear Plate
Connector Suffix	
+F75	75Ω, F-Type rear connector
Enclosures	
350FR	3RU Portable Multiframe which holds up to 7 single slot modules
7700FR-C	3RU Multiframe which holds up to 15 single slot modules
7800FR	3RU Multiframe which holds up to 15 single slot modules
7801FR	1RU Multiframe which holds up to 4 single or 2 dual slot modules
7701FR	1RU Multiframe which holds up to 3 single or dual slot modules
S7701FR	Standalone Enclosure