

# 7708VT-4

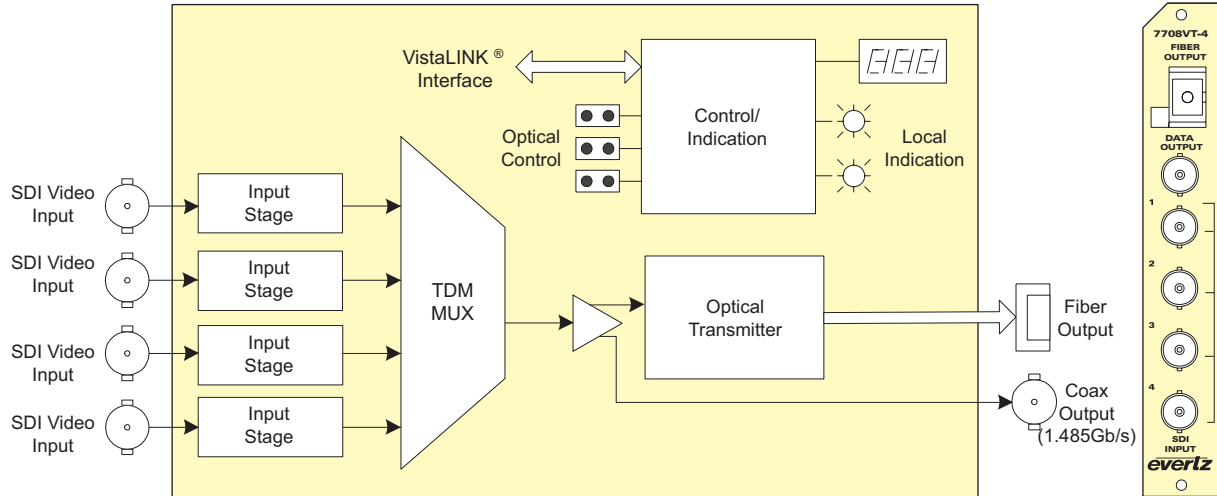
## Quad SDI/ASI Mux Transmitter



### ► Features & Benefits

- Single card TDM multiplexer for four synchronous or asynchronous 270Mb/s SDI, SDTi or DVB-ASI video signals
- Output is compatible with SMPTE 292 reclocking devices
- Signal transport over fiber uninterrupted by loss of any SDI, SDTi or DVB-ASI input feed
- Transparently passes embedded AES or any other data in the horizontal or vertical ancillary data space
- Comprehensive signal and card status monitoring via four digit card edge display or remotely through SNMP and VistaLINK®
- Occupies one card slot and can be housed in either a 1RU frame which will hold up to 3 modules, a 3RU frame which will hold up to 15 modules, 3RU portable frame that holds up to 7 modules or a standalone frame which will

- hold 1 module
- VistaLINK® capability is available when modules are used with the 3RU 7800FR or 350FR portable frame and a 7700FC VistaLINK® Frame Controller module in slot 1 of the frame
- Automatic coaxial input equalization up to 250m at 270Mb/s (Belden 8281)
- Fully hot-swappable from front of frame with no fiber disconnect/reconnect required
- Supports single-mode and multi-mode fiber optic cable
- Optical output wavelengths of 1310nm, 1550nm, and up to sixteen CWDM wavelengths (ITU-T G.694.2 compliant)
- DWDM wavelengths (ITU-T G.694.1 compliant) also available
- SC/PC, ST/PC, FC/PC connector options



### ► Specifications

#### Serial Video Input:

Standard: SMPTE 259M-C, SMPTE 305M, DVB-ASI  
 Number of Inputs: 4 independent SDI or DVB-ASI 270Mb/s signals  
 Connector: 4 BNC per IEC 61169-8 Annex A  
 Equalization: Automatic to 250m @ 270Mb/s with Belden 8281 or equivalent cable  
 Return Loss: > 15dB up to 270Mb/s

#### Optical Output:

Number: 1  
 Connector: Female SC/PC, ST/PC or FC/PC  
 Return Loss: > 14dB  
 Rise and Fall Time: 200ps nominal  
 Wideband Jitter: < 0.2 UI  
 Fiber Size: 9µm core/125µm overall  
 Bitrate: 1.485Gb/s

#### Wavelengths:

Standard: 1310nm, 1550nm (nominal)  
 CWDM: 1270nm to 1610nm (See Ordering Information)  
 DWDM: C-Band (ITU-T G.694.1 compliant) (See Ordering Information)

#### Output Power:

1310nm FP(Standard): -7dBm ±1dBm  
 1550nm & CWDM DFB: 0dBm ±1dBm  
 DWDM DFB: 7dBm ±1dBm

#### Data Output:

Number of Outputs: 1  
 Connector: BNC per IEC 61169-8 Annex A  
 Impedance: 75Ω nominal  
 Signal Level: 800mV nominal  
 DC Offset: 0V ±0.5V  
 Rise/Fall Time: <270ps nominal  
 Overshoot: < 10% of amplitude  
 Return Loss: > 12dB up to 1.5GHz  
 Wideband Jitter: < 0.2UI (reclocked)

#### Electrical:

Voltage: +12V DC  
 Power: 10W (Non DWDM)  
 13W (DWDM)

#### Physical (number of slots):

350FR: 1  
 7700FR-C: 1  
 7800FR: 1

#### Compliance:

Electrical Safety: CSA Listed to UL 60065-03, IEC 60065  
 Complies with CE Low voltage Directive  
 Laser Safety: Class 1 laser product  
 Complies with 24 CFR 1040.10 and 1040.11  
 IEC 60825-1  
 EMI/RFI: Complies with FCC Part 15, Class A  
 EU EMC directive

### ► Ordering Information

**7708VT13-4** Quad SDI/ASI Mux Fiber Transmitter, 1310nm FP, VistaLINK®  
**7708VT15-4** Quad SDI/ASI Mux Fiber Transmitter, 1550nm DFB, VistaLINK®

*For CWDM, please refer to the end of the fiber section for ordering information*  
**7708VTxxx-4** Quad SDI/ASI Mux Fiber Transmitter, CWDM Laser, VistaLINK®

*For DWDM, please refer to the end of the fiber section for ordering information*  
**7708VTDxxx-4** Quad SDI/ASI Mux Fiber Transmitter, DWDM Laser, VistaLINK®

**Connector Suffix**  
**+SC** SC/PC  
**+ST** ST/PC  
**+FC** FC/PC

**Enclosures**  
**350FR** 3RU Portable Multiframe which holds up to 7 single slot modules  
**7700FR-C** 3RU Multiframe which holds up to 15 single slot modules  
**7800FR** 3RU Multiframe which holds up to 15 single slot modules  
**7701FR** 1RU Multiframe which holds up to 3 single or dual slot modules  
**S7701FR** Standalone Enclosure

**Ordering Options** Rear Plate and Fiber Connector must be specified at time of order  
 Eg: Model +SC +3RU

#### Rear Plate Suffix

**+3RU** 3RU Rear Plate for use with 350FR, 7700FR-C or 7800FR Multiframe  
**+1RU** 1RU Rear Plate for use with 7701FR Multiframe  
**+SA** Standalone Enclosure Rear Plate