

7708LT

Wideband RF Fiber Transmitter with VistaLINK® Monitoring and SmartMON™

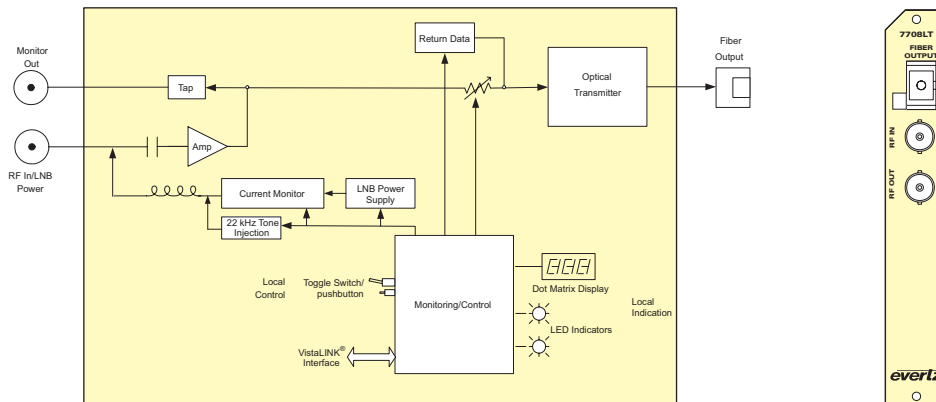


The 7708LT is a fiber optic transmitter for RF signals in the extended L-Band or wider frequency range. It accepts a single RF input on coaxial cable and provides a single output for optical transmission. An RF monitor output provides a convenient means of obtaining peak satellite signal strength, or additional signal distribution.

Gain may be adjusted manually or managed automatically via AGC. With SmartMON™, incoming RF signal strength, LNB current, and other data are relayed over the fiber output for monitoring through SNMP/VistaLINK® (requires SmartMON™ capable companion fiber receiver) 13/18V DC adjustable LNB power with 22kHz tone is also provided.

► Features & Benefits

- Extended frequency response for extended L-Band, off-air DTV, and other signals
- Protocol independent design - transports all modulation formats
- LNB power with selectable 13/18V DC
- LNB current limit & short circuit protection
- LNB current monitoring for advance warning of LNB failure
- 22kHz tone on/off for LNB local oscillator control
- RF monitor output for signal peaking and signal distribution
- Manual gain and AGC modes
- Wide range adjustable gain in 0.5dB steps for fine tuning signal levels and optimizing CNR
- Available with 1310nm, CWDM (ITU-T G.694.2) and +11dBm high power DWDM (ITU-T G.694.1) laser options
- SmartMON™ capability provides remote status monitoring via SNMP without a separate data connection
- VistaLINK® capability is available for monitoring and control when modules are used in a 3RU 350FR, 7800FR frame and a 7700FC VistaLINK® frame controller is installed in slot 1 of the frame
- Fiber link provides electrical isolation between antenna and facility, mitigating ground loop and lightning issues
- The 7708LT occupies one card slot and can be housed in a 1RU frame that will hold up to 3 modules, a 3RU frame that will hold up to 15 modules, a 350FR which will hold up to 7 modules or a standalone enclosure which holds 1 module



► Specifications

<p>RF Input: Number of Inputs: 1 Connector: BNC per IEC 61169-8 Annex A (F-Type and SMA Optional) Input Impedance: 75Ω (50Ω Optional) Frequency Range: 1310nm FP laser: 850MHz - 3000MHz CWDM DFB laser: 120MHz - 3000MHz Return Loss: 120MHz - 2.3GHz: > 14dB 2.3GHz - 3GHz: > 12dB Input Power Range: -10dBm to -60dBm Gain Range: 0 to +30dBm in 0.5dB steps IMD: < -55dBc at -15dBm input and 0dB gain Input IP3: +10dBm LNB Power: Voltage: 13V DC, 18V DC, off (selectable) Current: 400mA Protection: Short Circuit, current limited LO Control: 22kHz on/off (selectable)</p> <p>RF Monitor Output: Number of Outputs: 1 Connector: BNC per IEC 61169-8 Annex A</p>	<p>Output Impedance: 75Ω (50Ω Optional) Return Loss: > 15dB Frequency Range: 120MHz to 3000MHz Output Level: Within -2.0dB of input signal</p> <p>Optical Output: Number of Outputs: 1 Connector: Female SC/UPC, ST/UPC, FC/UPC, SC/APC, FC/APC Operating Wavelength: Standard: 1310nm CWDM: 1270-1610nm DWDM: C-Band (ITU G.694.1 compliant) Output Power: Standard 1310nm: +2dBm CWDM: +2dBm DWDM: +11dBm</p> <p>RF System Performance 7708LT+7708LRA pair: Frequency Range: 950 - 2150MHz: ± 1.5dB 120MHz - 3GHz: ± 2dB +/-0.25dB on 36MHz BW</p>	<p>RF System Performance 7708LT+7708LR-H pair: Frequency Response: 950MHz - 2150MHz: ± 1.5dB 120MHz - 2.3GHz: ± 2dB +/-0.25dB on 36MHz BW</p> <p>Electrical: Voltage: +12V DC Power: 6W max excluding LNB Power</p> <p>Physical (number of slots): 350FR: 1 7700FR-C: 1 7800FR: 1</p> <p>Compliance: Laser safety: Class 1 laser product Complies with 24 CFR 1040.10 and 1040.11 IEC 60825-1 EMI/RFI: Complies with FCC Part 15, Class A EU EMC directive</p>
----------------------------------------------------------------------------------------------------------------------------------------------------------------------------------------------------------------------------------------------------------------------------------------------------------------------------------------------------------------------------------------------------------------------------------------------------------------------------------------------------------------------------------------------------------------------------------------------------------------------------------------------------------------------------------------------------------------------------------------------------------------------------------------------------------------------------------------------------------------------------------------------------------------------------------------------------------------------------------------------------------------------------------------------------------------------------------------------------------------------------------------	--------------------------------------------------------------------------------------------------------------------------------------------------------------------------------------------------------------------------------------------------------------------------------------------------------------------------------------------------------------------------------------------------------------------------------------------------------------------------------------------------------------------------------------------------------------------------------------------------------------------------------------------------------------------------------------------------------------------------------------------------------------------------------------------------------------------------------------------------------------------------------------------------------------------------------------------	--------------------------------------------------------------------------------------------------------------------------------------------------------------------------------------------------------------------------------------------------------------------------------------------------------------------------------------------------------------------------------------------------------------------------------------------------------------------------------------------------------------------------------------------------------------------------------------------------------------------------------------------------------------------------------------------------------------------------------------------------------------------------------------------------

► Ordering Information

7708LT13	Wideband RF Fiber Transmitter, 1310nm FP laser, SmartMON™, VistaLINK®
7708LT13-B50	Wideband RF Fiber Transmitter, 1310nm FP laser, 50Ω BNC Connectors, SmartMON™, VistaLINK®
7708LT13-S50	Wideband RF Fiber Transmitter, 1310nm FP laser, 50Ω SMA Connectors, SmartMON™, VistaLINK®
<i>For CWDM, please refer to the end of the fiber section for ordering information</i>	
7708LTxx	Wideband RF Fiber Transmitter, CWDM DFB laser, SmartMON™, VistaLINK®
7708LTxx-B50	Wideband RF Fiber Transmitter CWDM DFB laser, 50Ω BNC Connectors, SmartMON™, VistaLINK®
7708LTxx-S50	Wideband RF Fiber Transmitter CWDM DFB laser, 50Ω SMA Connectors, SmartMON™, VistaLINK®
<i>For DWDM, please refer to the end of the fiber section for ordering information</i>	
7708LTDxxx	Wideband RF Fiber Transmitter, DWDM DFB laser, BNC Connectors, SmartMON™, VistaLINK®
7708LTDxxx-B50	Wideband RF Fiber Transmitter, DWDM DFB laser, 50Ω BNC Connectors, SmartMON™, VistaLINK®
7708LTDxxx-S50	Wideband RF Fiber Transmitter, DWDM DFB laser, 50Ω SMA Connectors, SmartMON™, VistaLINK®

Connector Suffix	
+SC	SC/UPC
+AP+SC	SC/APC (Angle polished)
+ST	ST/UPC
+FC	FC/UPC
+AP+FC	FC/APC (Angle polished)
+F75	75Ω, F-Type rear connector

Rear Plate Suffix	
+3RU	3RU Rear Plate for use with 350FR, 7700FR-C or 7800FR Multiframe
+1RU	1RU Rear Plate for use with 7701FR Multiframe
+SA	Standalone Enclosure Rear Plate

Enclosures	
350FR	3RU Portable Multiframe which holds up to 7 single slot modules
7700FR-C	3RU Multiframe which holds up to 15 single slot modules
7800FR	3RU Multiframe which holds up to 15 single slot modules
7801FR	1RU Multiframe which holds up to 4 single or 2 dual slot modules
7701FR	1RU Multiframe which holds up to 3 single or dual slot modules
S7701FR	Standalone Enclosure

Ordering Options Rear Plate and Fiber Connector must be specified at time of order
 Eg. Model +3RU +SC

*Note: 75Ω BNC Connectors are standard
 For companion receiver see the 7708LRA/7708LR-H catalog page*