



The 7708LRA/7708LR-H are VistaLINK® -capable fiber optic receivers for extended L-Band and other signals. They accept a fiber optic input from a companion transmitter and provide an electrical output signal. Monitoring and control of card status is provided locally at the card edge and remotely via VistaLINK®. SmartMON™ capability allows inband monitoring data sent by a companion SmartMON™ enabled transmitter to be displayed locally or via

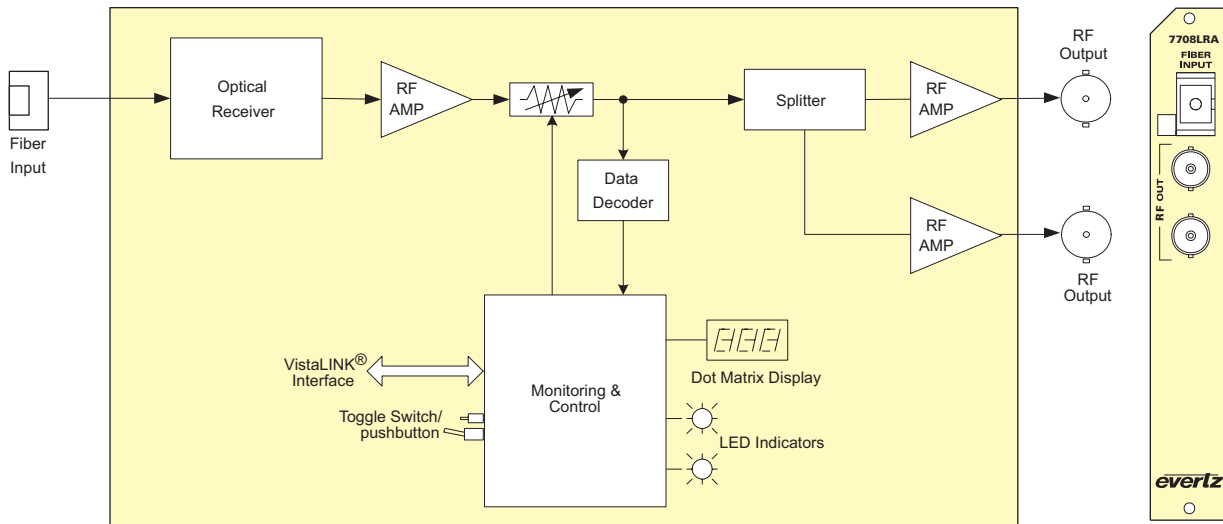
SNMP/VistaLINK®.

The 7708LRA/7708LR-H occupies one card slot and can be housed in a 1RU frame that will hold up to 3 modules, a 3RU frame that will hold up to 15 modules, a 350FR portable frame that will hold up to 7 modules or a standalone enclosure which holds 1 module.

►Features & Benefits

- Protocol transparent - receives all video, audio and data modulation formats
- Supports manual, automatic (AGC), and intelligent (IGC) gain control modes
- IGC mode provides simple automatic compensation for fiber loss while output level tracks input level at SmartMON™ capable fiber transmitter
- Two buffered RF outputs for extra signal distribution or monitoring functions
- RF output independent of optical loss (within AGC/IGC gain range)
- Available with BNC, SMA or F-Type connector options
- Wide range optical input (1270nm to 1610nm)
- Supports single-mode and multi-mode fiber optic cable (contact factory for multi-mode applications)

- Available with SC/UPC, ST/UPC, FC/UPC, SC/APC & FC/APC connector options
- Wide range adjustable gain in 0.5dB steps for fine-tuning signal levels
- 7708LR-H with high-sensitivity input for long-haul applications
- Fully hot-swappable from front of frame
- Comprehensive signal and card status monitoring via four digit card edge display or remotely through SNMP and VistaLINK®
- VistaLINK® capability is available when modules are used with the 3RU 7800FR or 350FR portable frame and a 7700FC VistaLINK® Frame Controller module in slot 1 of the frame
- SmartMON™ capability for display of monitored parameters from companion SmartMON™ capable fiber transmitters



►Specifications

RF Outputs:	AGC mode:	-10 to -40dBm (adjustable, maintainable within available gain range)	Optical Sensitivity:
Number of Outputs: 2	Available Gain:	7708LRA: -10 to +31.5dB in 0.5dB steps	7708LRA: -14dBm @ 35dB S/N on a 36MHz carrier
Connector: BNC per IEC 61169-8 Annex A (F-type Optional)	7708LR-H: -10 to +28dB in 0.5dB steps	7708LR-H: -10 to +28dB in 0.5dB steps	7708LR-H: -20dBm @ 35dB S/N on a 36MHz carrier
I/O Impedance: 75Ω (50Ω optional) (See Ordering Information)	See System Performance Specifications of the chosen companion transmitter for more details.		Electrical:
Frequency Range:			Voltage: +12V DC
7708LRA: 120MHz - 3GHz			Power: 6W
7708LR-H: 120MHz - 2.3GHz			EMI/RFI: Complies with FCC Part 15, Class A EU EMC Directive
Return Loss:	Optical Input:		
120MHz - 2.3GHz: > 15dB	Number of inputs: 1		Physical (number of slots):
2.3GHz - 3GHz: > 12dB	Connector: Female SC/UPC, ST/UPC, FC/UPC, SC/APC, FC/APC		350FR: 1
Output IP3: +28dBm	Operating Wavelength: 1270nm-1610nm		7700FR-C: 1
IMD: < -55dBc at -3dBm output and 25dB gain	Maximum Input Power:		7800FR: 1
Output Signal Level:	7708LRA: +3dBm		
Manual Gain: -10 to -65dBm (depending on input signal level, gain setting and optical loss)	7708LR-H: -7dBm		

►Ordering Information

7708LRA	L-Band Fiber Receiver with VistaLINK® and SmartMON™
7780LRA-B50	L-Band Fiber Receiver with VistaLINK® and SmartMON™, 50Ω BNC
7780LRA-S50	L-Band Fiber Receiver with VistaLINK® and SmartMON™, 50Ω SMA connectors
7708LR-H	High Sensitivity L-Band Fiber Receiver with VistaLINK® and SmartMON™
7708LR-H-B50	High Sensitivity L-Band Fiber Receiver with VistaLINK® and SmartMON™, 50Ω BNC connectors
7708LR-H-S50	High Sensitivity L-Band Fiber Receiver with VistaLINK® and SmartMON™, 50Ω SMA connectors

- +FC** FC/UPC
 - +AP+FC** FC/APC (Angle polished)
 - +F75** 75Ω F-type connectors
- Note: 75Ω BNC connectors are standard*

Rear Plate Suffix

- +3RU** 3RU Rear Plate for use with 350FR, 7700FR-C or 7800FR Multiframe
- +1RU** 1RU Rear Plate for use with 7701FR Multiframe
- +SA** Standalone Enclosure Rear Plate

Ordering Options Rear Plate and Fiber Connector must be specified at time of order
Eg. Model +3RU +SC

Connector Suffix

- +SC** SC/UPC
- +AP+SC** SC/APC (Angle polished)
- +ST** ST/UPC

Enclosures

- 350FR** 3RU Portable Multiframe which holds up to 7 single slot modules
- 7700FR-C** 3RU Multiframe which holds up to 15 single slot modules
- 7800FR** 3RU Multiframe which holds up to 15 single slot modules
- 7801FR** 1RU Multiframe which holds up to 4 single or 2 dual slot modules
- 7701FR** 1RU Multiframe which holds up to 3 single or dual slot modules
- S7701FR** Standalone Enclosure